



SUA-110H28x-x-S175

SHELL : _____

COLOR : _____

Blank : BRASS
I : SPCC

Black : B
White : W

SPECIFICATIONS

Electrical:

- 1.Current Rating: 1.5A / contact terminal
- 2.Voltage Rating: 30V DC
- 3.Contact Resistance: 30 mΩ Max
- 4.Dielectric Withstanding Voltage: 500 V AC AT Sec Level
- 5.Insulation Resistance: 1,000 MΩ Min

Mechanical:

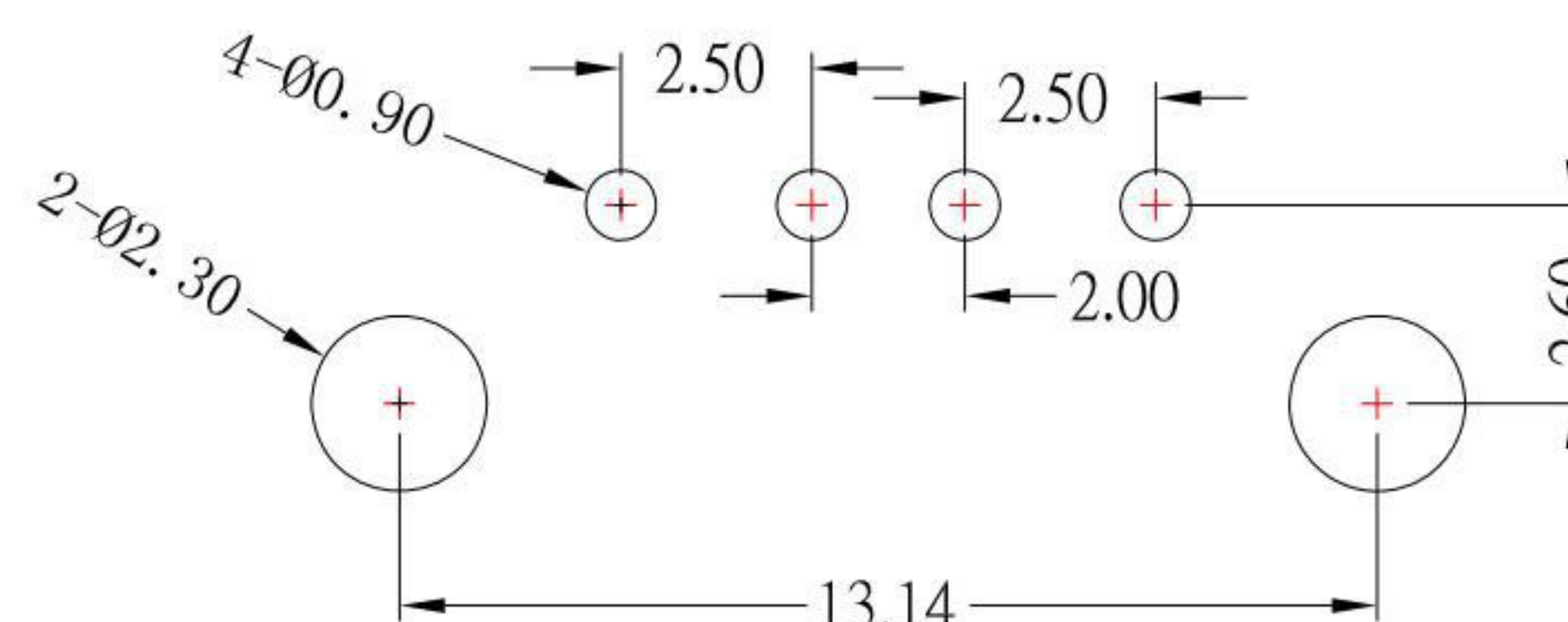
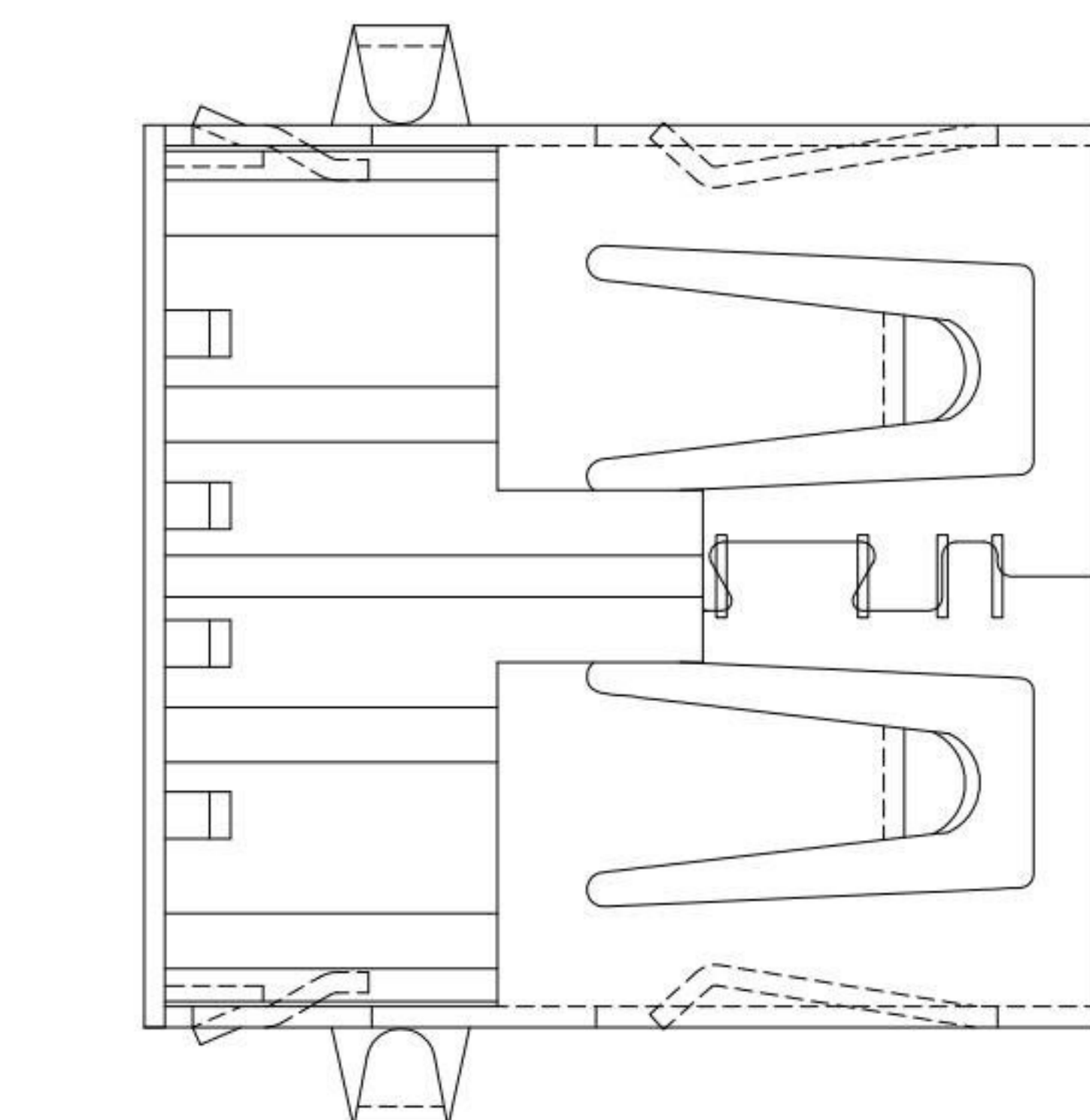
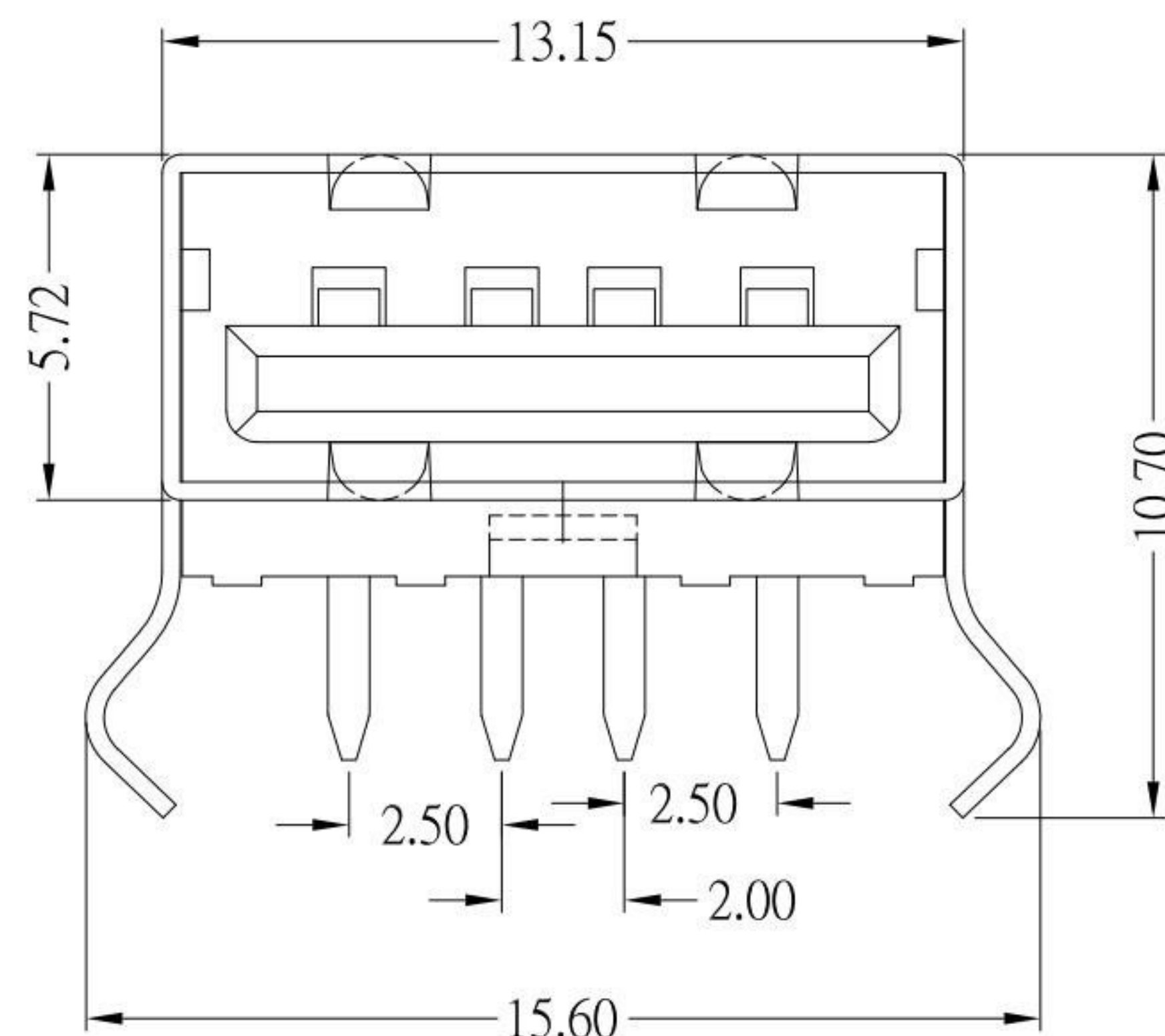
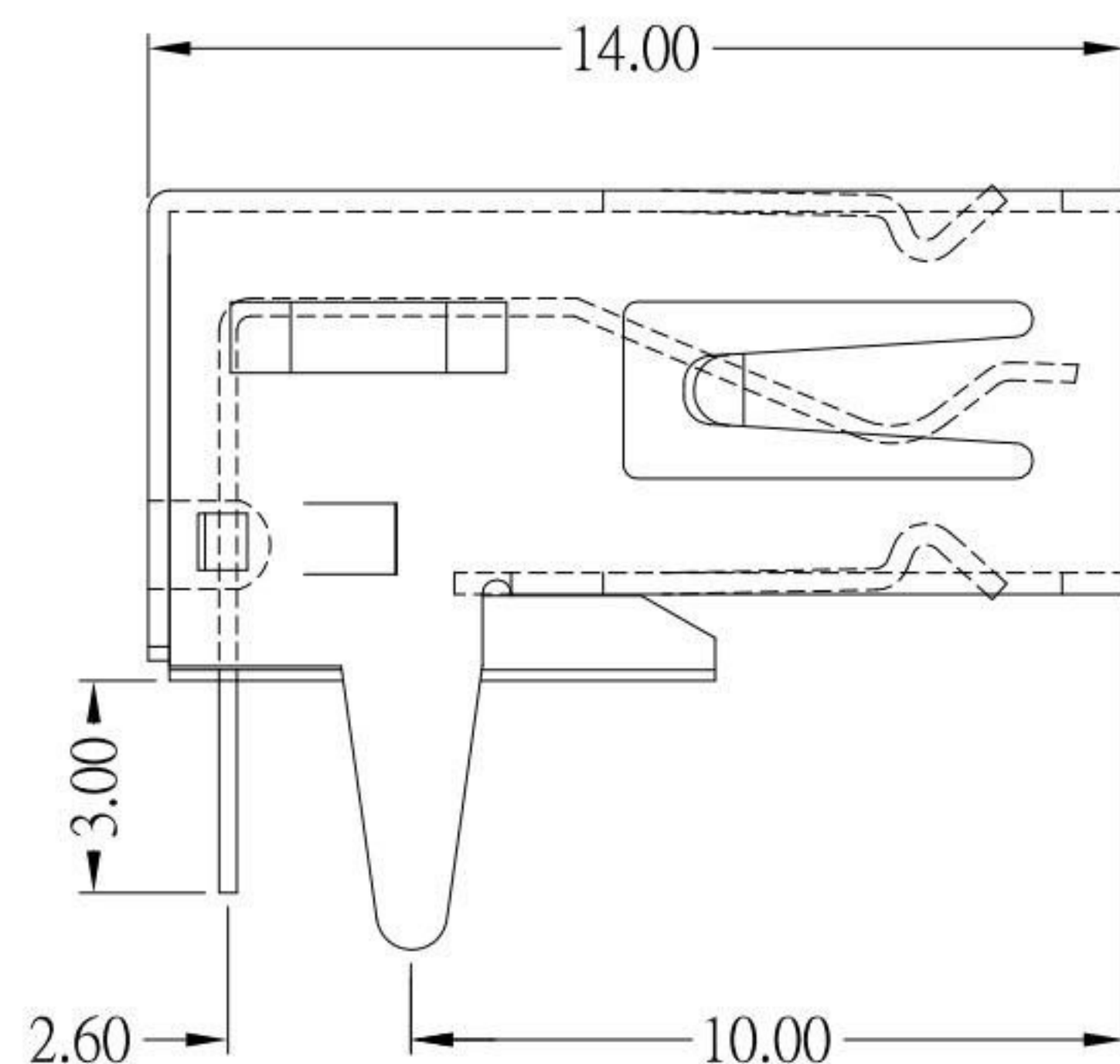
- 1.Connector Mate and Unmate Force
Mate force: 3.57 kgf (Max)
Unmate force: 1.02 kgf (Min)
- 2.Terminal Retention: 1.2 kgf (Min)

Material:

- 1.Housing: PBT,UL 94V-0
- 2.Contact: BRASS
- 3.Shell: BRASS / SPCC

Finish:

- 1.Contact: Plated Gold in Mating Area ;
Tin Plated on Solder Balls ;
Nickel under plated overall
- 2.Shell: Nickel under Plated surface layer

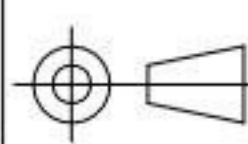


P.C.B LAYOUT MOUNTING PATTERN

KSD 科斯达电子科技有限公司
SWITCH CONNECTOR 全球 互联网 零组件 制造企业
KSD ELECTRONIC TECHNOLOGY Co., LTD

TOLERANCE UNLESS OTHERWISE STATED :
Up to 5 ±0.2
Above 5 ~ 15 ±0.3
Above 15 ~ 30 ±0.4
Above 30 ~ 50 ±0.5
Angle ±0.3°

3RD. ANGEL'S



UNITS MM

DRAWN BY: Jack Lu DATE: 06/15/15
CHECKED BY: Jacky Chen DATE: 06/15/15
APPROVED BY: Tony Kao DATE: 06/15/15

MAT'L		TITLE	CONNECTOR
FINISH		MODLE	USB AF DIP 90度 無捲邊膠芯反向
SCALE	1 : 1	DWG NO.	SUA-110H28x-x-S175
SHEET NO.	1 of 1	PART NO.	SUA-110H28x-x-S175

2	更新Housing材質	Jack	061515
1	更新Housing材質	Jack	061215
ITEM NO.	DESCRIPTION	DRAWN	DATE

SIZE A4
VER R2