



SUA-110H3-x-S221

COLOR :

Black: B
White : W

**SPECIFICATIONS**

**Electrical:**

- 1.Contact Resistance: 30 milliohms Max
- 2.Dielectric Withstanding Voltage:  
500 V AC AT Sec Level
- 3.Insulation Resistance: 1,000 MEGA ohms Min

**Mechanical:**

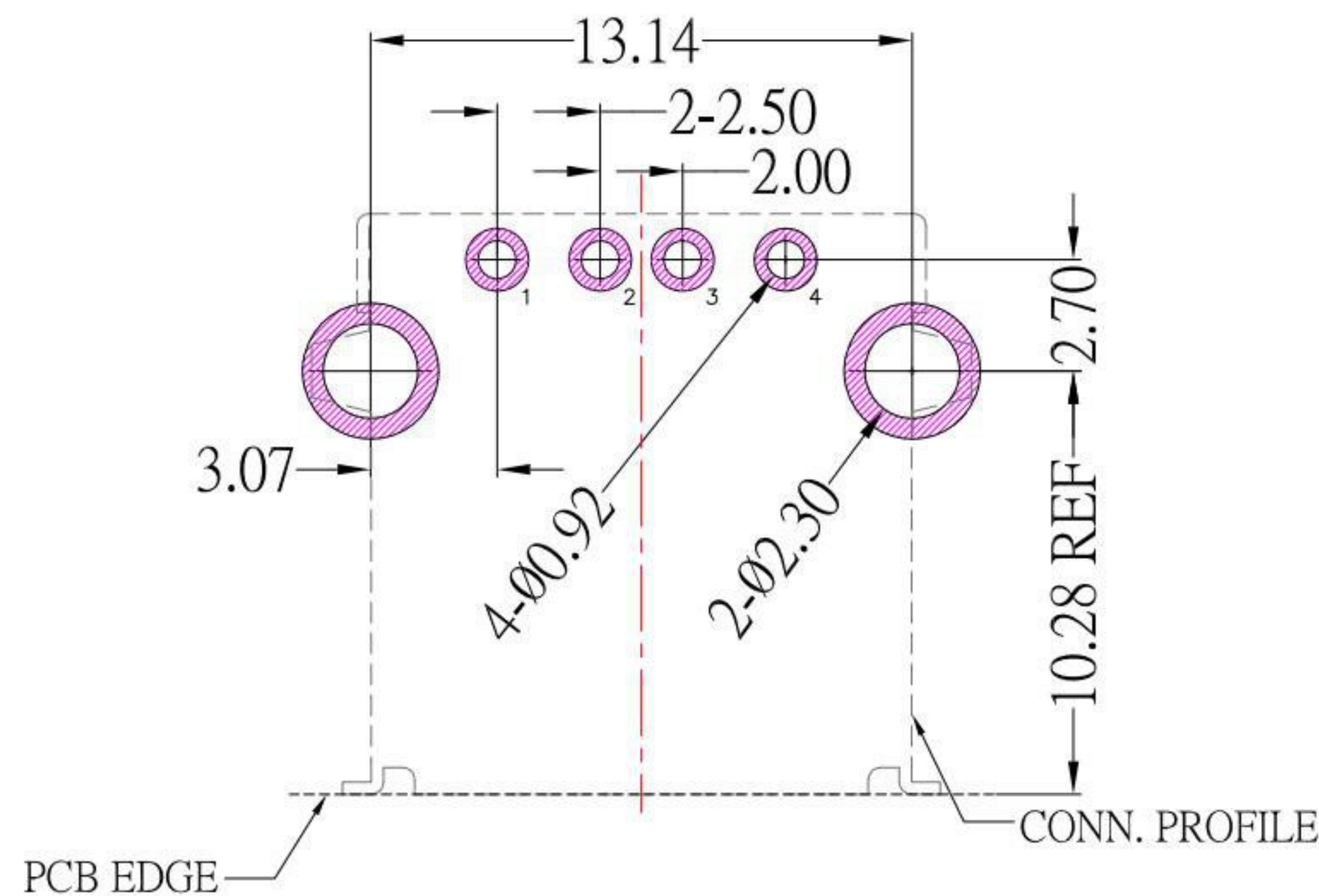
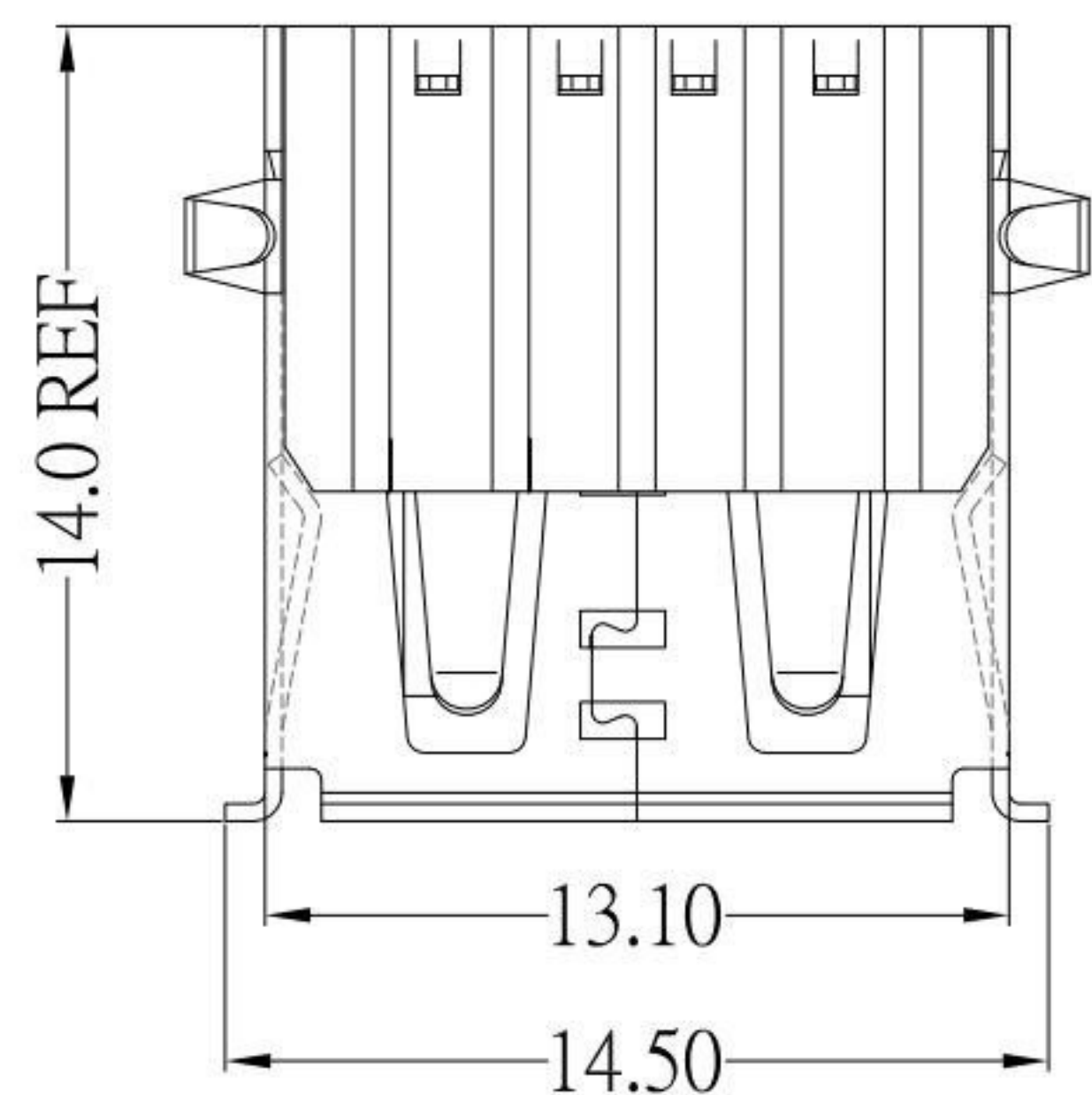
- 1.Connector Mate and Unmate Force  
Mate force: 3.57 kgf (Max)  
Unmate force: 1.02 kgf (Min)

**Material:**

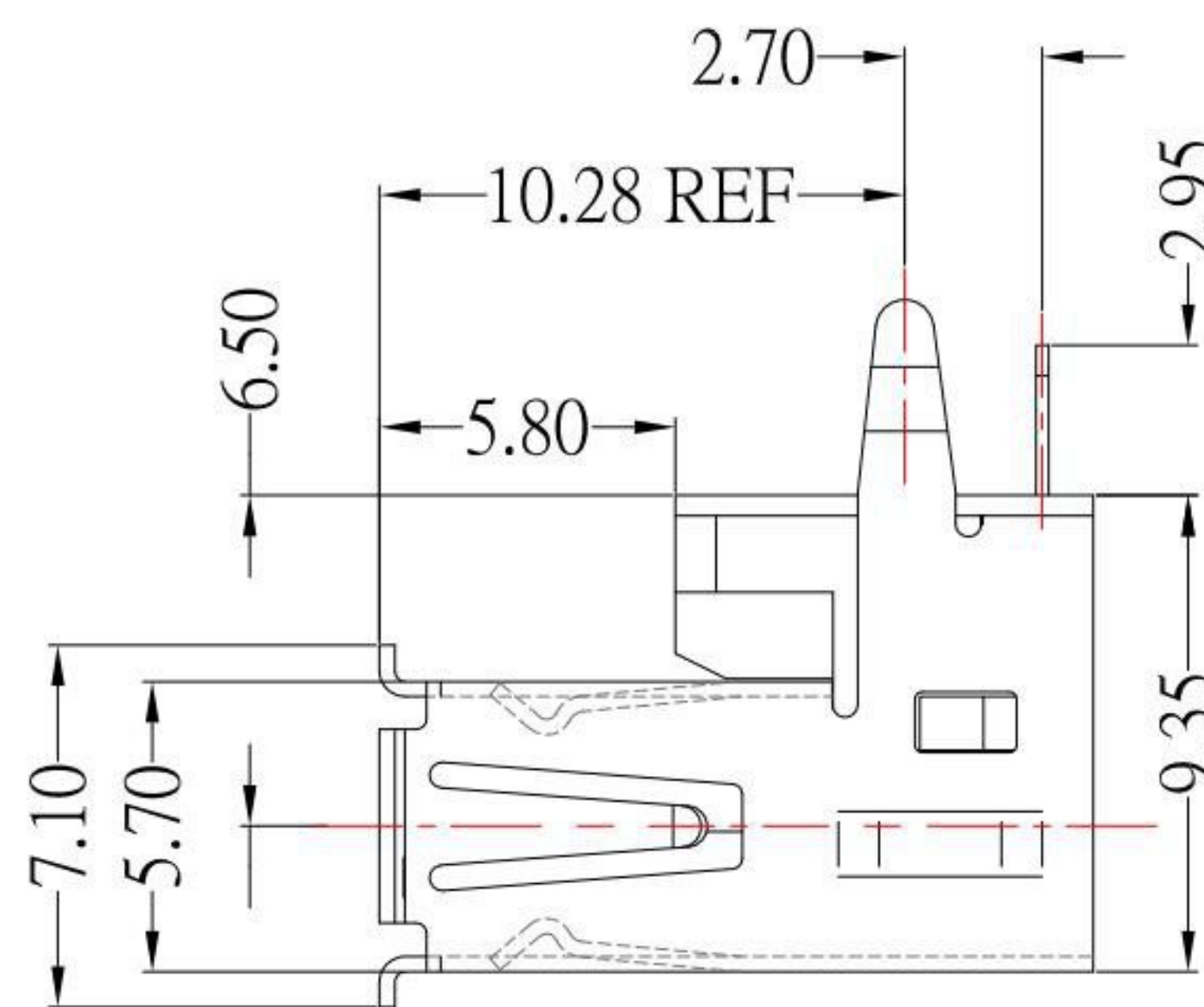
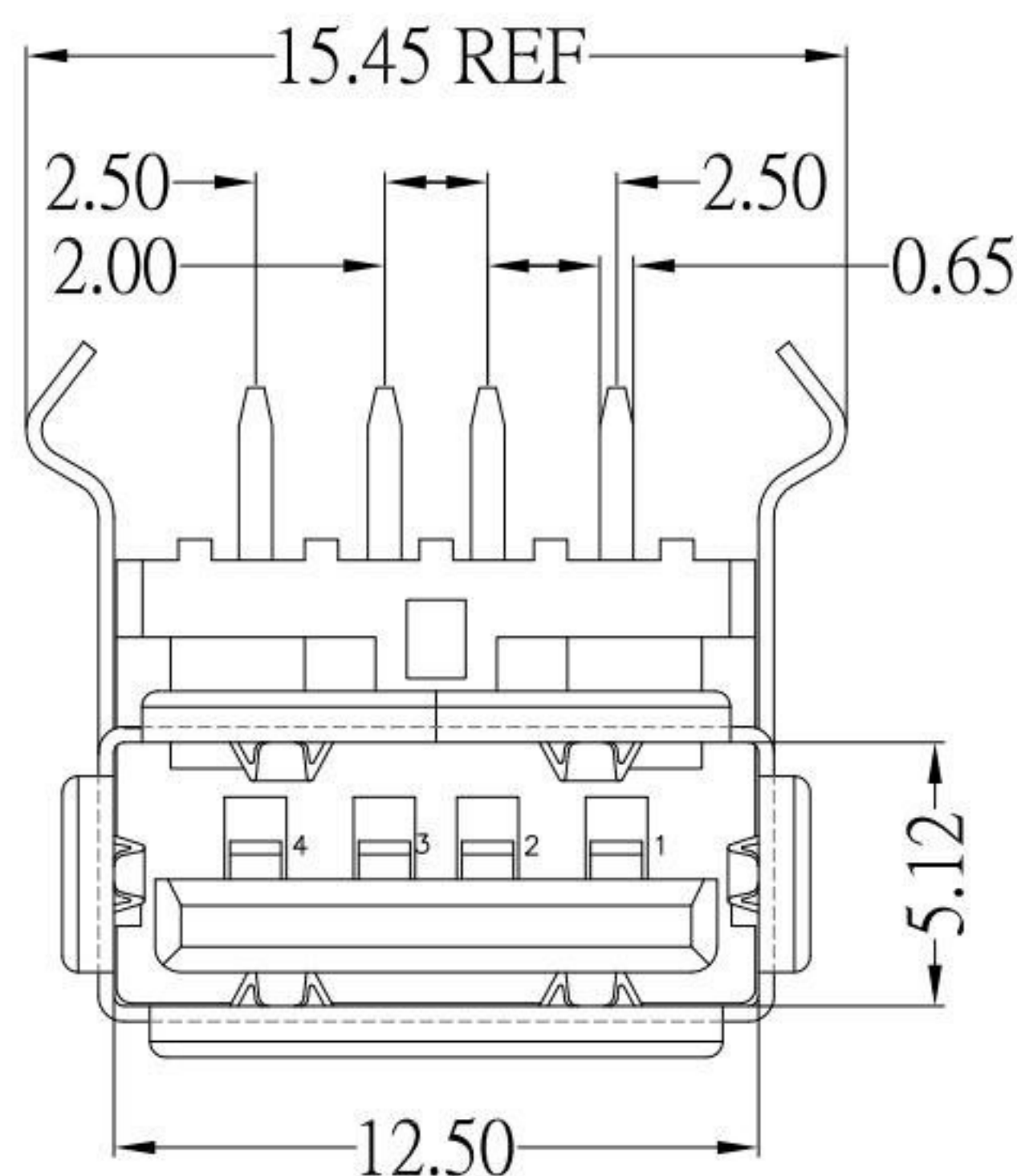
- 1.Housing: PBT, UL 94V-0 ,RATED
- 2.Contact: Brass
- 3.Shell: Brass

**Finish:**

- 1.Contact: Plated Gold in Mating Area ;  
Tin Plated on Solder Balls  
Nickel under plated overall
- 2.Shell: Nickel under Plated surface layer



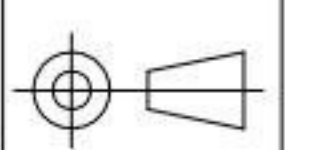
P.C.B LAYOUT MOUNTING PATTERN(TOP VIEW)



**KSD** 科斯达电子科技有限公司  
SWITCH CONNECTOR KSD ELECTRONIC TECHNOLOGY Co., LTD  
全球 互联零组件制造企业

TOLERANCE UNLESS OTHERWISE STATED :  
Up to 5 ±0.2  
Above 5 ~ 15 ±0.3  
Above 15 ~ 30 ±0.4  
Above 30 ~ 50 ±0.5  
Angle ±0.3°

3RD. ANGEL'S



UNITS MM

DRAWN BY: Jack Lu  
DATE: 06/13/14  
CHECKED BY: Jacky Chen  
DATE: 06/13/14  
APPROVED BY: Tony Kao  
DATE: 06/13/14

MAT'L		TITLE	CONNECTOR
FINISH		MODLE	USB AM 90度 DIP
SCALE	1 : 1	DWG NO.	SUA-110H3-x-S221
SHEET NO.	1 of 1	PART NO.	SUA-110H3-x-S221

SIZE A4  
VER R1

1	更新材質	Jack	061314
ITEM NO.	DESCRIPTION	DRAWN	DATE