

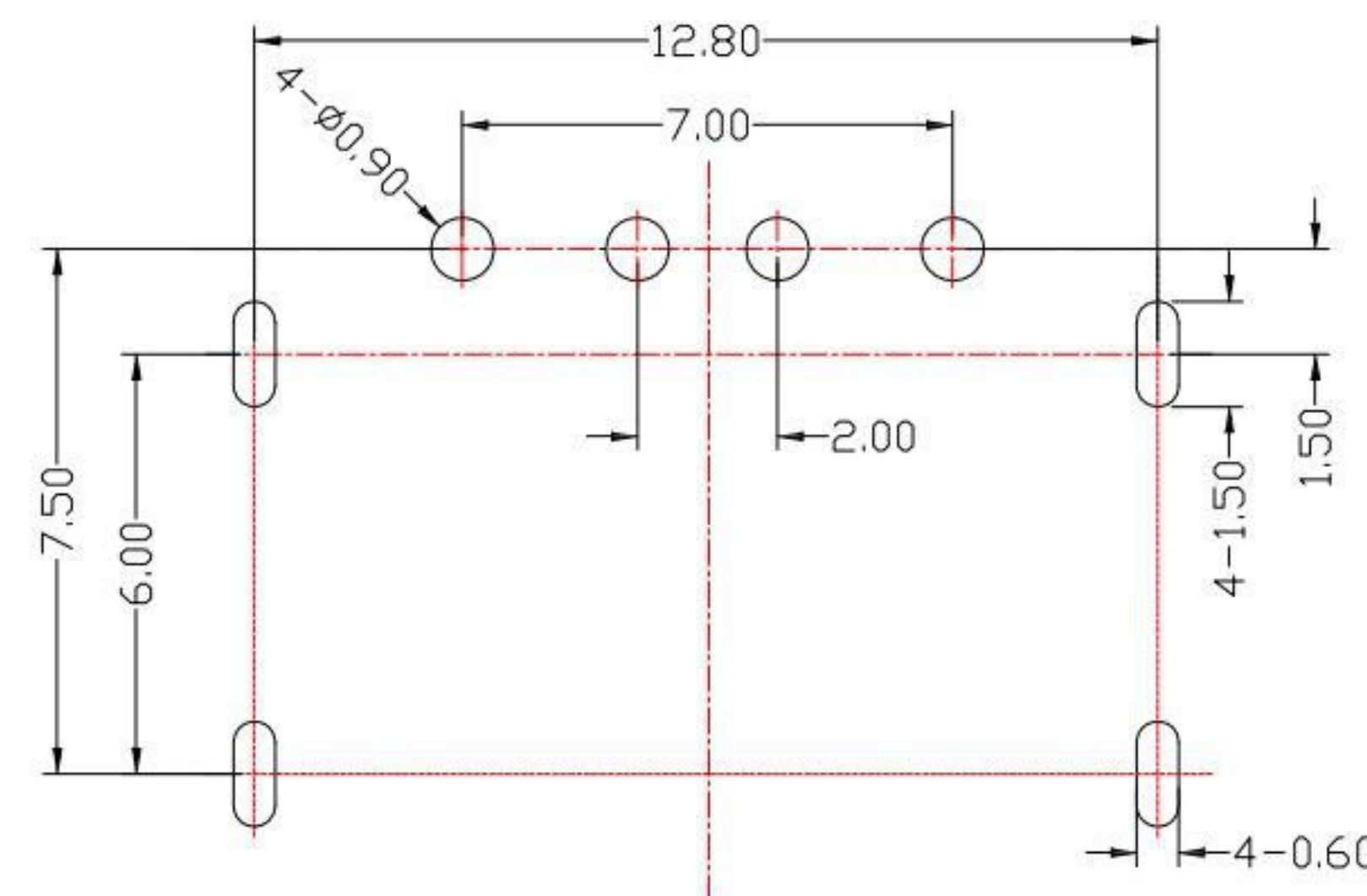
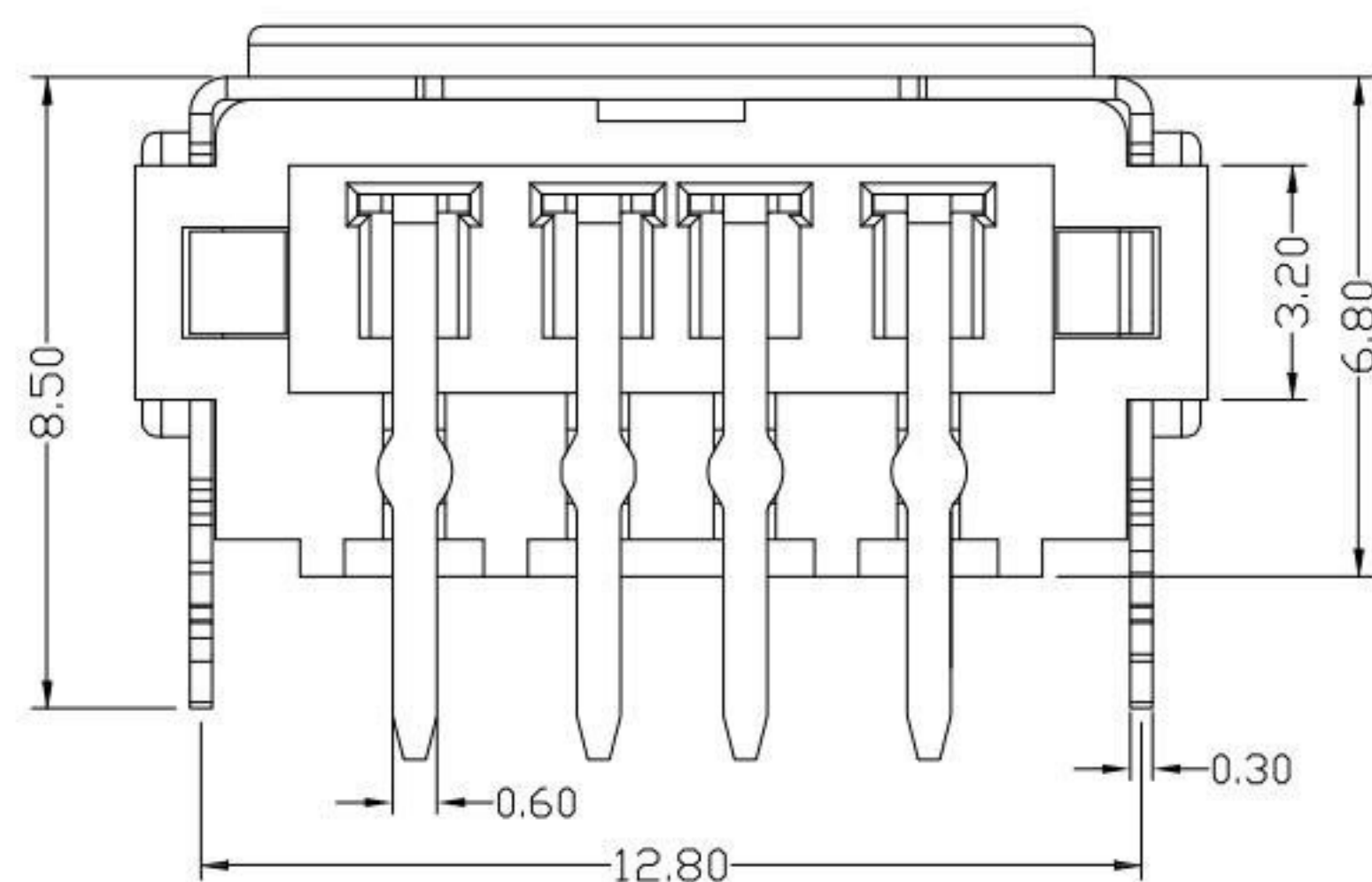


SUA-110H4-x-S235

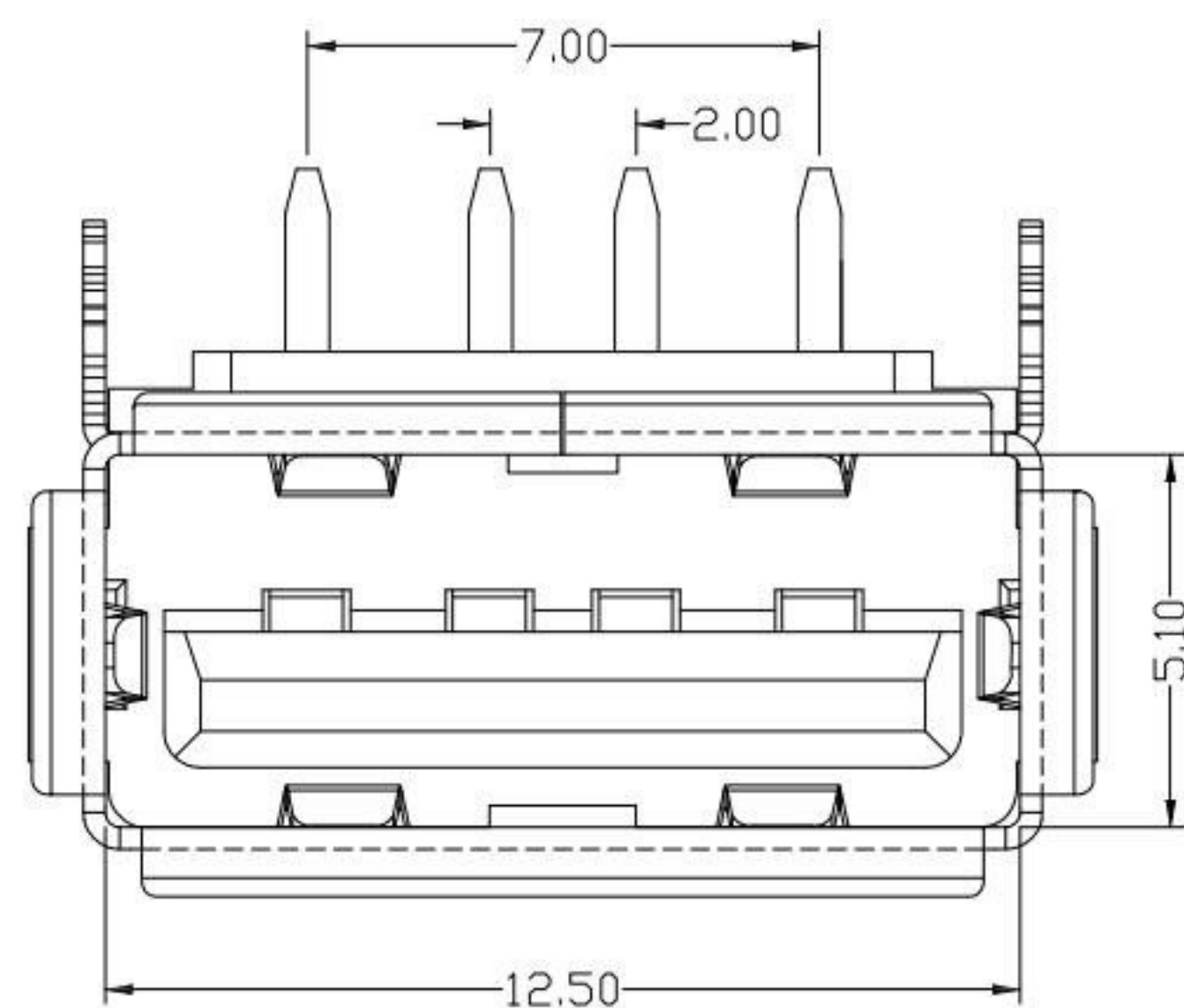
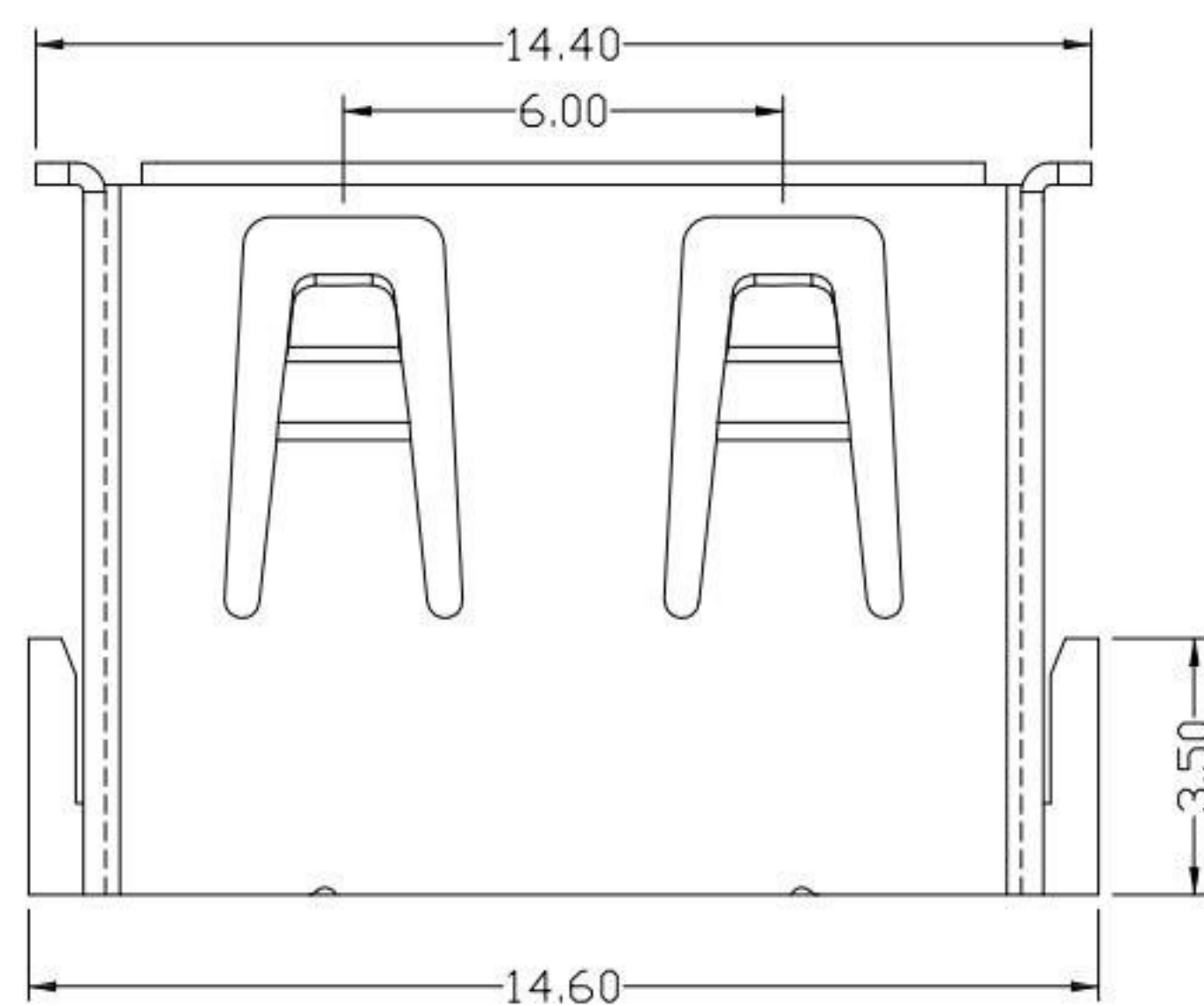
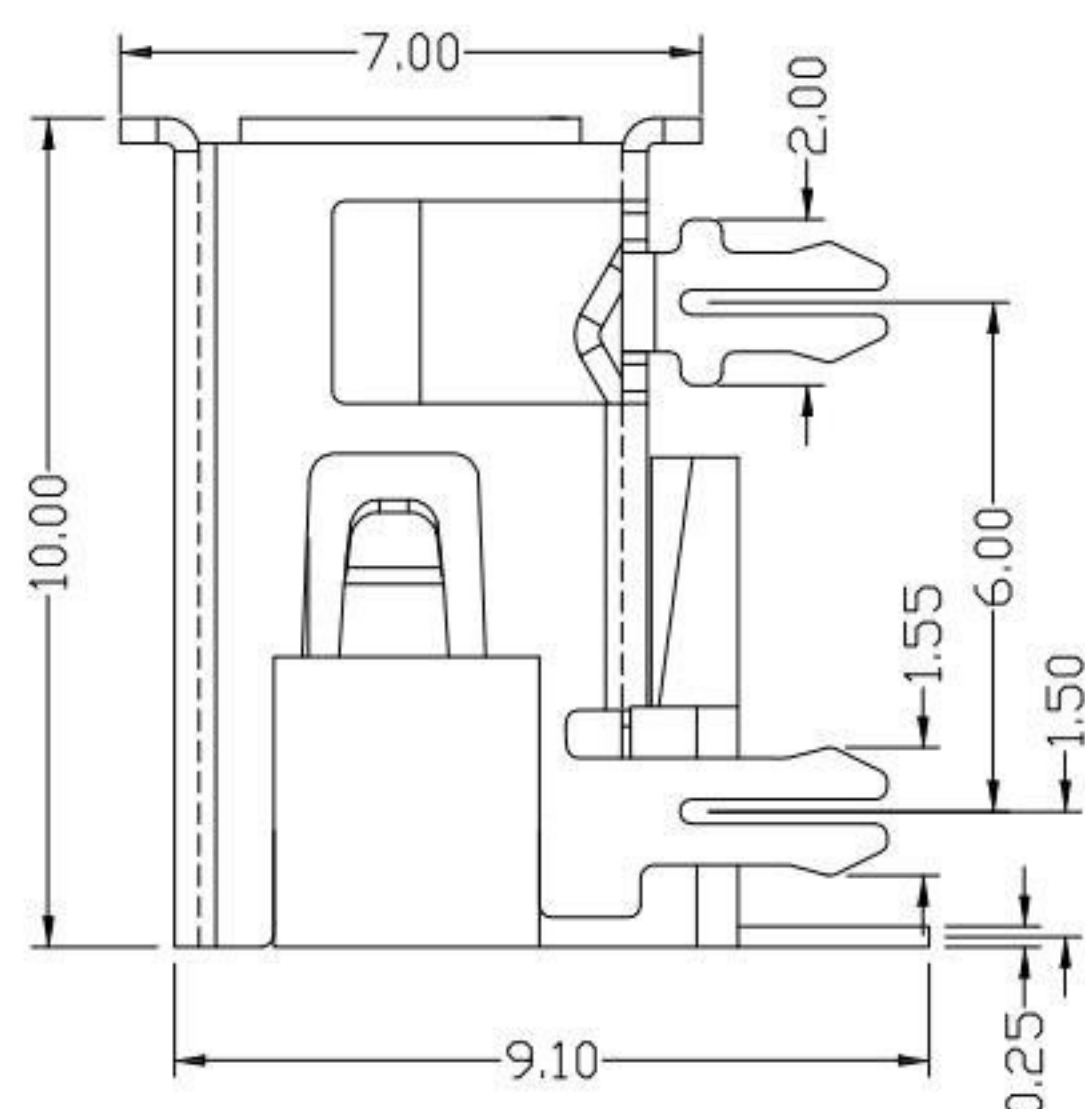
COLOR :

Black: B

White : W



PCB LAYOUT MOUNTING PATTERN



SPECIFICATIONS

Electrical:

1. Dielectric Withstanding Voltage: AC 500 V / 1MIN
2. Insulation Resistance: 1,000 MΩ Min
3. Contact Resistance: 30 mΩ Max
4. Operating Temperature: -25°C ~ 85°C

Mechanical:

1. Mechanical Characteristics:
Insertion force: 3.57 kgf (Max)
Extraction force: 1.02 kgf (Min)

Material:

1. Housing: LCP
2. Contact: Phosphor Bronze
3. Shell: Brass

Finish:

1. Contact: Plated Gold in Mating Area ;
Tin Plated on Solder Balls
Nickel under plated overall
2. Shell: Nickel under Plated surface layer

KSD 科斯达电子科技有限公司
SWITCH CONNECTOR KSD ELECTRONIC TECHNOLOGY Co., LTD
全球 互联零组件制造企业

TOLERANCE UNLESS OTHERWISE STATED :	Up to 5 ±0.2	3RD. ANGEL'S	UNITS	MM
	Above 5 ~ 15 ±0.3			
	Above 15 ~ 30 ±0.4			
	Above 30 ~ 50 ±0.5			
	Angle ±0.3			

DRAWN BY:	DATE	MAT'L	TITLE	CONNECTOR
Jack Lu	10/21/13			
CHECKED BY:	DATE	FINISH	MODLE	USB AF 10.0插板四脚有卷边 =6.8
Jacky Chen	10/21/13			
APPROVED BY:	DATE	SCALE	DWG NO.	SUA-110H4-x-S235
Tony Kao	10/21/13	1 : 1		
		SHEET NO.	PART NO.	SUA-110H4-x-S235
		1 of 1		
				SIZE A4
				VER R2

2	更新Operating Temperature	102113	Jack
1	更新SPEC和PCB尺寸更新及新增尺寸	090513	Jack
ITEM NO.	DESCRIPTION	DRAWN	DATE