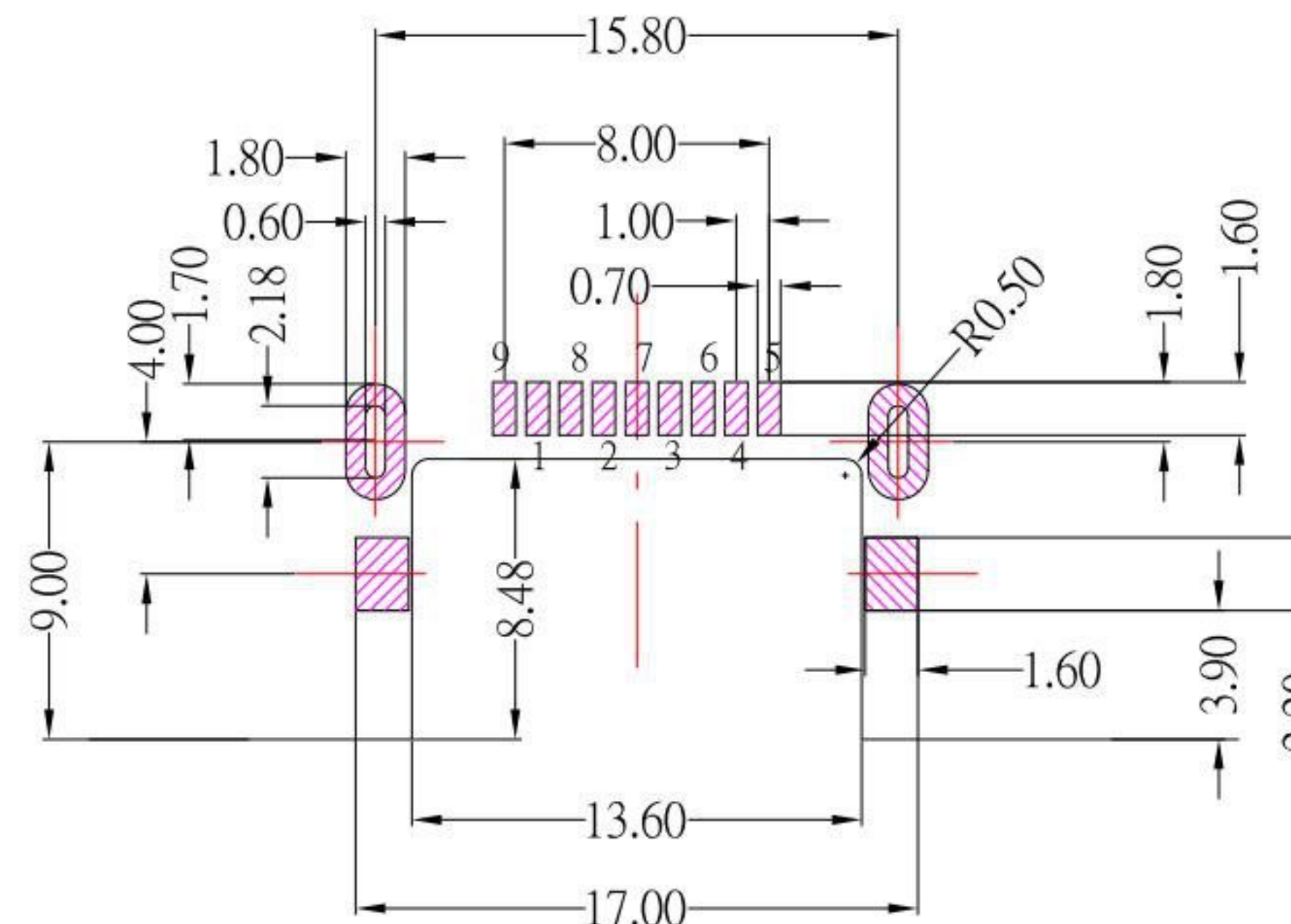
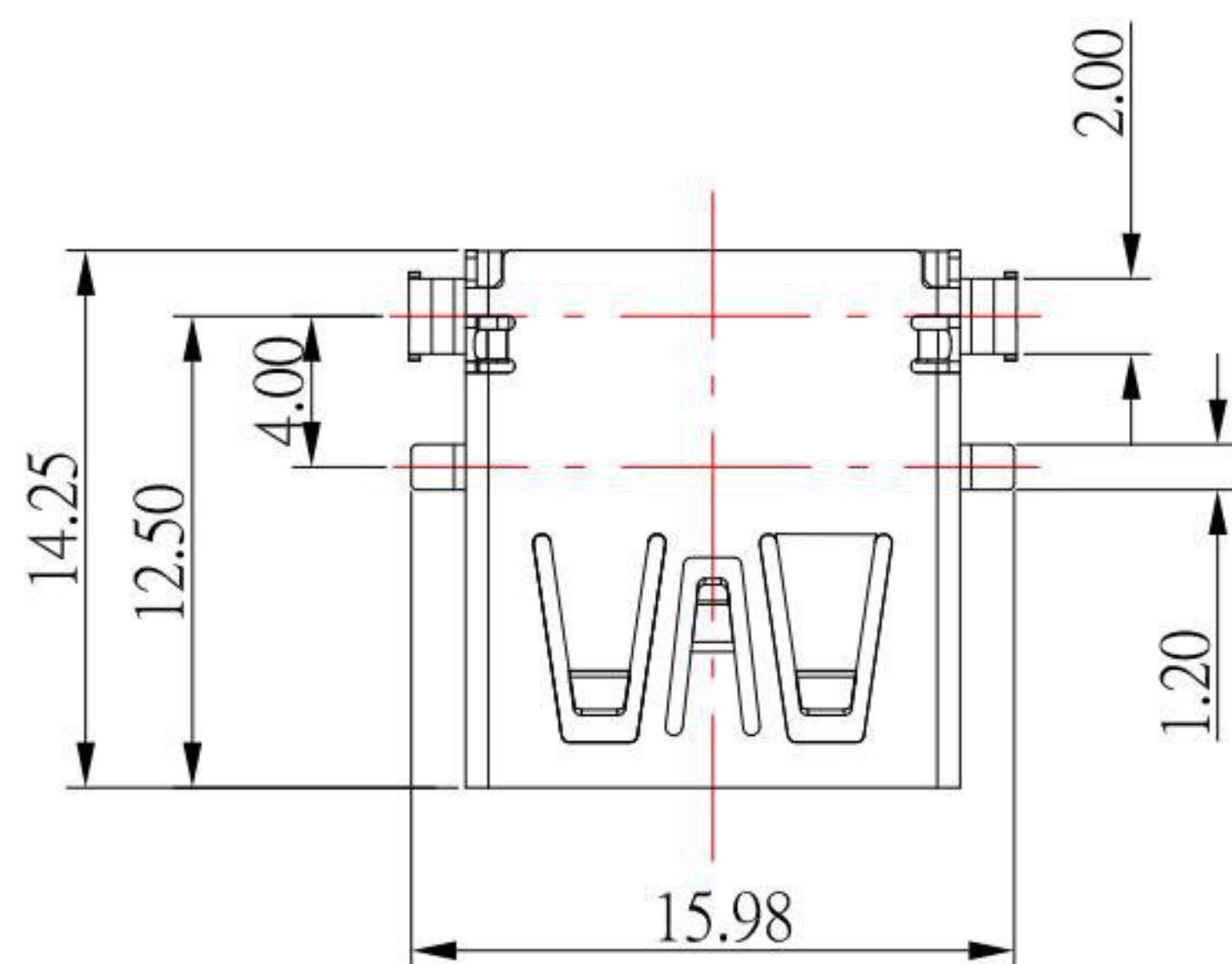




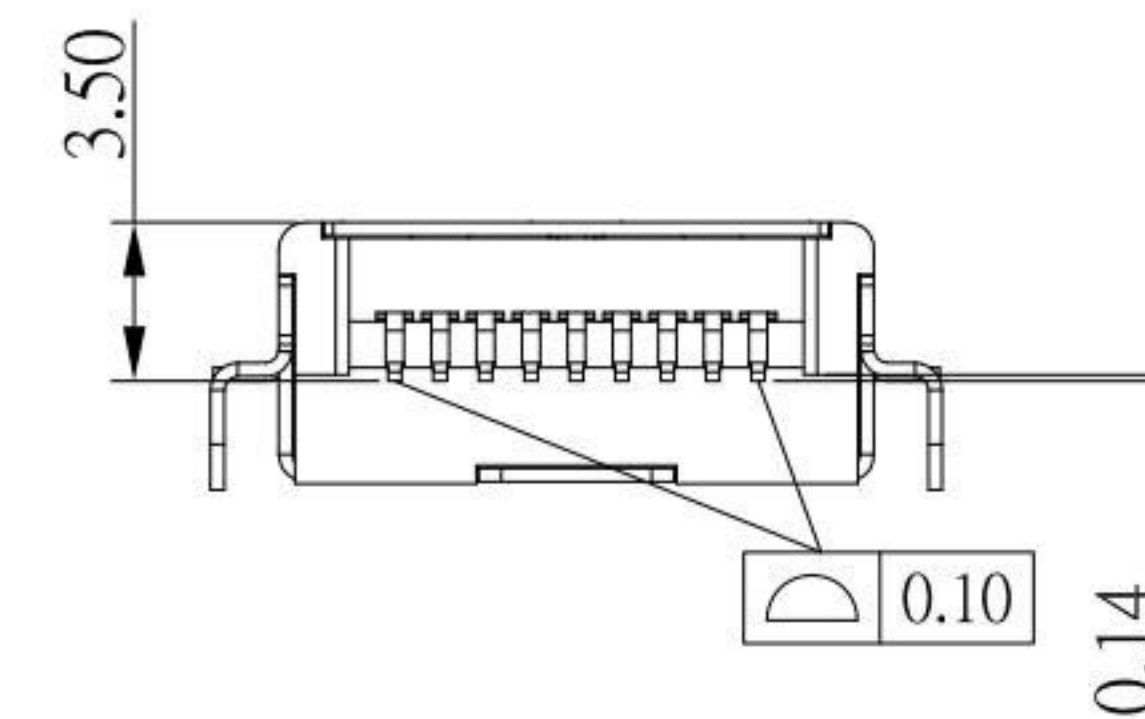
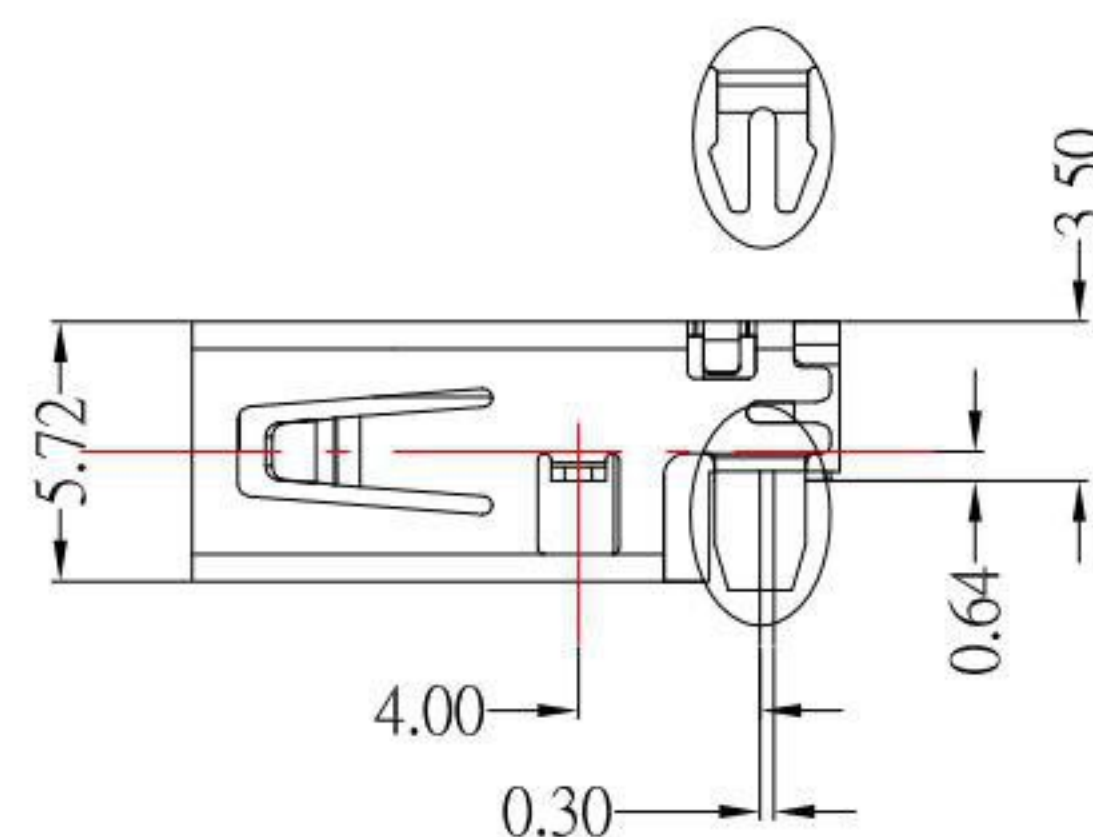
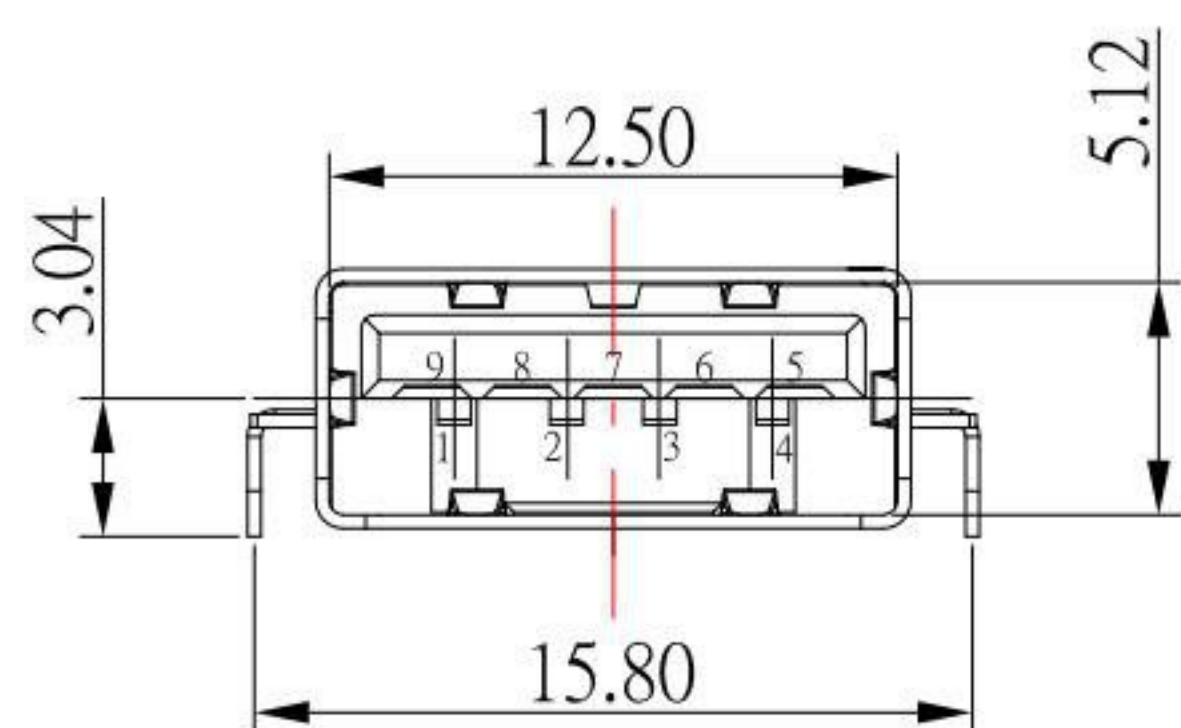
SUA-110M1A-30x-S277

鍍層厚度:

Blank : 1u"
2 : 15u"
3 : 30u"



RECOMMENDED PCBA LAYOUT



SPECIFICATIONS:

1.ELECTRICAL CHARACTERISTICS;

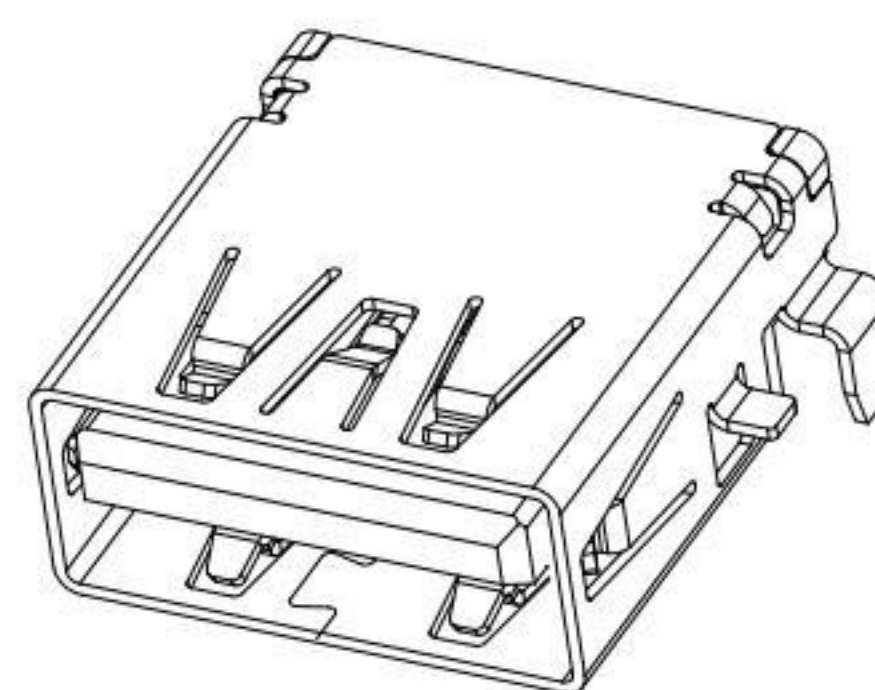
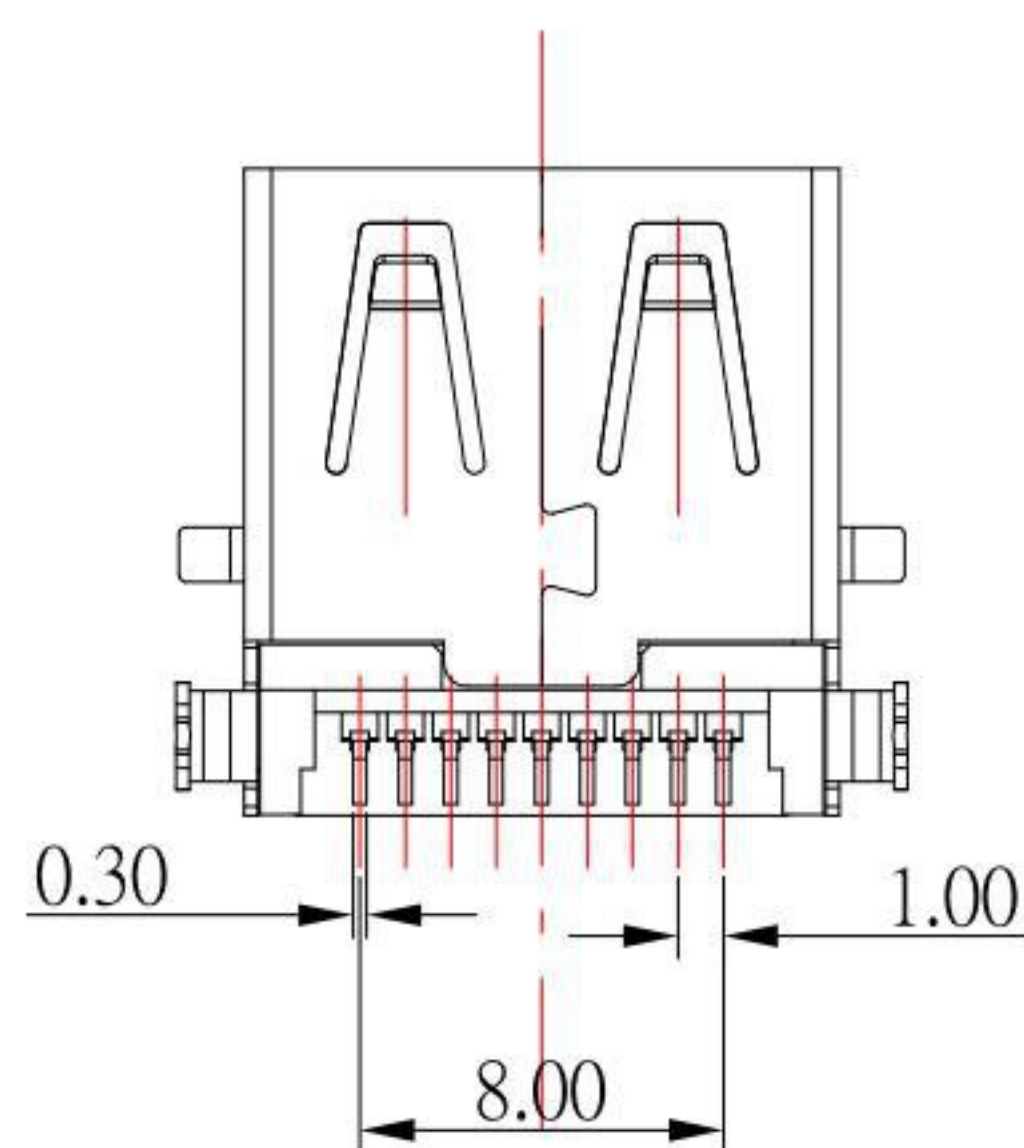
- 1.1 CONTACT RESISTANCE: 30mΩ MAX
- 1.2 DIELECTRIC WITHSTANDING VOLTAGE: 100 V 1 min
- 1.3 INSULATION RESISTANCE: 100 MΩ MIN
- 1.4 OPERATING TEMPERATURE: -25°C ~ 85°C

2.MATERIAL:

- 2.1 HOUSING: LCP , Color:Blue
- 2.2 CONTACT: PHOSPHOR BRONZE
- 2.3 SHELL: BRASS

3.PLATING:

- 3.1 CONTACT: PLATED GOLD IN MATING AREA ;
TIN PLATED ON SOLDER BALLS ;
NICKEL UNDER PLATED OVERALL
- 3.2 SHELL: NICKEL UNDER PLATED SURFACE LAYER



KSD 科斯达电子科技有限公司
 SWITCH CONNECTOR KSD ELECTRONIC TECHNOLOGY Co., LTD
 全球 互聯零組件 制造企业

TOLERANCE UNLESS OTHERWISE STATED:	Up to 5 ±0.2	5 ~ 15 ±0.3	15 ~ 30 ±0.4	30 ~ 50 ±0.5	Angle ±0.3°
	3RD. ANGEL'S	UNITS	MM		

DRAWN BY:	DATE	MAT'L	TITLE	CONNECTOR
Jack Lu	01/05/22		MODLE	USB 3.0 AF SMT 沉板3.5mm 無捲邊
CHECKED BY:	DATE	FINISH	DWG NO.	SUA-110M1A-30x-S277
Jacky Chen	01/05/22		SHEET NO.	1 of 1
APPROVED BY:	DATE	SCALE	PART NO.	SUA-110M1A-30x-S277
Tony Kao	01/05/22	1:1		

1	新增膠芯顏色	Jack	010522
ITEM NO.	DESCRIPTION	DRAWN	DATE