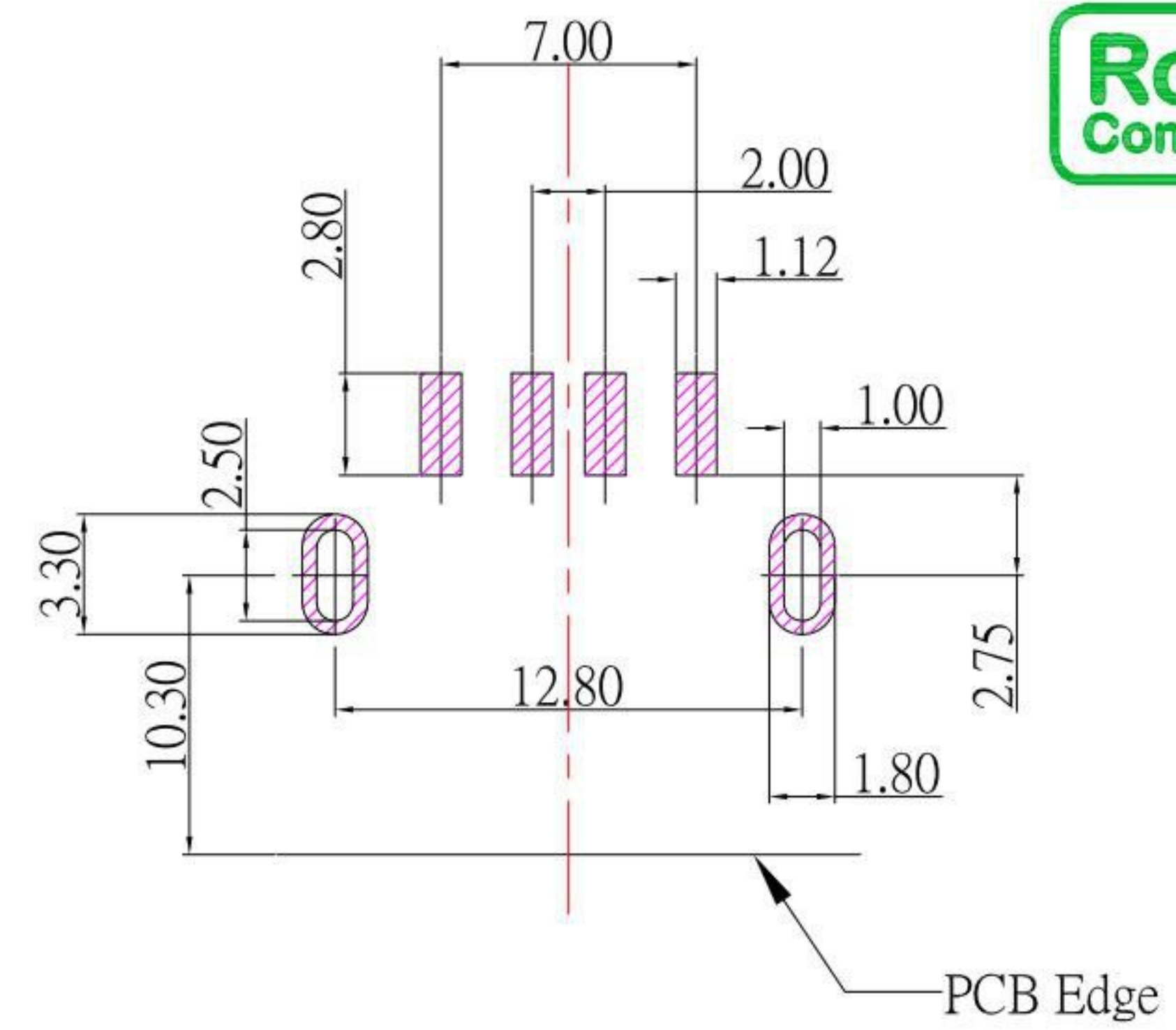
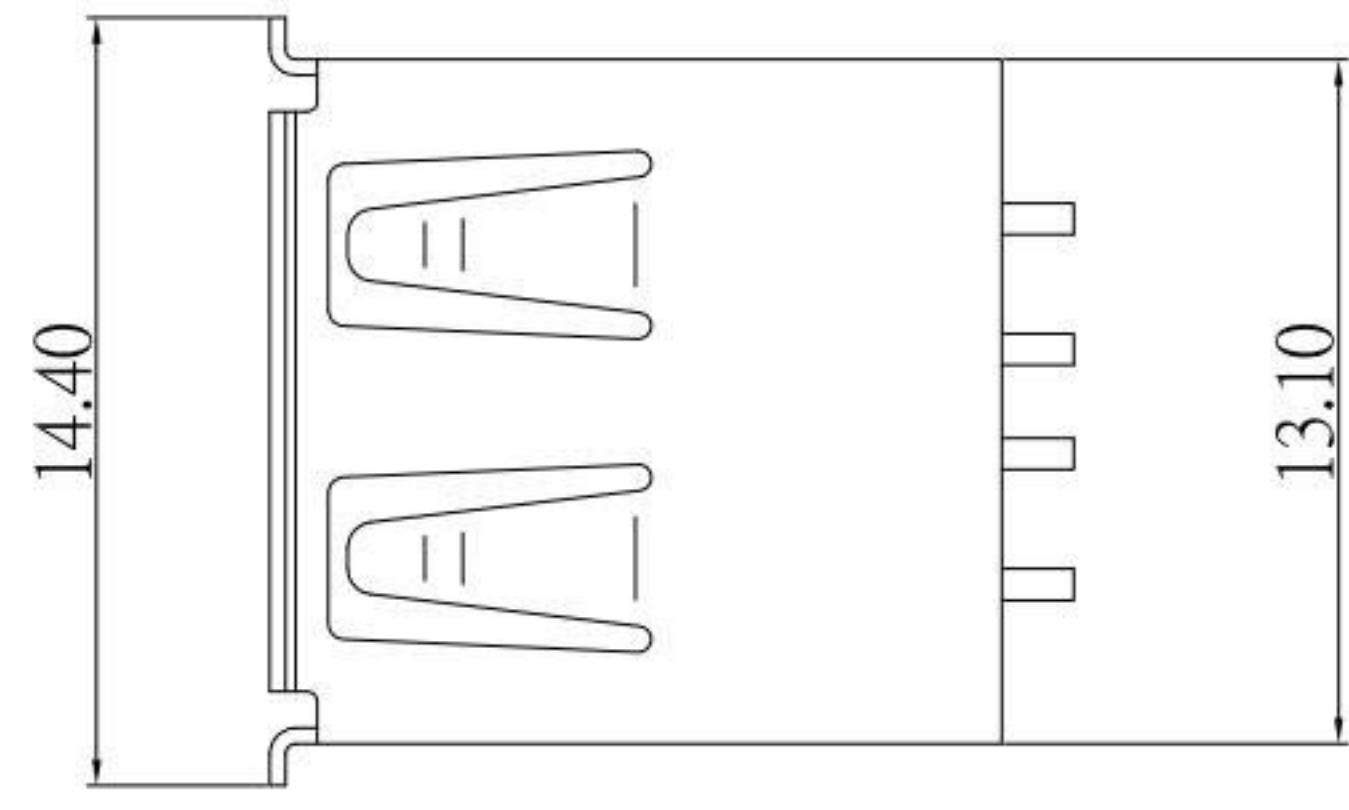


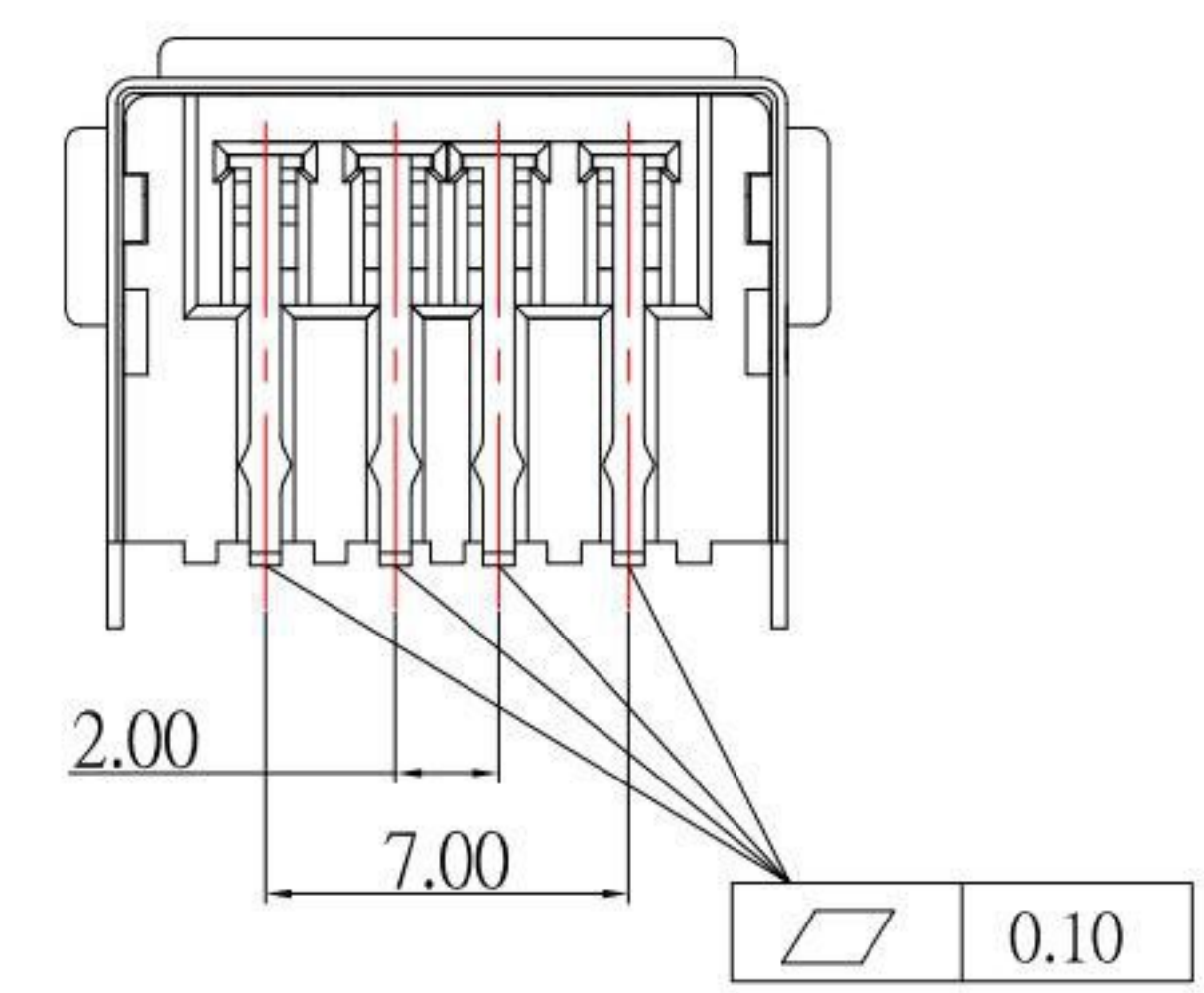
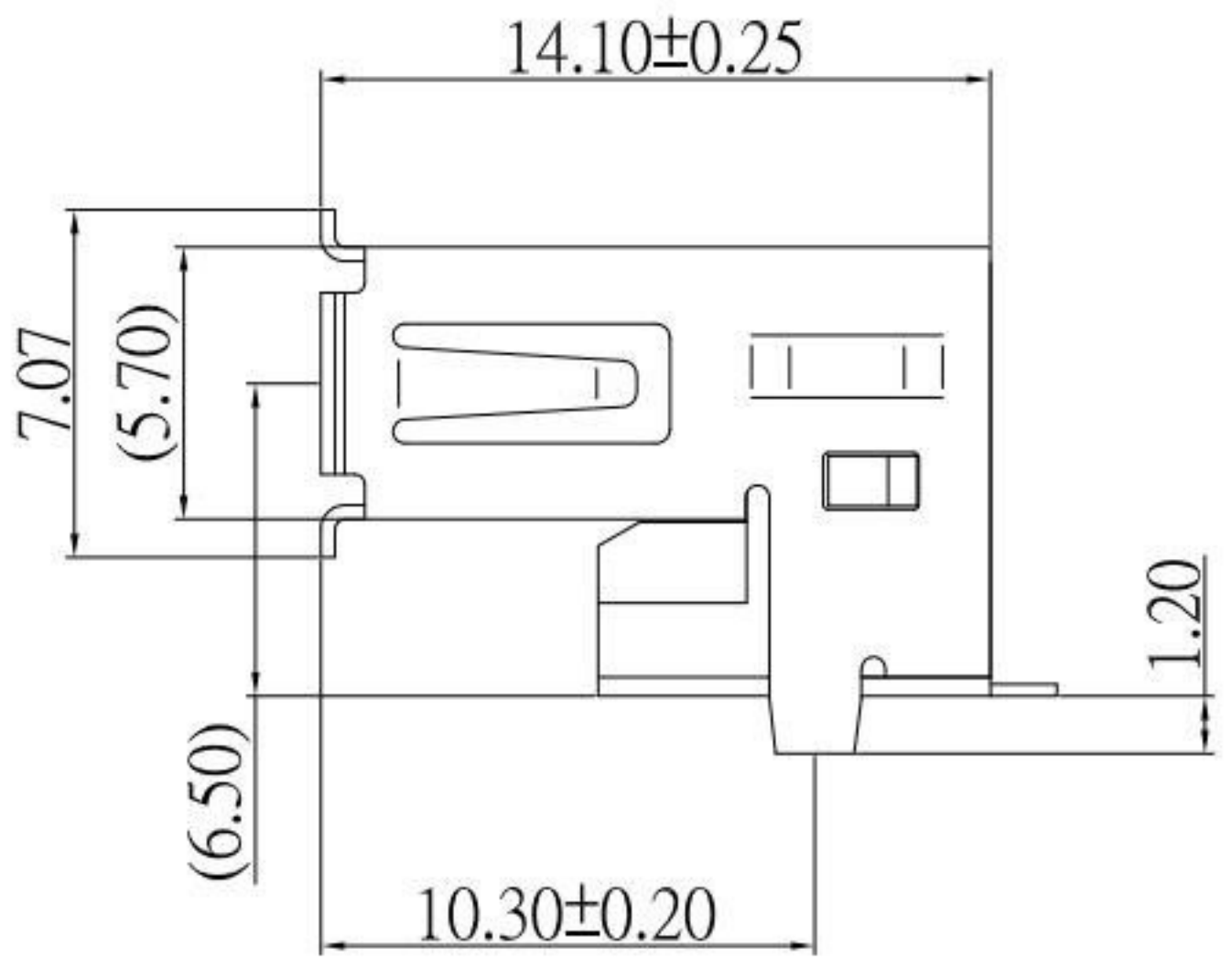
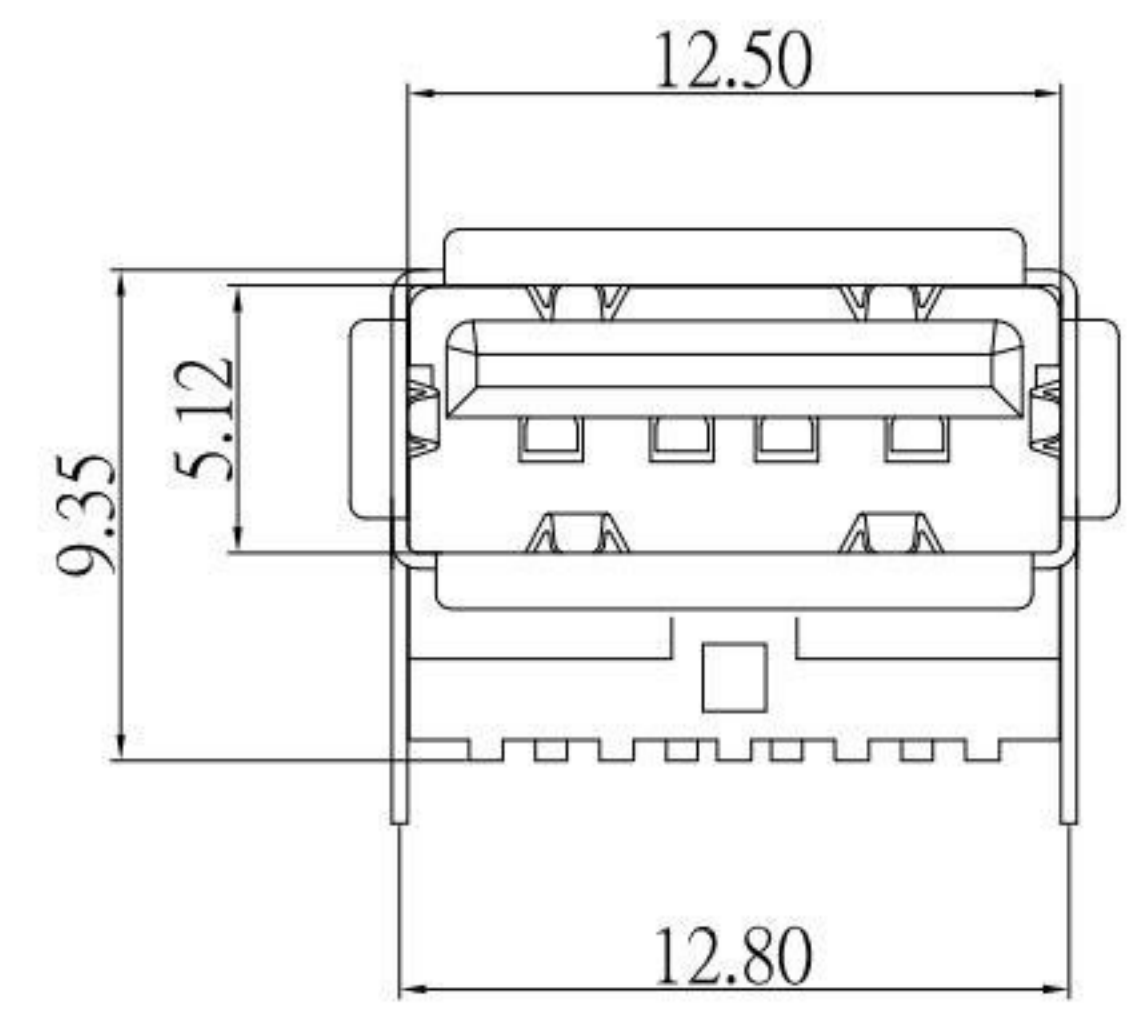


# SUA-110M12-x-x-S165

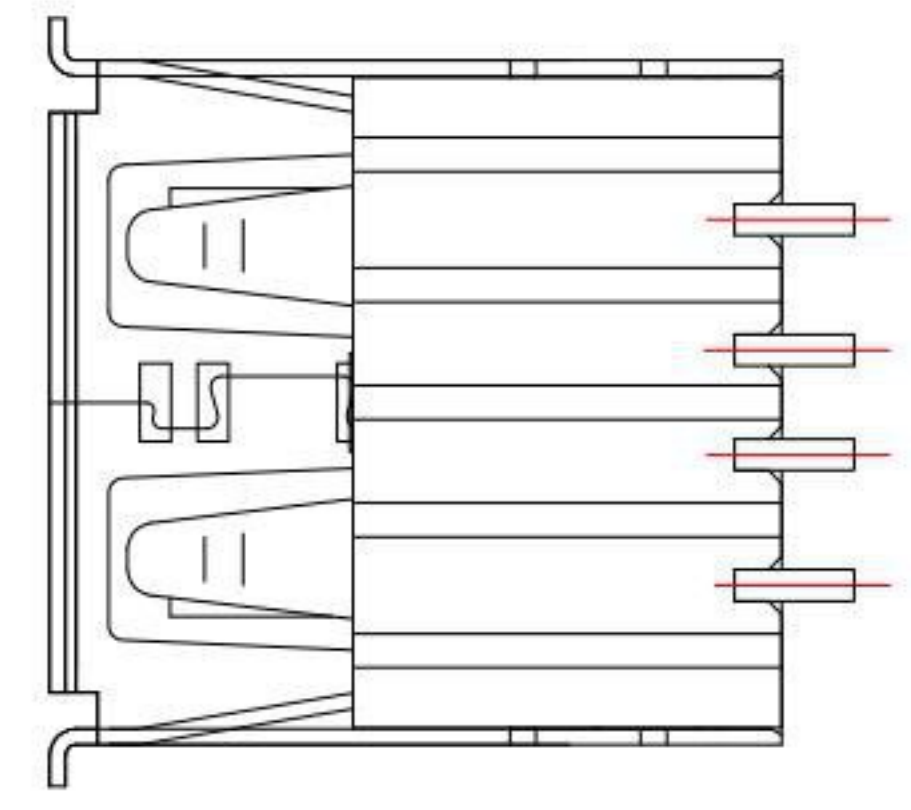
鍍層厚度:	COLOR:
Blank : 1u"	Black : B
2 : 15u"	White : W
3 : 30u"	



PCB LAYOUT MOUNTING PATTERN



- Material:**
- 1.Housing: LCP
  - 2.Contact: BRASS
  - 3.Shell: BRASS
- Finish:**
- 1.Contact: Plated Gold in Mating Area ;  
Tin Plated on Solder Balls ;  
Nickel under plated overall
  - 2.Shell: Nickel under Plated surface layer



**KSD** 科斯达电子科技有限公司  
 SWITCH CONNECTOR KSD ELECTRONIC TECHNOLOGY Co., LTD  
 全球 互联零组件制造企业

TOLERANCE UNLESS OTHERWISE STATED:	Up to 5 ±0.2	Above 5 ~ 30 ±0.3	Above 30 ~ 50 ±0.4	Above 50 ±0.5	Angle ±0.3
	3RD. ANGEL'S	UNITS	MM		

DRAWN BY:	DATE	MAT'L	TITLE	CONNECTOR
Jack Lu	05/08/19		MODLE	USB AF R/A SMT H:9.35mm
CHECKED BY:	DATE	FINISH	DWG NO.	SUA-110M12-x-x-S165
Jacky Chen	05/08/19		PART NO.	SUA-110M12-x-x-S165
APPROVED BY:	DATE	SCALE		
Tony Kao	05/08/19	1 : 1		
		SHEET NO.	1 of 1	

ITEM NO.	DESCRIPTION	DRAWN	DATE