



### SPECIFICATIONS

#### Electrical:

- 1.Current Rating: 1.5A / contact terminal
- 2.Voltage Rating: 30V DC
- 3.Contact Resistance: 30 milliohms Max
- 4.Dielectric Withstanding Voltage:  
500 V AC AT Sec Level
- 5.Insulation Resistance: 1,000 MEGA ohms Min

#### Mechanical:

- 1.Connector Mate and Unmate Force  
Mate force: 3.57 kgf (Max)  
Unmate force: 1.02 kgf (Min)
- 2.Terminal Retention: 1.2 kgf (Min)

#### Material:

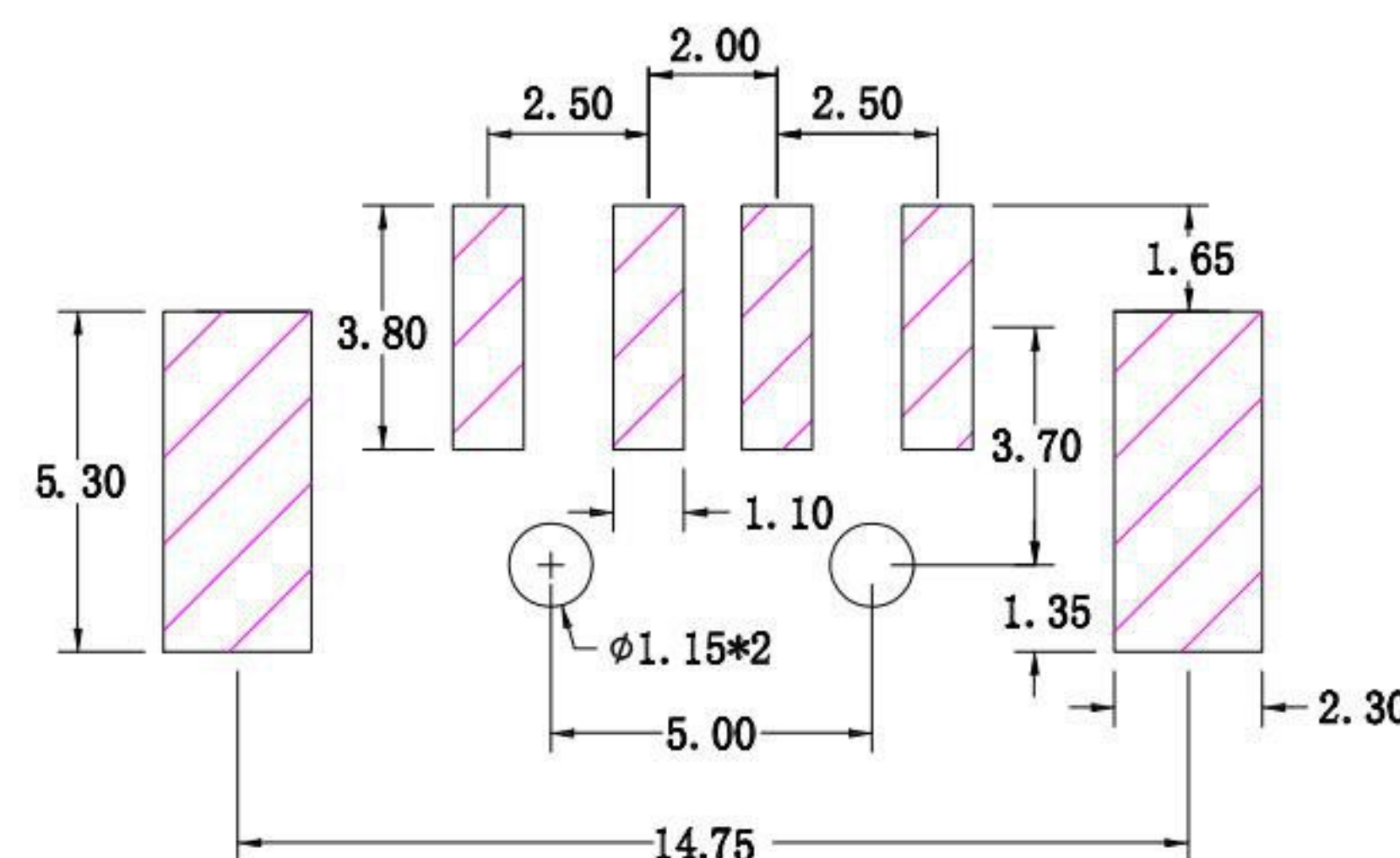
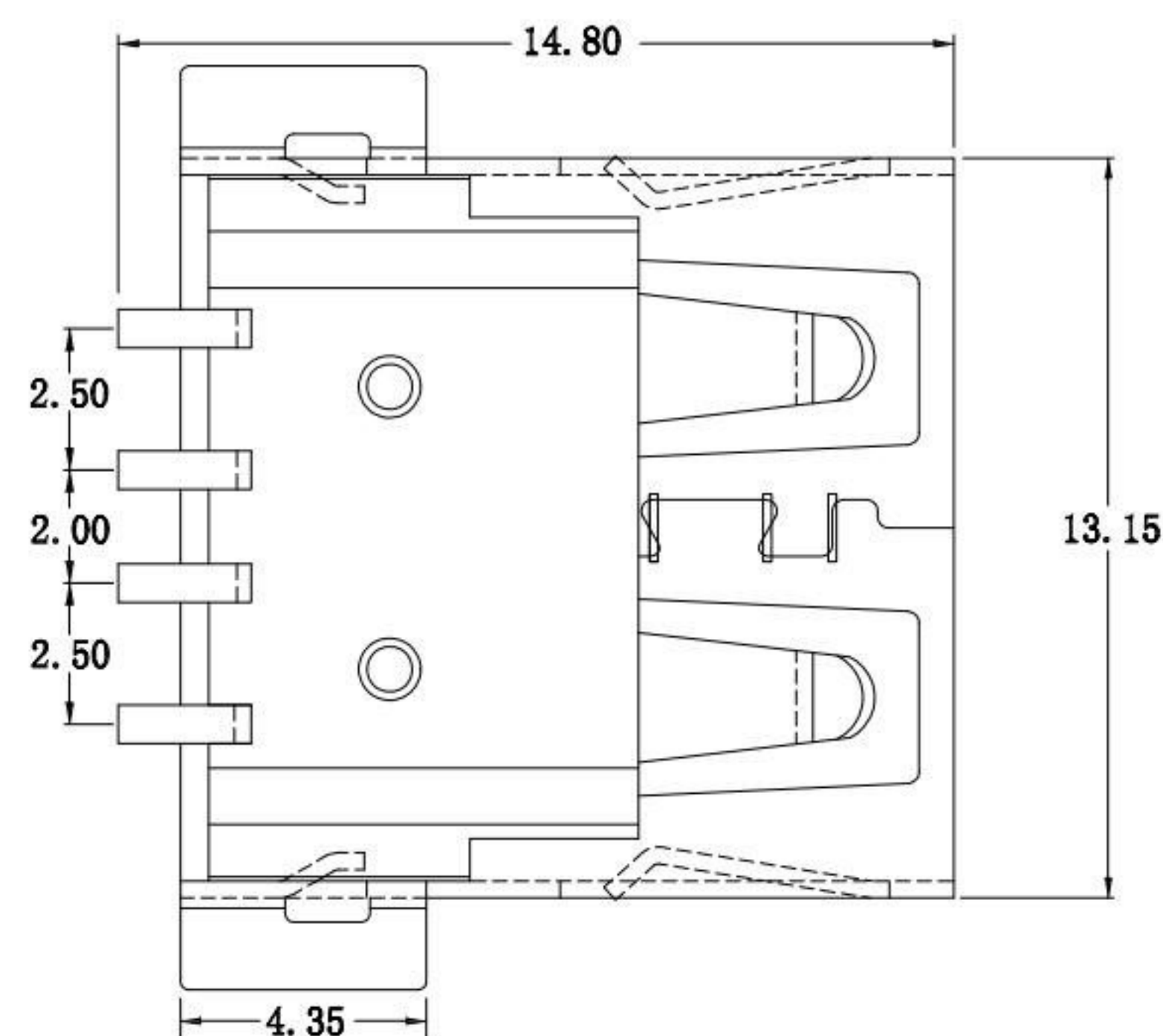
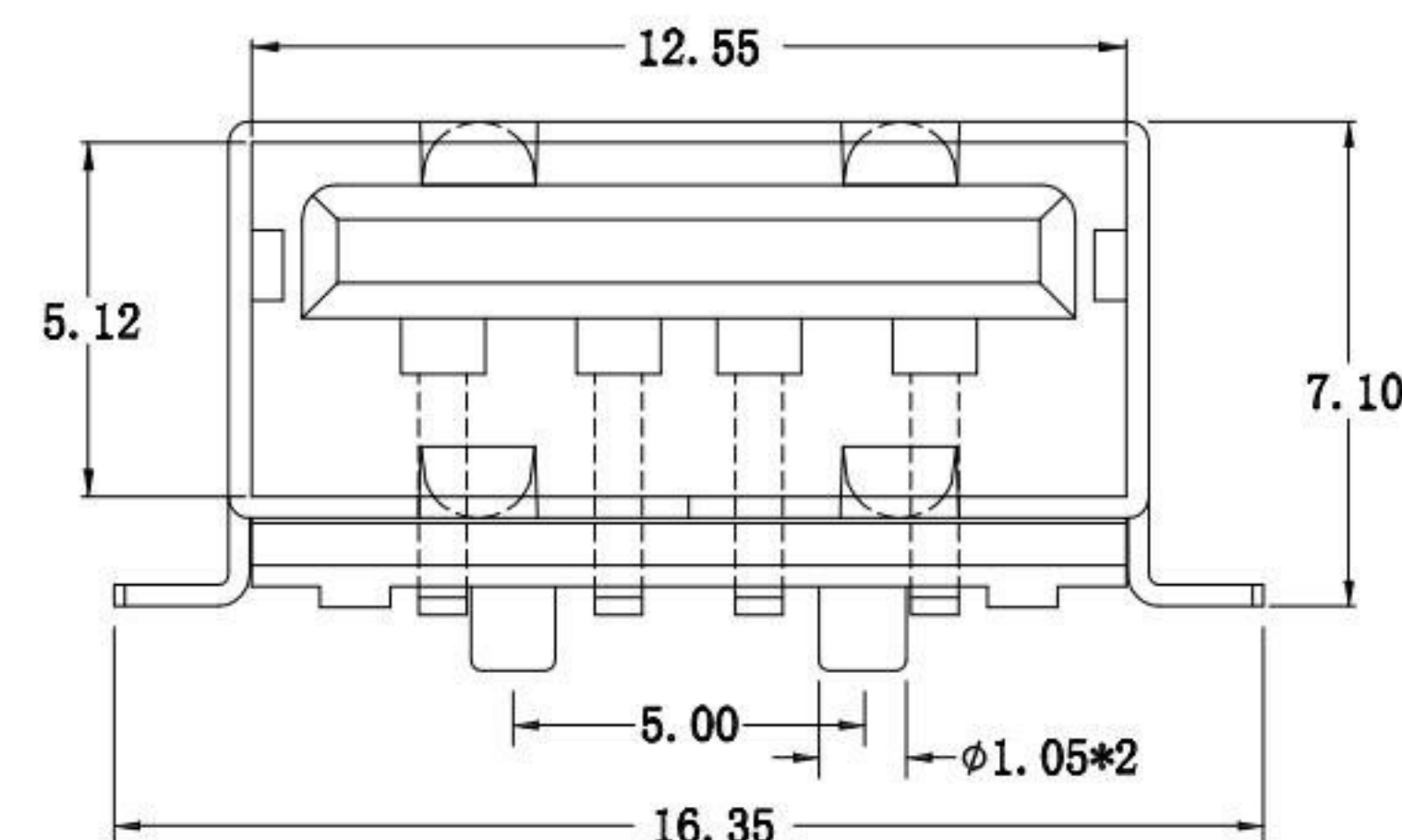
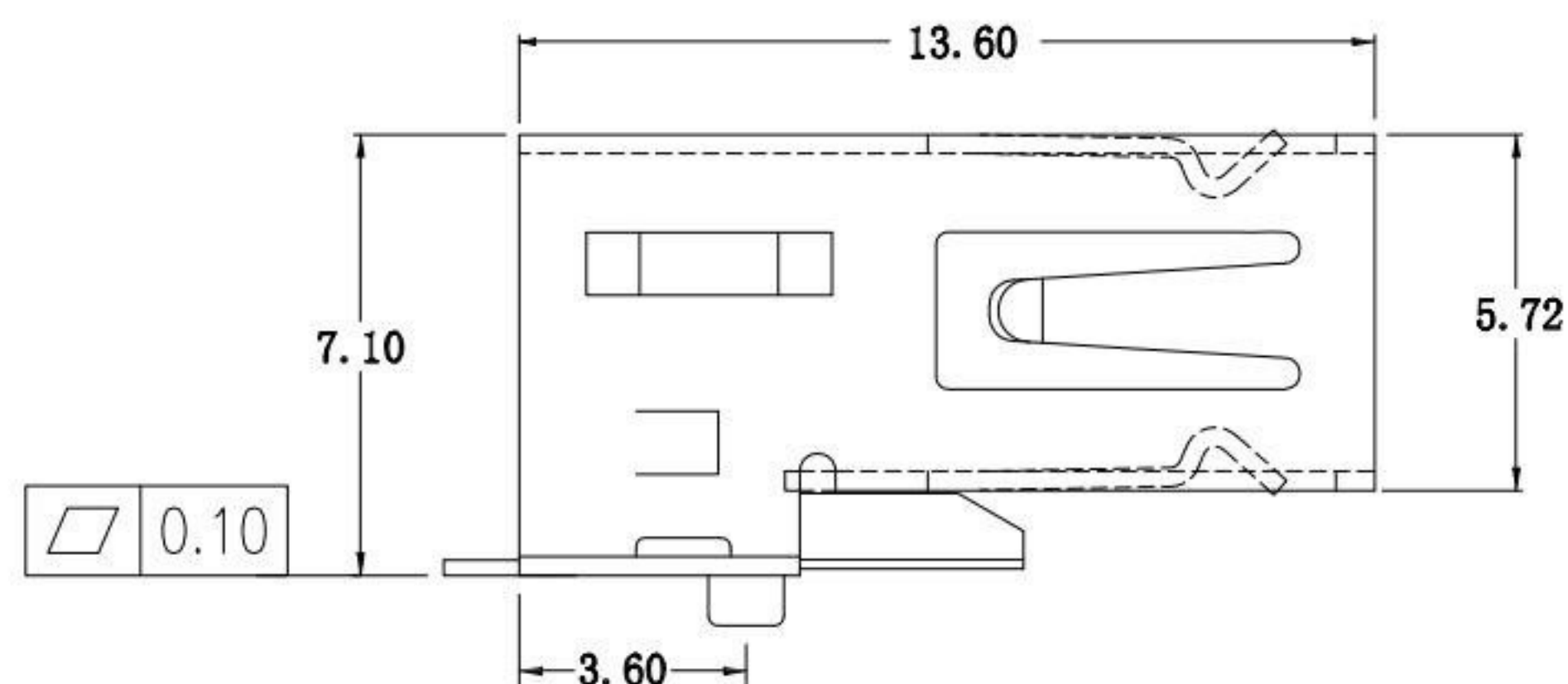
- 1.Housing: LCP UL94V-0,Black Color
- 2.Contact: BRASS
- 3.Shell: BRASS

#### Finish:

- 1.Contact: Plated Gold in Mating Area ;  
Tin Plated on Solder Balls  
Nickel under plated overall
- 2.Shell: Nickel under Plated surface layer

SUA-110M15-x-x-S175

|         |             |
|---------|-------------|
| COLOR : | Black : B   |
| 鍍層厚度 :  | White : W   |
|         | Blue : BL   |
|         | Blank : 1u" |
|         | 2 : 15u"    |
|         | 3 : 30u"    |



PCB LAYOUT MOUNTING PATTERN

|          |             |       |      |   |              |          |           |          |                     |                     |
|----------|-------------|-------|------|---|--------------|----------|-----------|----------|---------------------|---------------------|
|          |             |       |      | <b>科斯达电子科技有限公司</b><br>SWITCH CONNECTOR<br>全球 互联网 零组件 制造企业<br><b>KSD ELECTRONIC TECHNOLOGY Co., LTD</b>                              | DRAWN BY:    | DATE     | MAT'L     | TITLE    | CONNECTOR           |                     |
|          |             |       |      |   | Jack Lu      | 03/30/21 |           |          | CONNECTOR           |                     |
|          |             |       |      | TOLERANCE UNLESS OTHERWISE STATED :<br>Up to 5 ±0.2<br>Above 5 ~ 15 ±0.3<br>Above 15 ~ 30 ±0.4<br>Above 30 ~ 50 ±0.5<br>Angle ±0.3° | CHECKED BY:  | DATE     | FINISH    | MODLE    | USB AF SMT 平口 1.0 柱 |                     |
|          |             |       |      |   | Jacky Chen   | 03/30/21 | SCALE     | 1 : 1    | DWG NO.             | SUA-110M15-x-x-S175 |
|          |             |       |      | 3RD. ANGEL'S<br>UNITS MM  | APPROVED BY: | DATE     | SHEET NO. | PART NO. | SUA-110M15-x-x-S175 | VER                 |
| ITEM NO. | DESCRIPTION | DRAWN | DATE |   | Tony Kao     | 03/30/21 |           |          |                     | 1 of 1              |