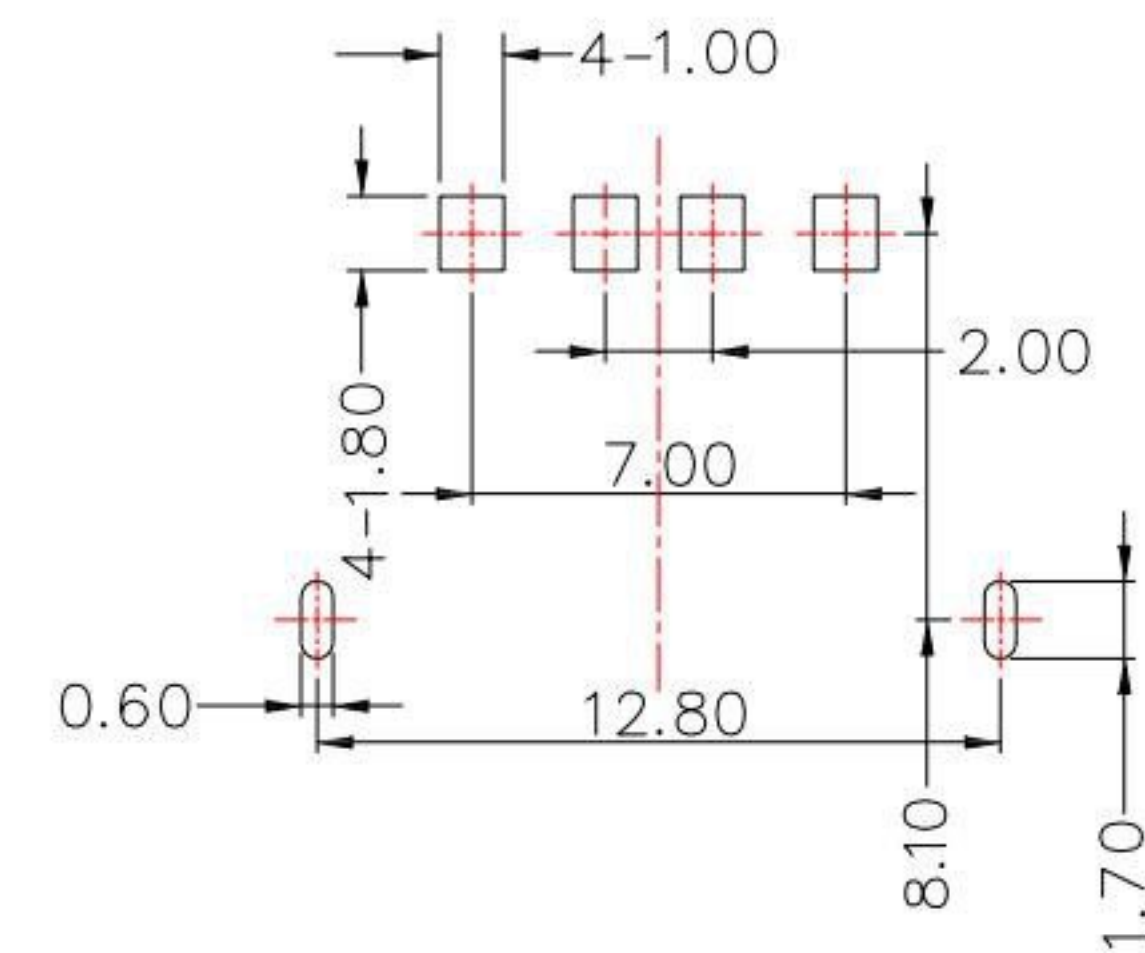
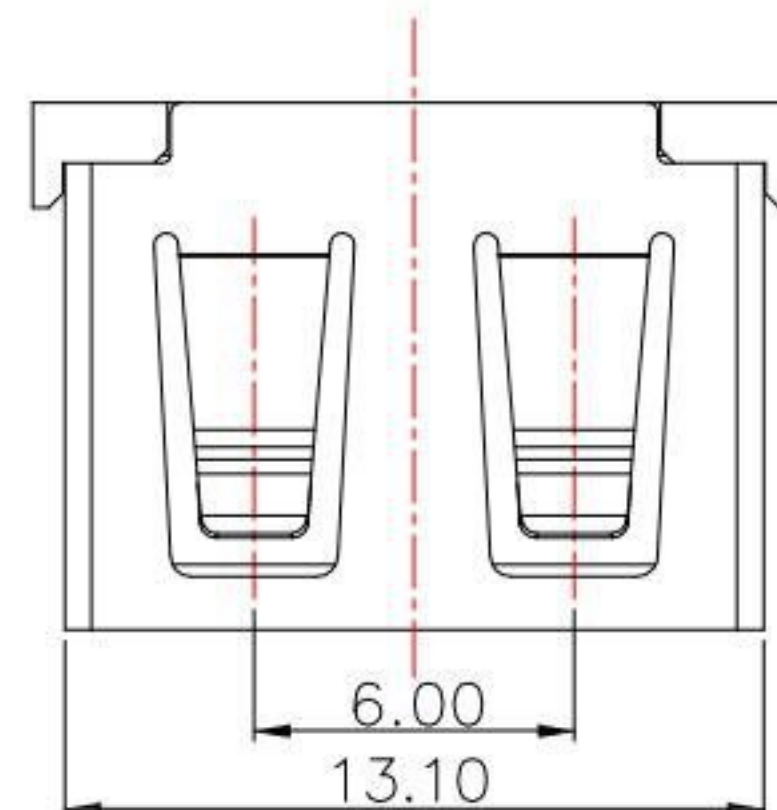




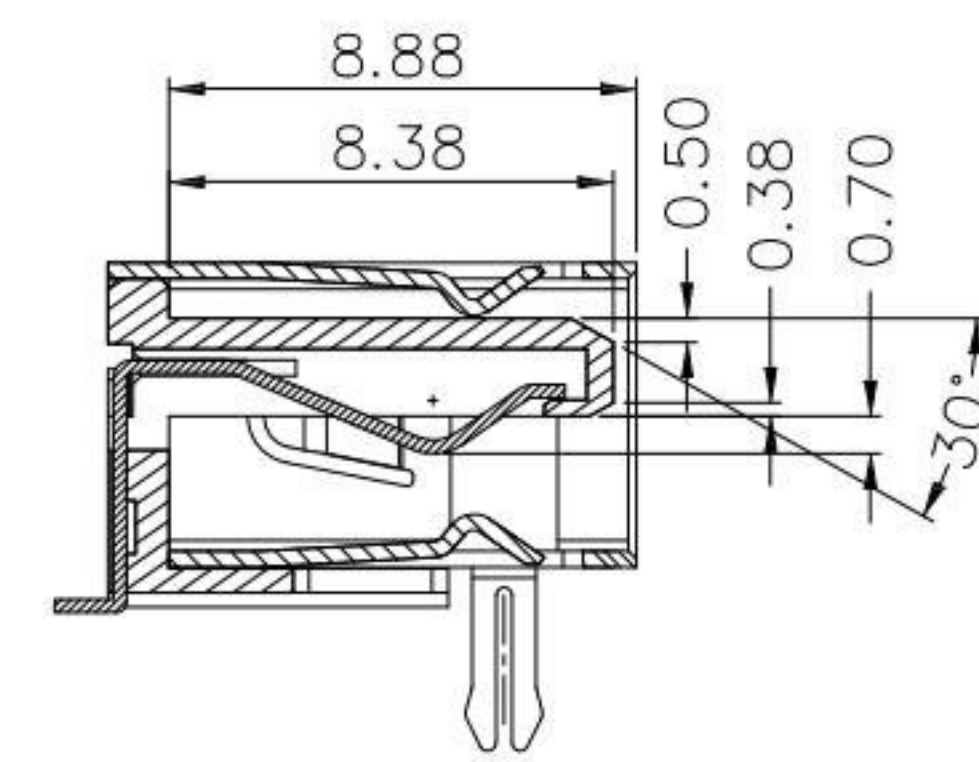
SUA-110M17-x-S235

COLOR :

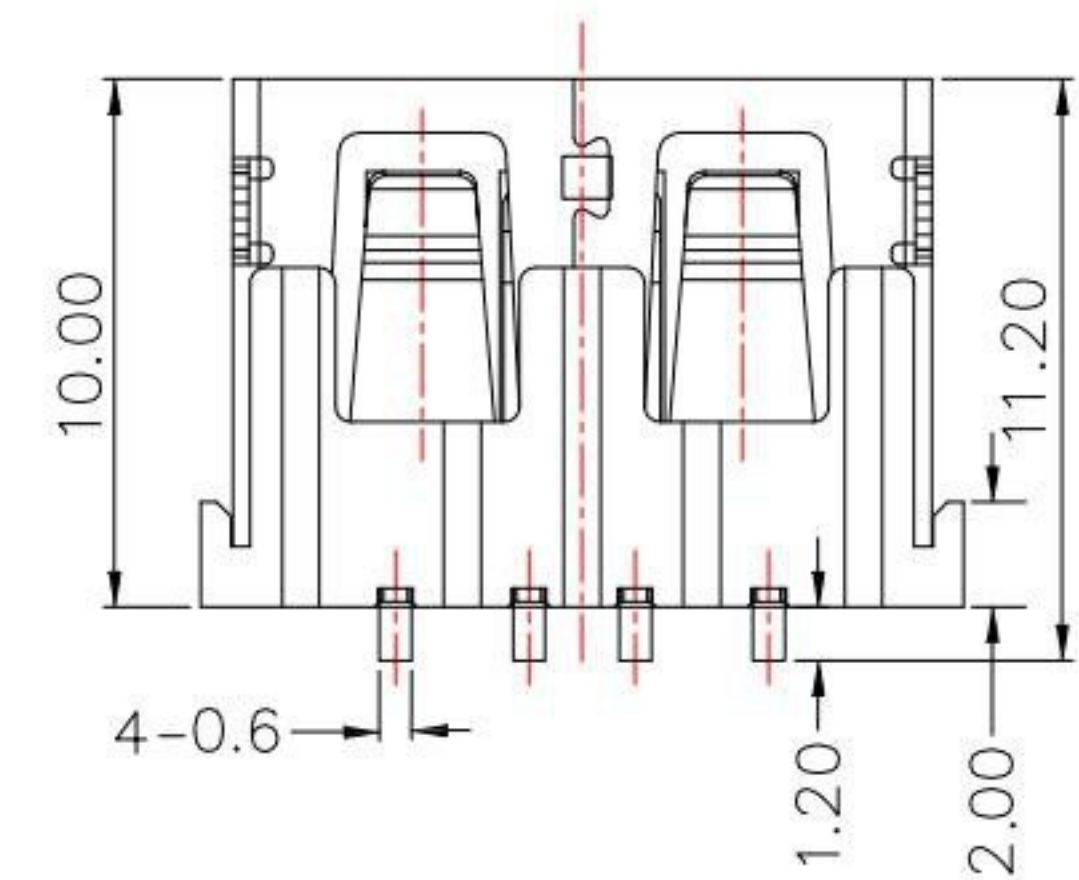
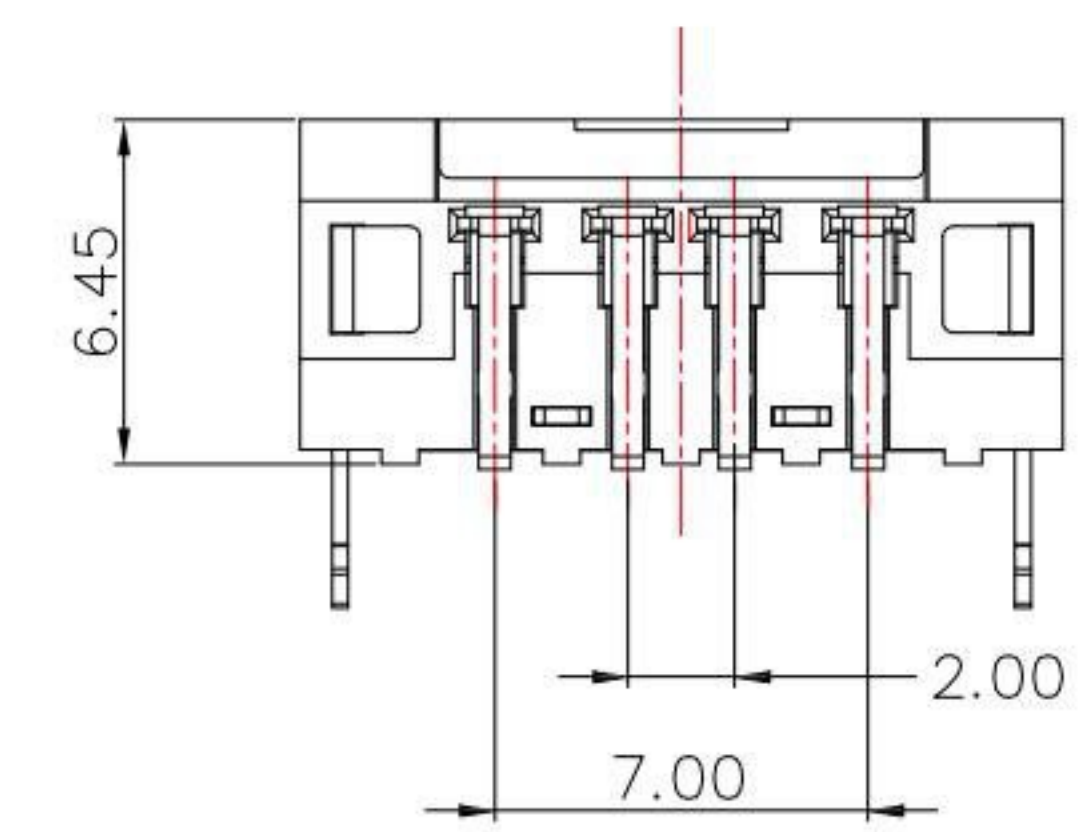
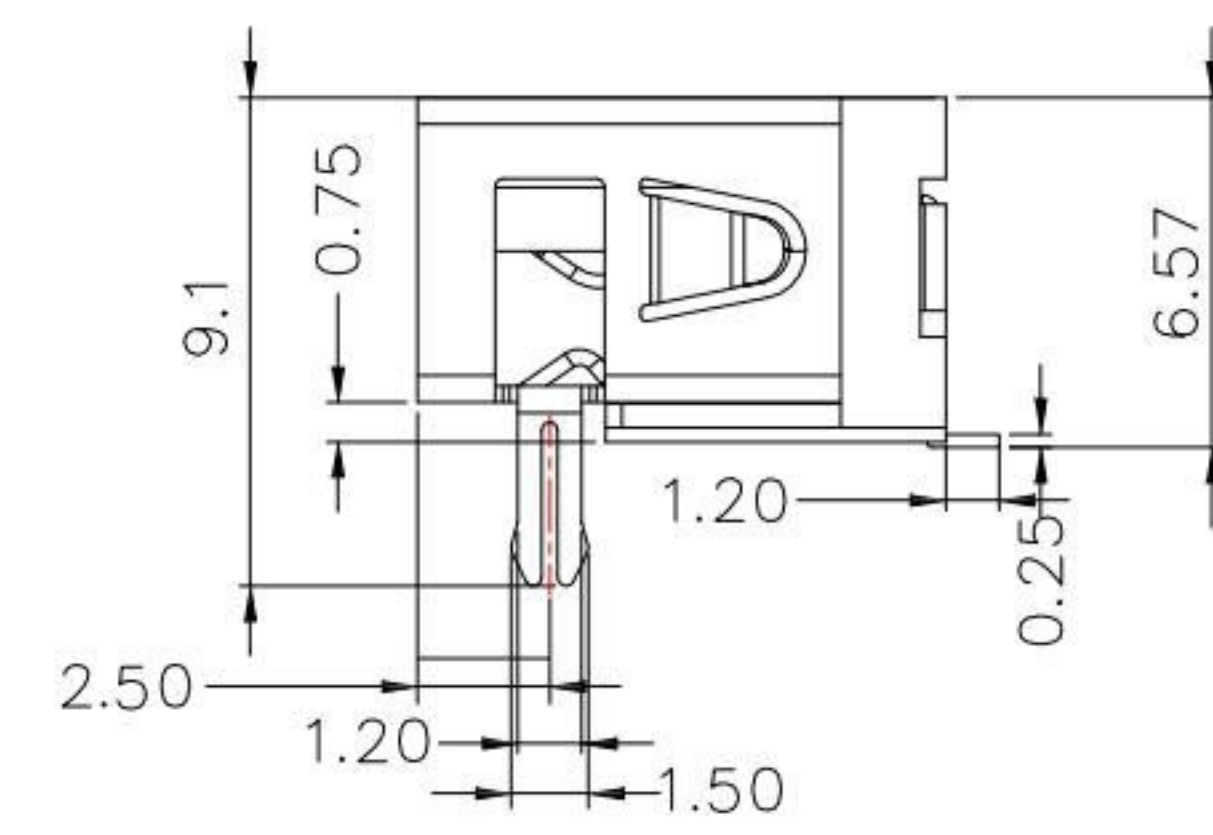
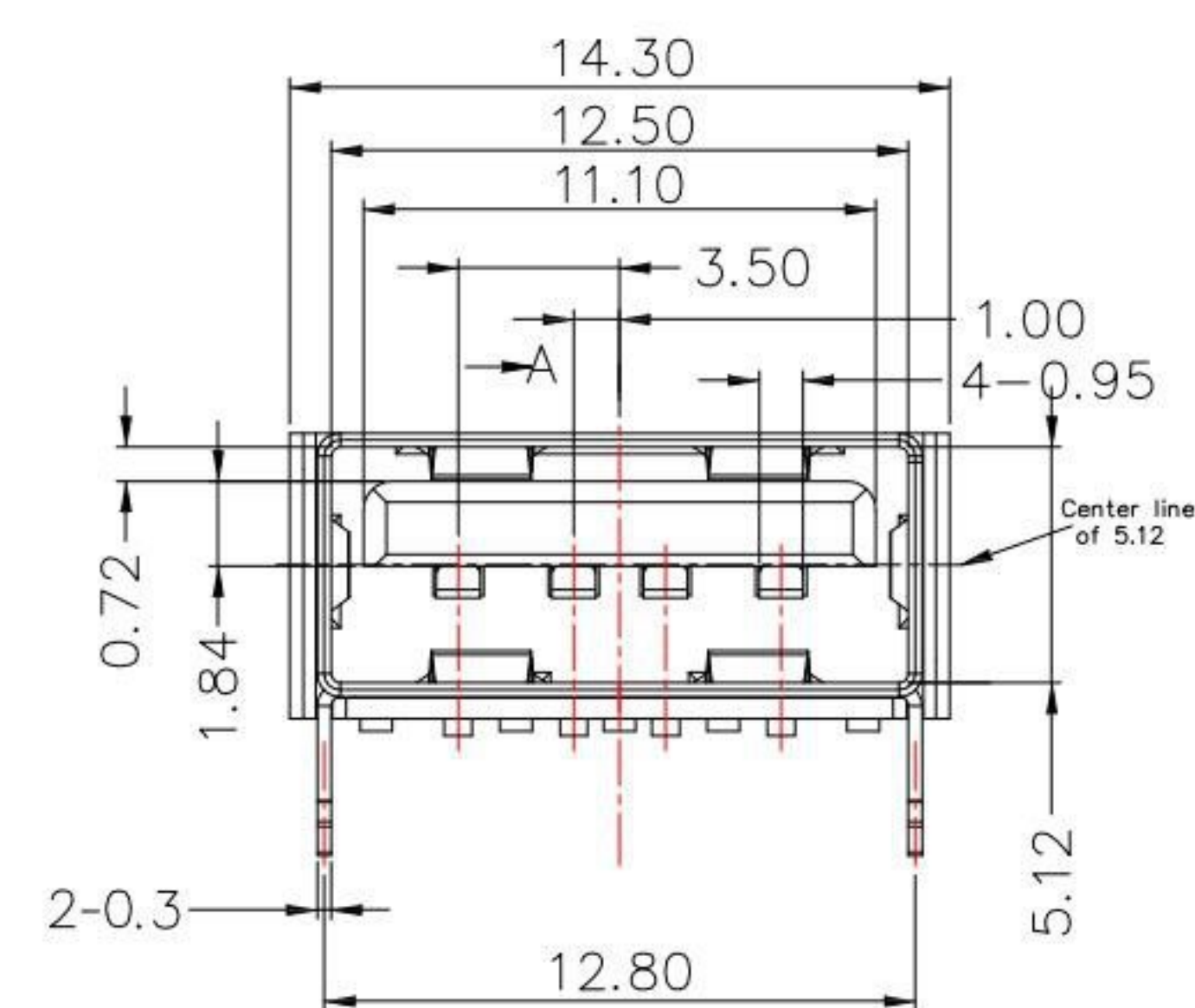
- Black: B
- White : W



FRONT EDGE OF CONNECTOR
PCB LAYOUT



SECTION A-A



SPECIFICATIONS

Electrical:

- 1.Contact Resistance: 30 mΩ Max
- 2.Dielectric Withstanding Voltage: 500 V AC FOR 1 MIN
- 3.Insulation Resistance: 1,000 MΩ Min
- 4.Operating Temperature: -55°C ~ 85°C

Mechanical:

- 1.Insertion force: 35N(3.57 kgf) Max
- 2.Extraction force: 10~35N(1.02~3.57 kgf) Min

Material:

- 1.Housing: LCP , UL 94V-0
- 2.Contact: Brass
- 3.Shell: Brass

Finish:

- 1.Contact: Plated Gold in Mating Area ;
Tin Plated on Solder Balls
Nickel under plated overall
- 2.Shell: Nickel under Plated surface layer

KSD 科斯达电子科技有限公司
SWITCH CONNECTOR KSD ELECTRONIC TECHNOLOGY Co., LTD
全球 互聯零組件 制造企业

TOLERANCE UNLESS OTHERWISE STATED :	Up to 5 ±0.2	3RD. ANGEL'S	UNITS	MM
	Above 5 ~ 15 ±0.3			
	Above 15 ~ 30 ±0.4			
	Above 30 ~ 50 ±0.5			
	Angle ±0.3			

DRAWN BY:	DATE	MAT'L	TITLE	CONNECTOR
Jack Lu	10/13/15			
CHECKED BY:	DATE	FINISH	MODLE	USB A/F 短體(10.0) 前插, SMT 平口 H:6.5mm
Jacky Chen	10/13/15			
APPROVED BY:	DATE	SCALE	1 : 1	DWG NO.
Tony Kao	10/13/15	SHEET NO.	1 of 1	PART NO.
				SUA-110M17-x-S235
				SIZE
				A4
				VER
				A3

5	新增材質表	Jack	101315
4	更新MODLE:H:6.6改6.5mm	Jack	041414
3	新增本體到膠芯高度	Jack	012714
2	新增及更新尺寸	Jack	122613
1	新增及更新尺寸	Jack	122513
ITEM NO.	DESCRIPTION	DRAWN	DATE