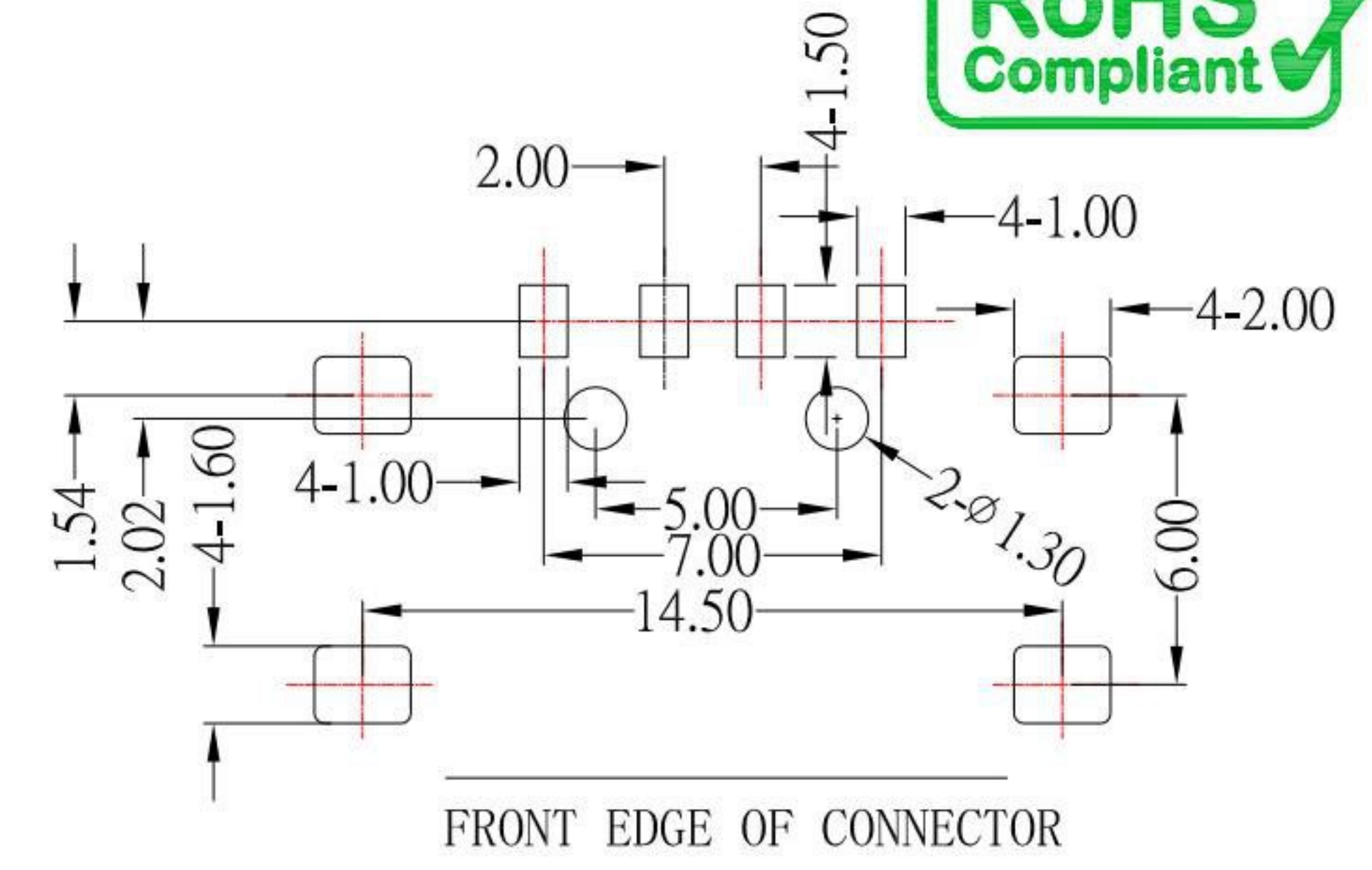
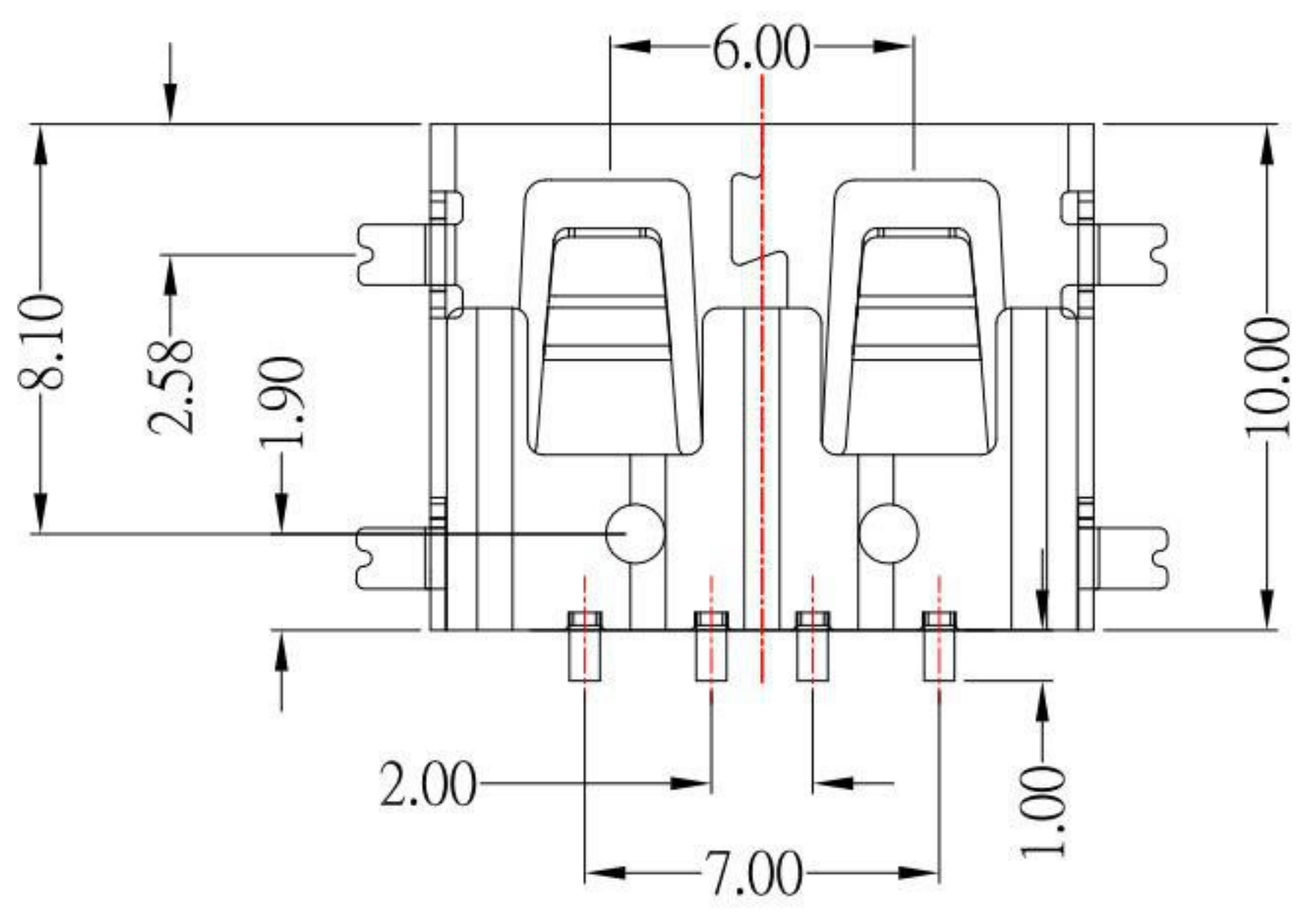
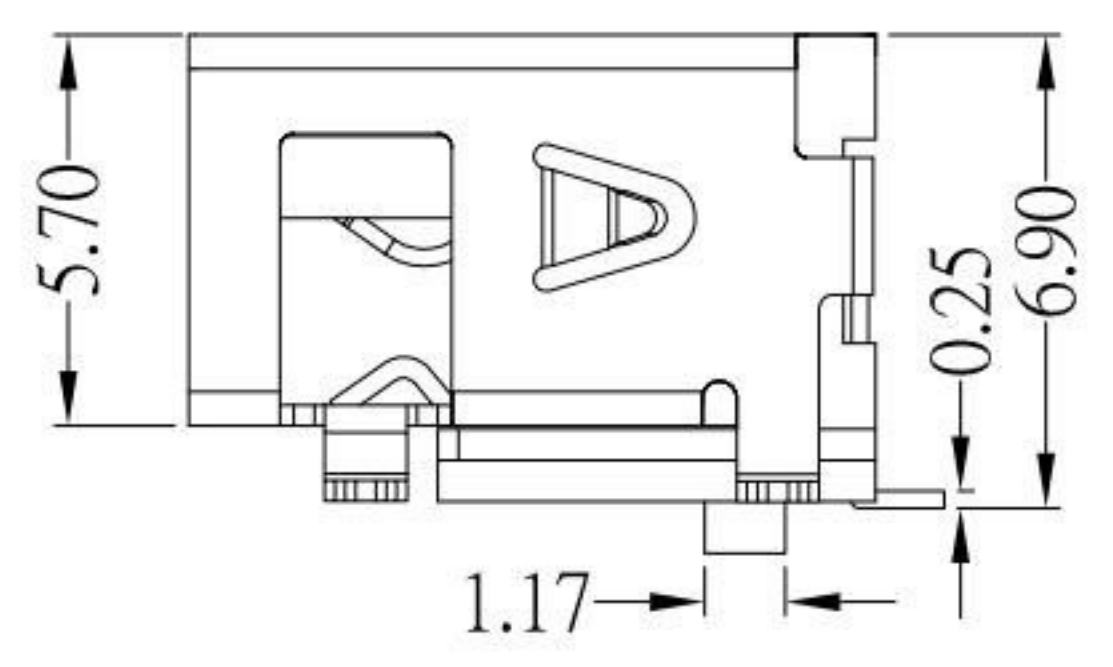
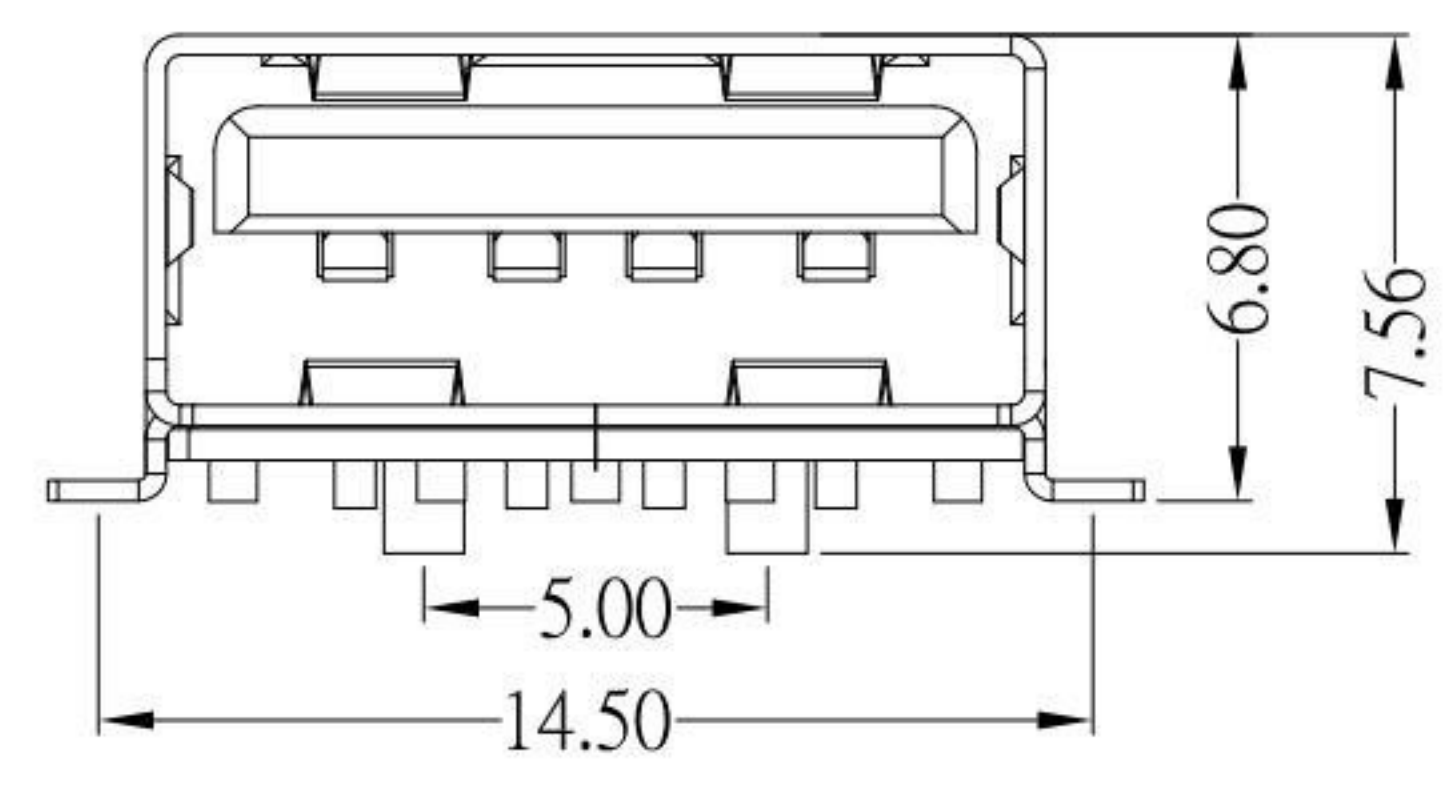
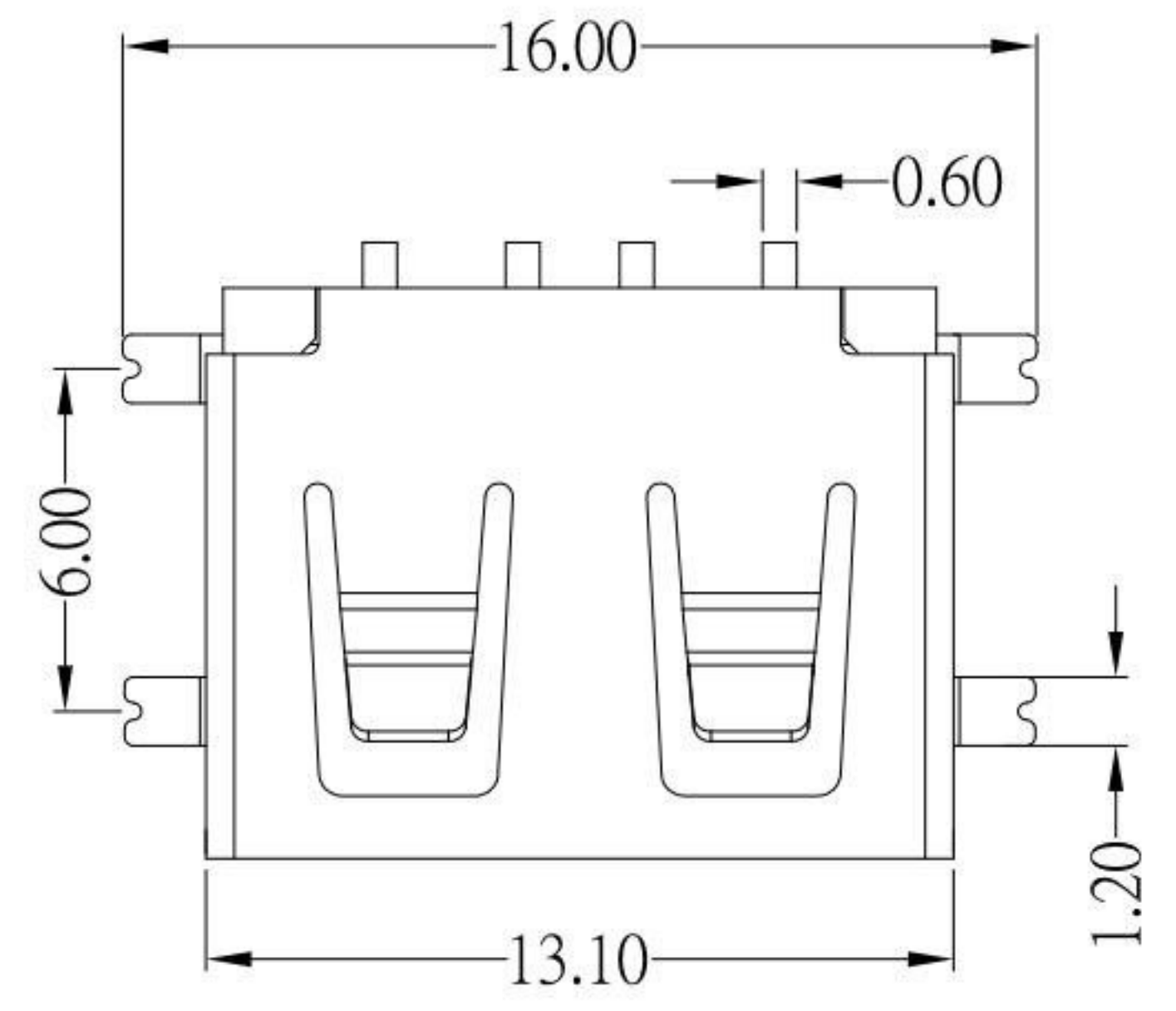




SUA-110M18x-x-S236

Shell Material : _____ COLOR : _____
 Blank : BRASS Black: B
 I : SPCC White : W



P.C.B LAYOUT MOUNTING PATTERN

SPECIFICATIONS

Electrical:

- Contact Resistance: 30 mΩ Max
- Dielectric Withstanding Voltage: 500 V AC FOR 1 MIN
- Insulation Resistance: 1,000 MΩ Min
- Operating Temperature: -55°C ~ 85°C

Mechanical:

- Connector Mate and Unmate Force
 Mate force: 35N(3.57 kgf) Max
 Unmate force: 10~35N(1.02~3.57 kgf) Min

KSD 科斯达电子科技有限公司
 SWITCH CONNECTOR KSD ELECTRONIC TECHNOLOGY Co., LTD
 全球 互联网 零组件 制造企业

TOLERANCE UNLESS OTHERWISE STATED :
 Up to 5 ±0.2
 Above 5 ~ 15 ±0.3
 Above 15 ~ 30 ±0.4
 Above 30 ~ 50 ±0.5
 Angle ±0.3

3RD. ANGEL'S
 UNITS MM

DRAWN BY:	DATE	MAT'L	TITLE	CONNECTOR
Jack Lu	12/18/19			
CHECKED BY:	DATE	FINISH	MODLE	USB A/F 短體10.0 4腳魚叉SMT 無捲邊
Jacky Chen	12/18/19			
APPROVED BY:	DATE	SCALE	DWG NO.	SUA-110M18x-x-S236
Tony Kao	12/18/19	1 : 1	PART NO.	SUA-110M18x-x-S236
		SHEET NO.	1 of 1	

ITEM NO.	DESCRIPTION	DRAWN	DATE