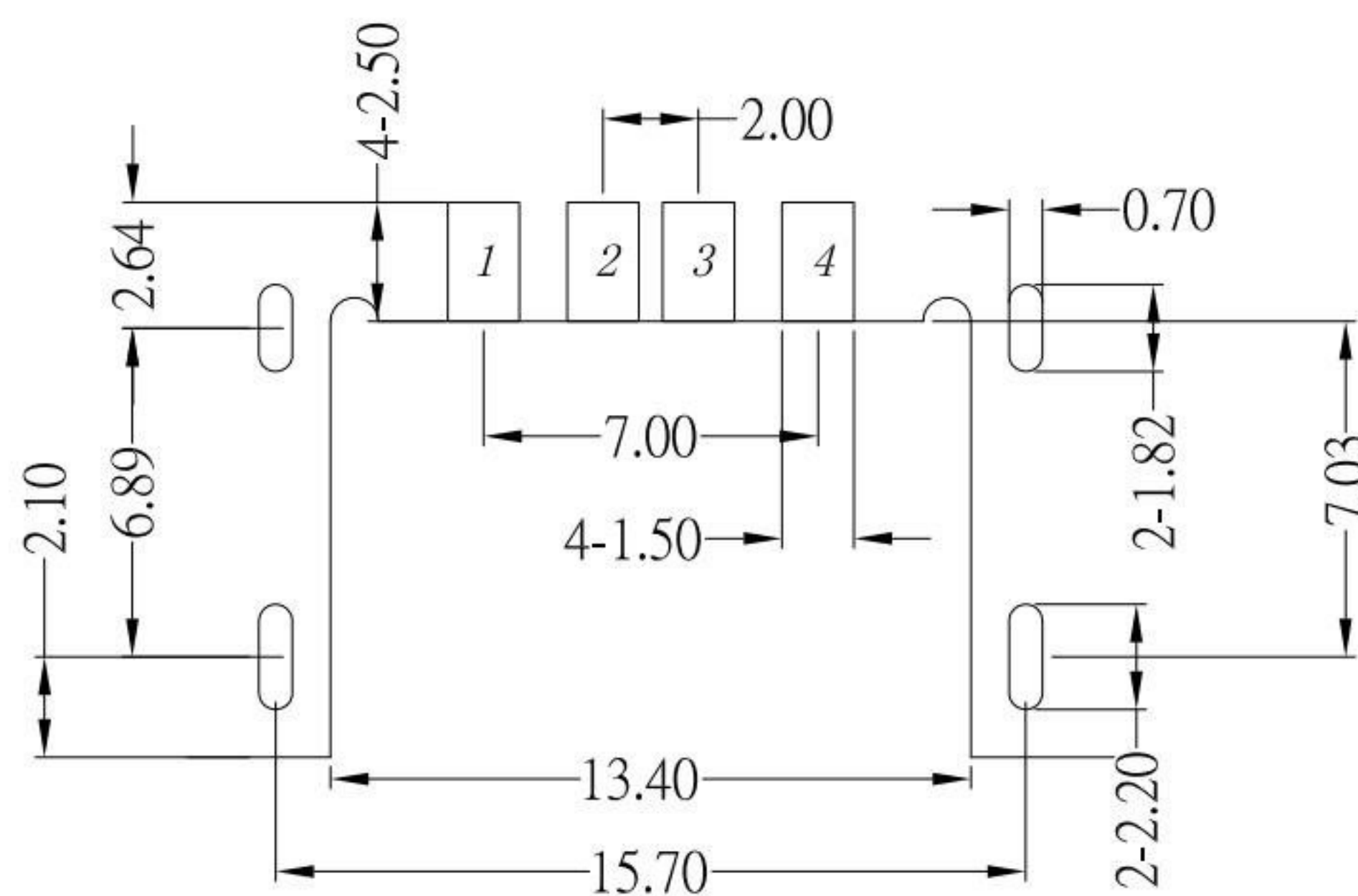
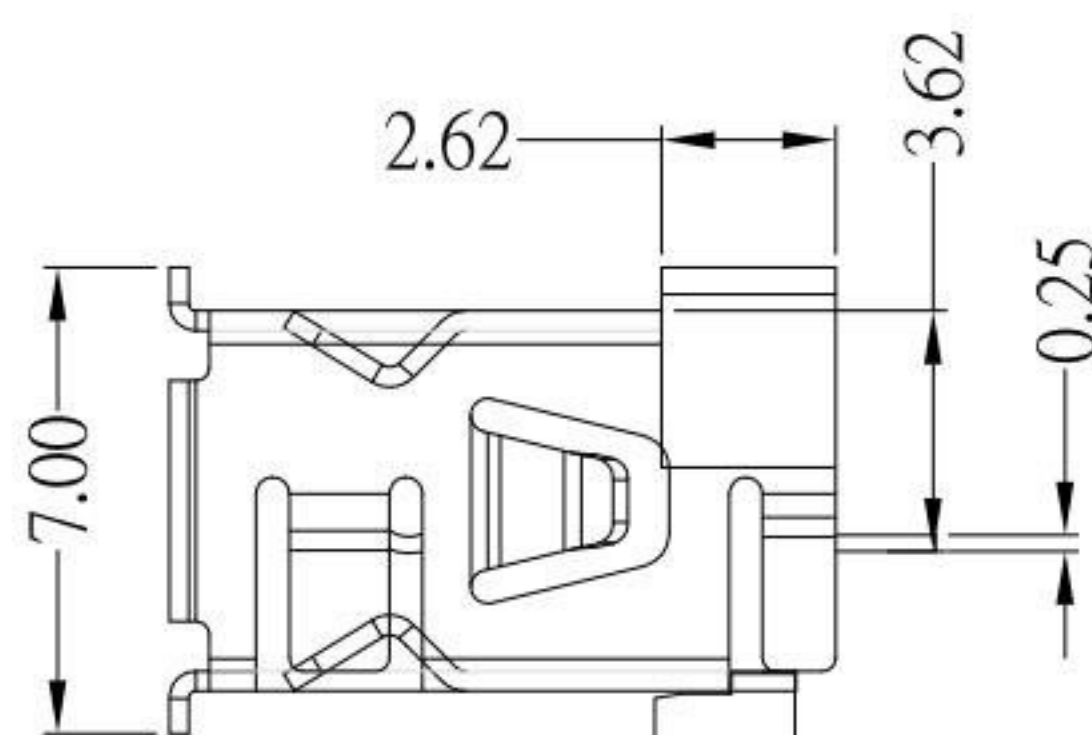
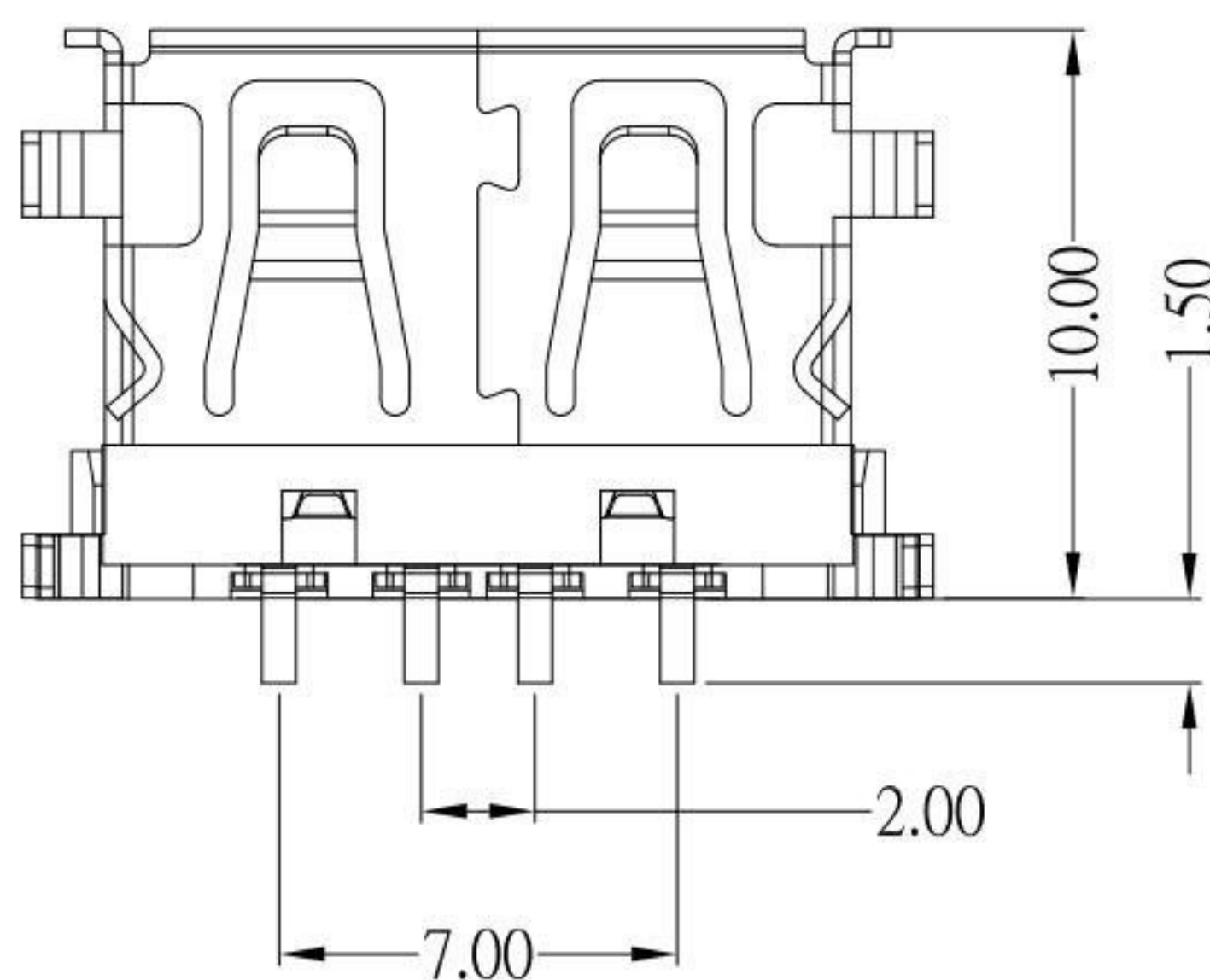
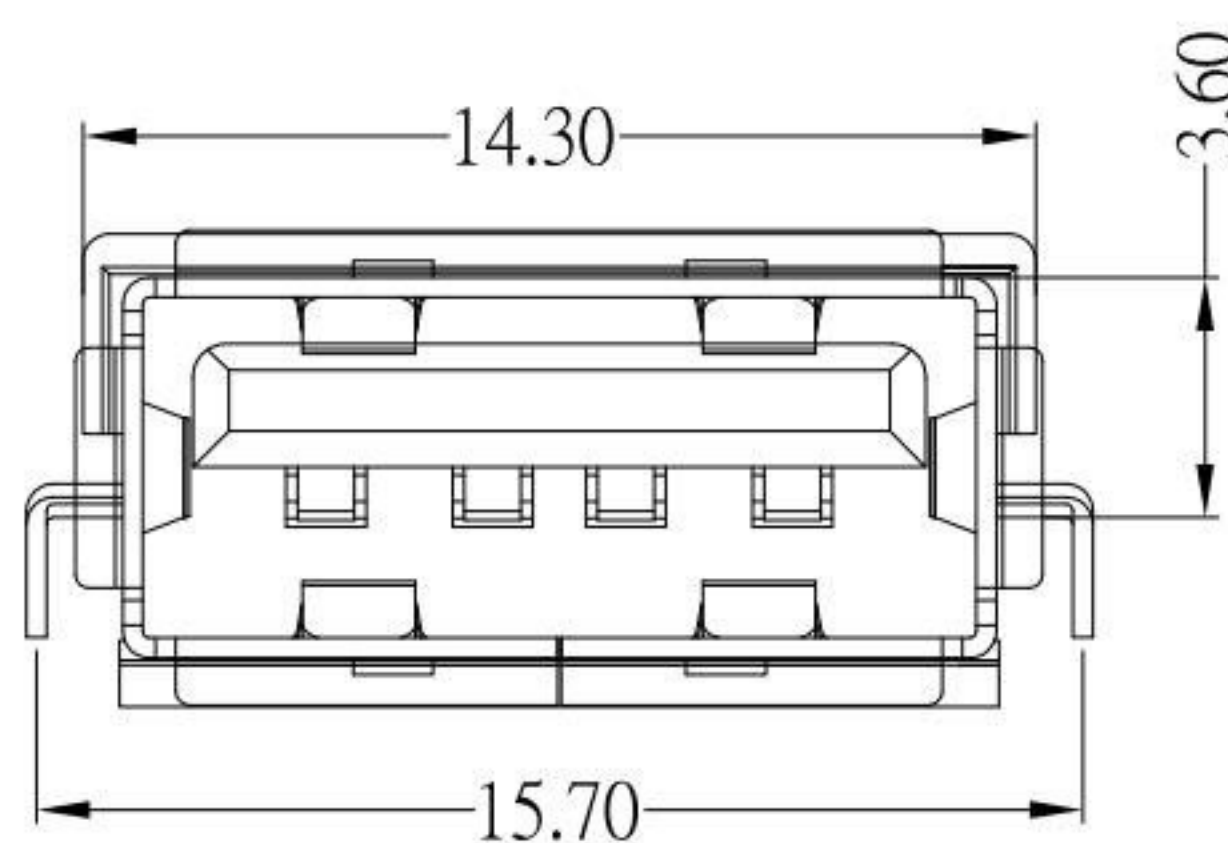
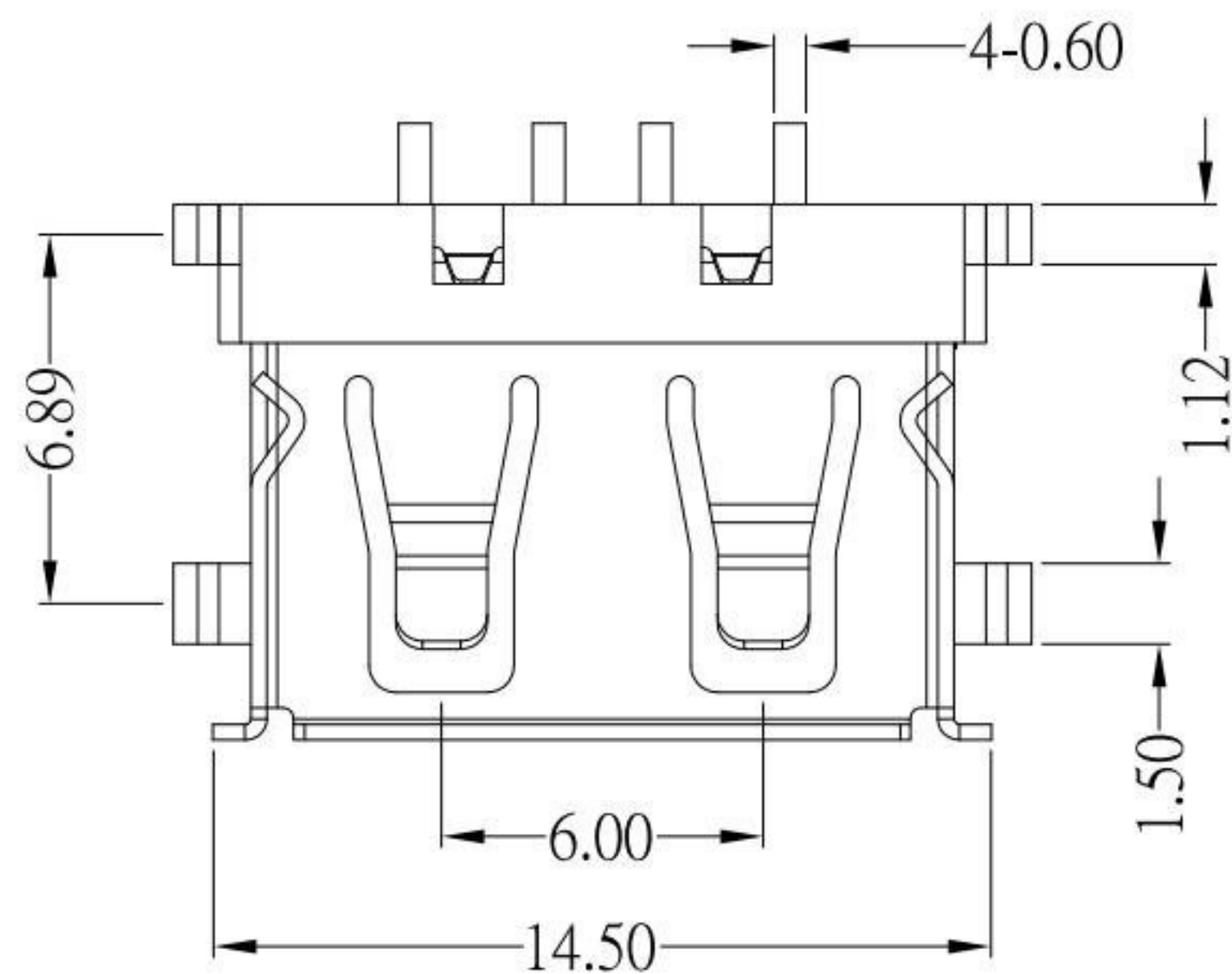




SUA-110M20x-x-S235

Shell Material :
 Blank : Phosphor Bronze
 I : SPCC

Color :
 White : W
 Black : B



RECOMMENDED PCB LAYOUT

SPECIFICATIONS

Electrical:

- 1.Current Rating: 2.0 A Max
- 2.Contact Resistance: 30 mΩ Max
- 3.Insulation Resistance: 1,000 MΩ Min
- 4.Dielectric Withstanding Voltage: 500 V DC

Material:

- 1.Housing: Thermoplastics , UL 94V-0
- 2.Contact: Phosphor Bronze
- 3.Shell: Phosphor Bronze / SPCC

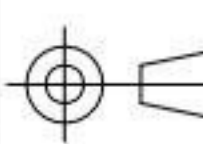
Finish:

- 1.Contact: Plated Gold in Mating Area ;
Tin Plated on Solder Balls ;
Nickel under plated overall
- 2.Shell: Nickel under Plated surface layer

KSD 科斯达电子科技有限公司
 SWITCH CONNECTOR KSD ELECTRONIC TECHNOLOGY Co., LTD
 全球 互聯零組件製造企業

TOLERANCE UNLESS OTHERWISE STATED :
 Up to 5 ±0.2
 Above 5 ~ 15 ±0.3
 Above 15 ~ 30 ±0.4
 Above 30 ~ 50 ±0.5
 Angle ±0.3°

3RD. ANGEL'S



UNITS MM

DRAWN BY: Jack Lu DATE: 12/05/14
 CHECKED BY: Jacky Chen DATE: 12/05/14
 APPROVED BY: Tony Kao DATE: 12/05/14

MAT'L		TITLE	CONNECTOR
FINISH		MODLE	USB 2.0 AF 短體10.0mm 沉板,有捲邊 SMT
SCALE	1 : 1	DWG NO.	SUA-110M20x-x-S235
SHEET NO.	1 of 1	PART NO.	SUA-110M20x-x-S235
		SIZE	A4
		VER	R

ITEM NO.	DESCRIPTION	DRAWN	DATE