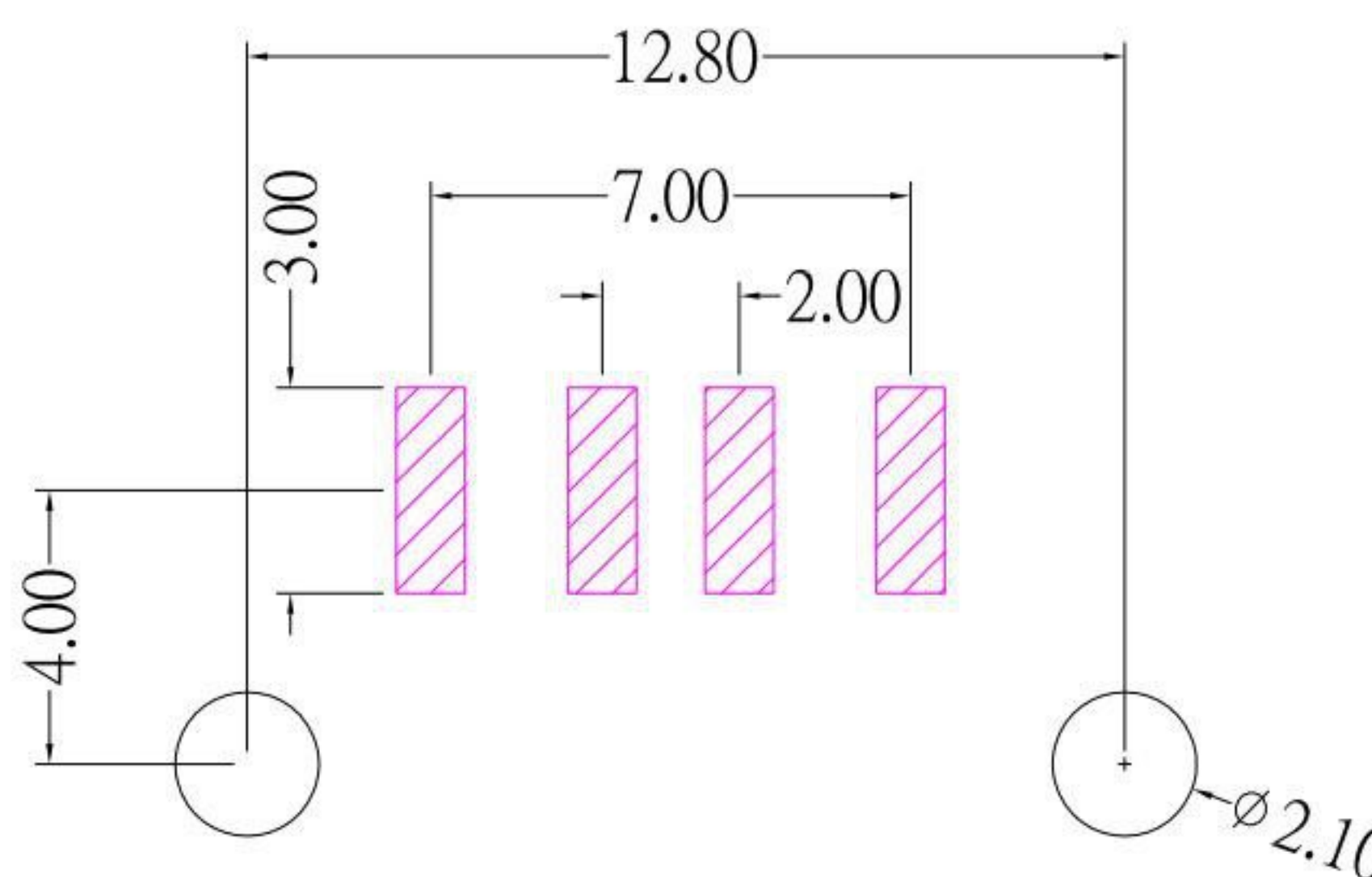
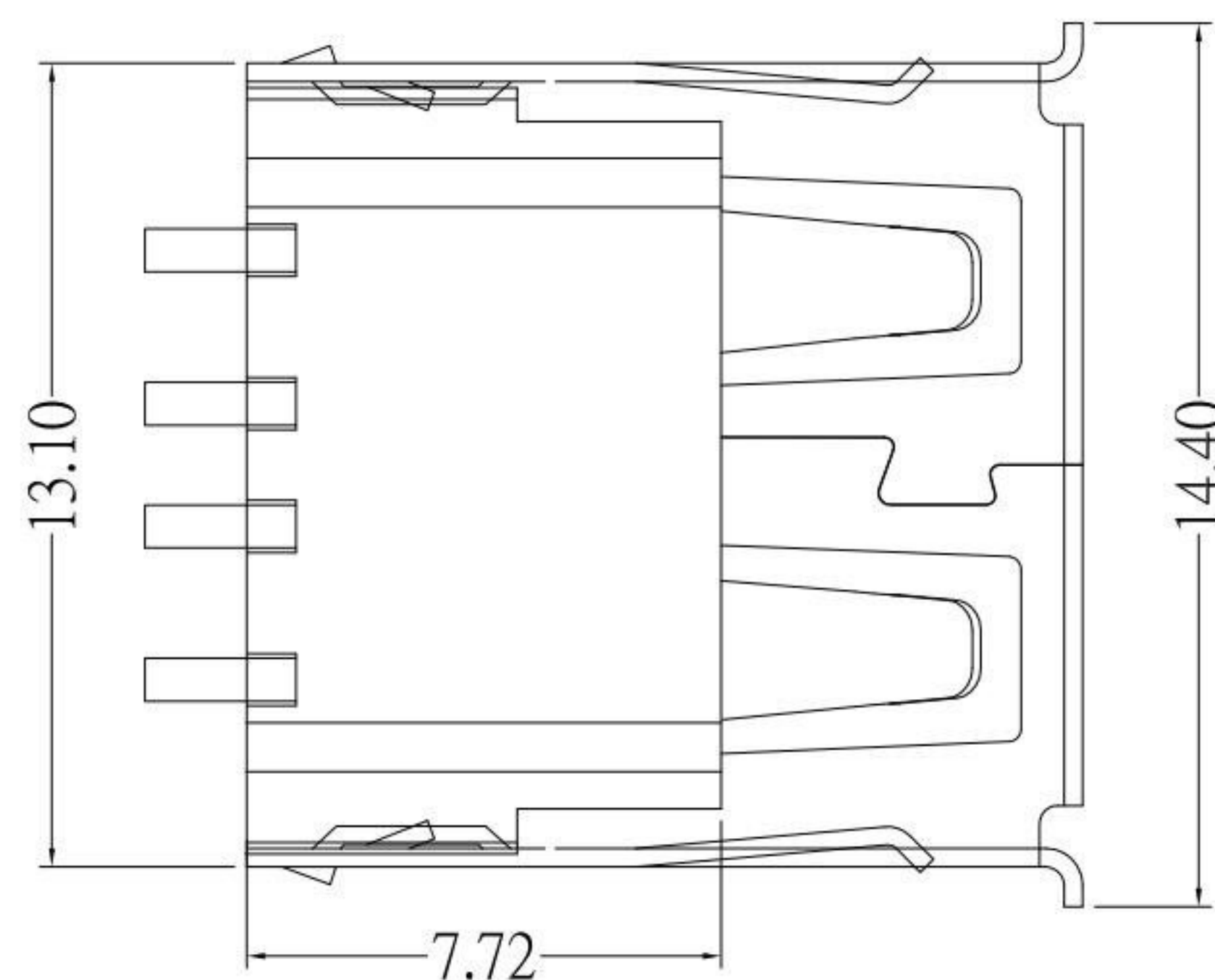
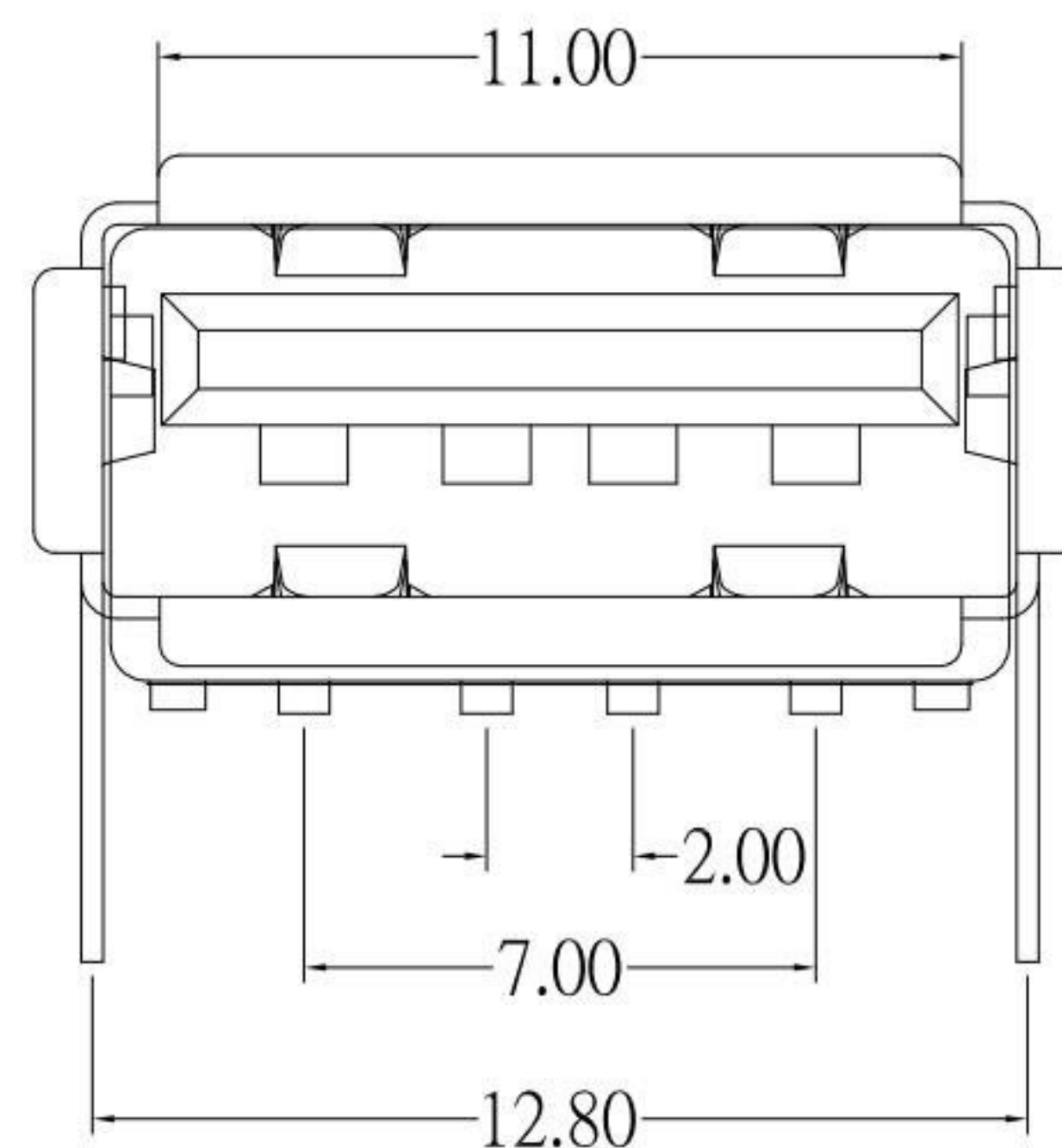
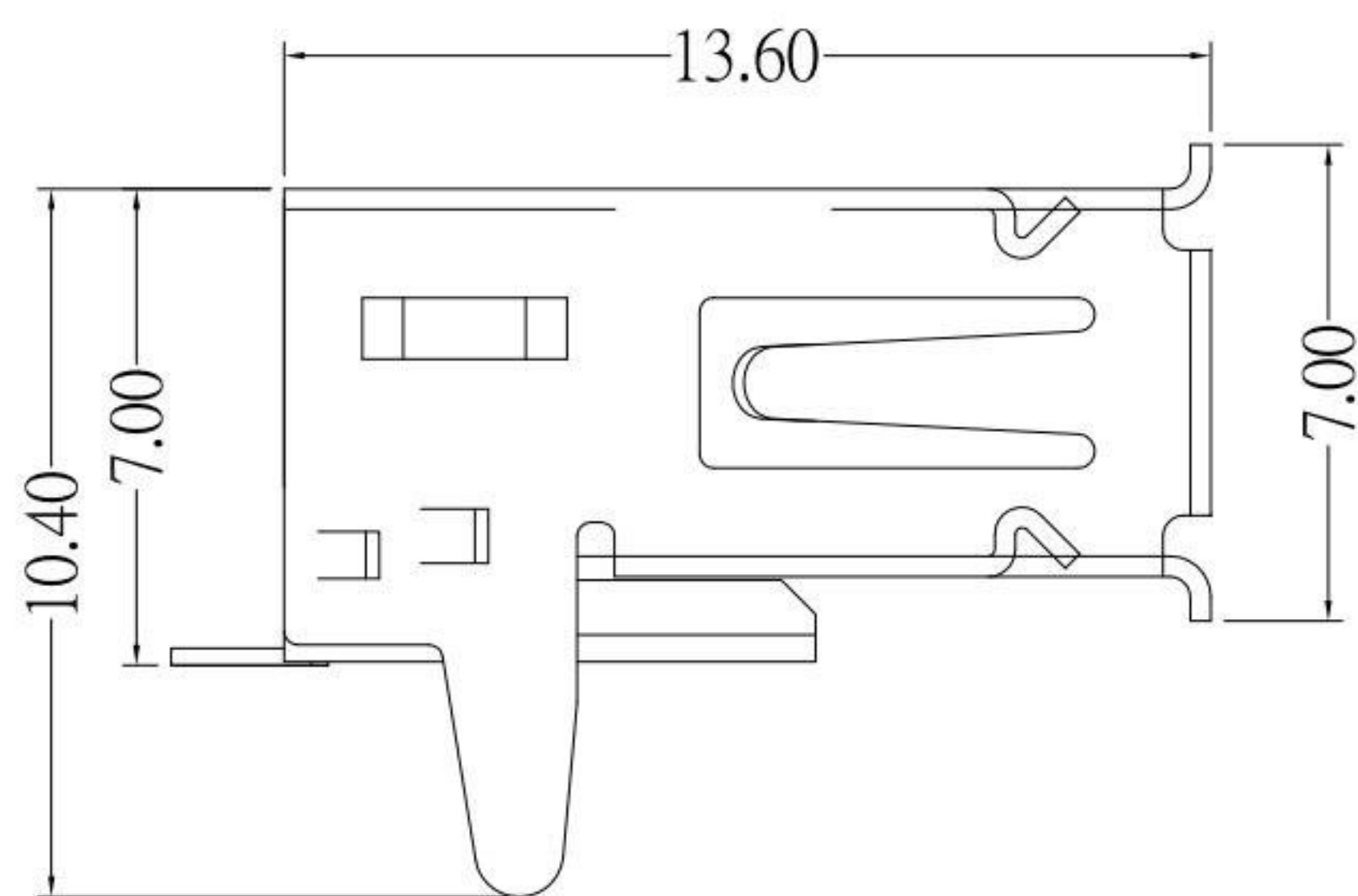




SUA-110M22Bx-x-S236

Shell Material :
 Blank : BRASS
 I : SPCC

Color :
 White : W
 Black : B



P.C.B LAYOUT

SPECIFICATIONS

Electrical:

- Contact Resistance: 30 mΩ Max
- Insulation Resistance: 1,000 MΩ Min
- Dielectric Withstanding Voltage: 500V AC

Material:

- Housing: LCP
- Contact: Phosphor Bronze
- Shell: Brass / Spcc

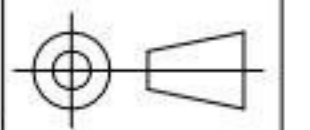
Finish:

- Contact: Plated Gold in Mating Area ;
Tin Plated on Solder Balls ;
Nickel under plated overall
- Shell: Nickel under Plated surface layer

KSD 科斯达电子科技有限公司
 SWITCH CONNECTOR KSD ELECTRONIC TECHNOLOGY Co., LTD
 全球 互联网 零组件 制造企业

TOLERANCE UNLESS OTHERWISE STATED:
 Up to 5 ±0.2
 Above 5 ~ 15 ±0.3
 Above 15 ~ 30 ±0.4
 Above 30 ~ 50 ±0.5
 Angle ±0.3°

3RD. ANGEL'S



UNITS MM

DRAWN BY: Jack Lu
 CHECKED BY: Jacky Chen
 APPROVED BY: Tony Kao
 DATE: 04/18/19

MATL		TITLE	CONNECTOR
FINISH		MODLE	USB 2.0 AF R/A SMT 外殼直腳 無後蓋
SCALE	1 : 1	DWG NO.	SUA-110M22Bx-x-S236
SHEET NO.	1 of 1	PART NO.	SUA-110M22Bx-x-S236

ITEM NO.	DESCRIPTION	DRAWN	DATE