



# SUA-110M36x-x-S236

Shell Material :	Color :
Blank : BRASS	White : W
I : SPCC	Black : B

## SPECIFICATIONS

### Electrical:

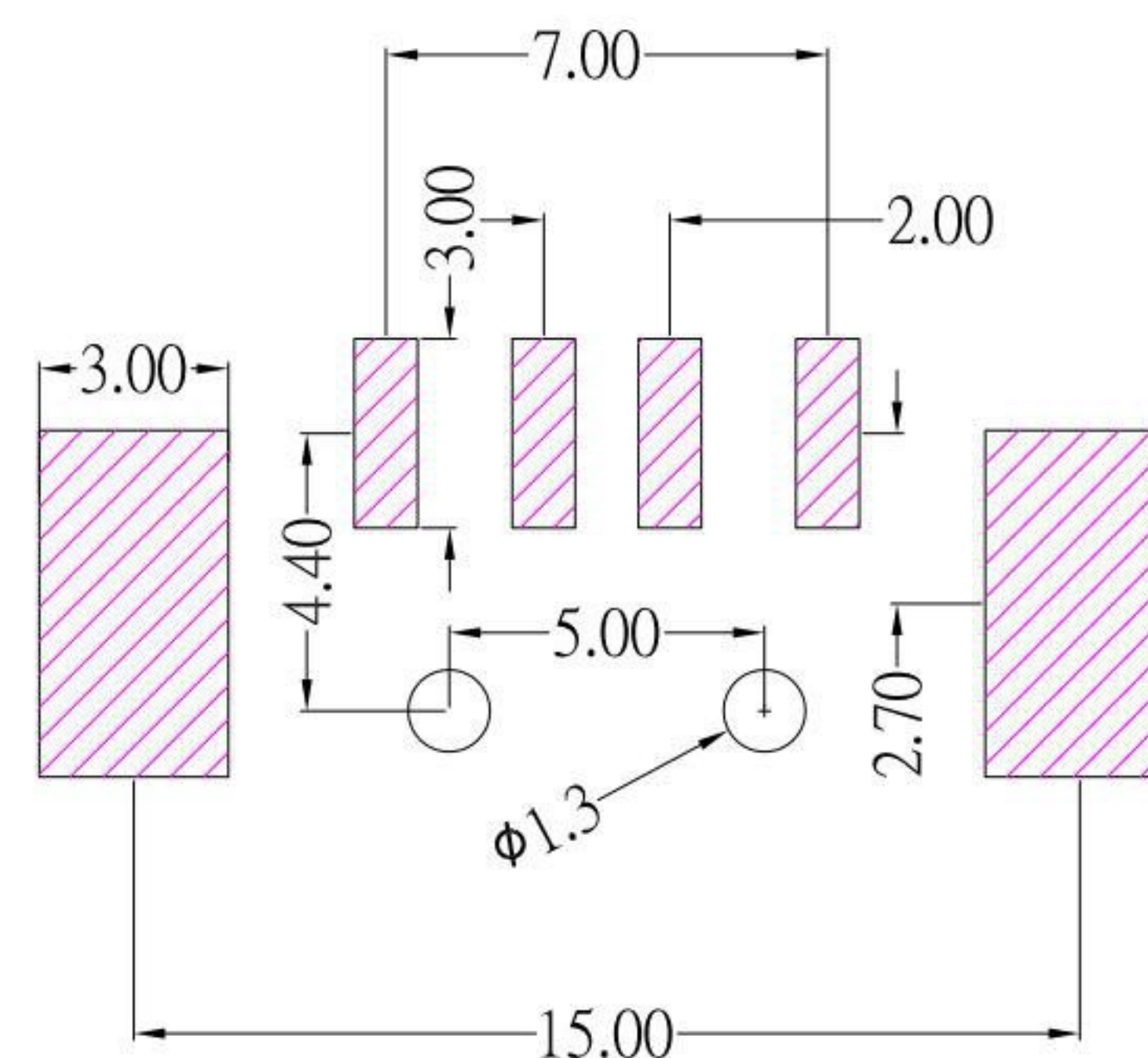
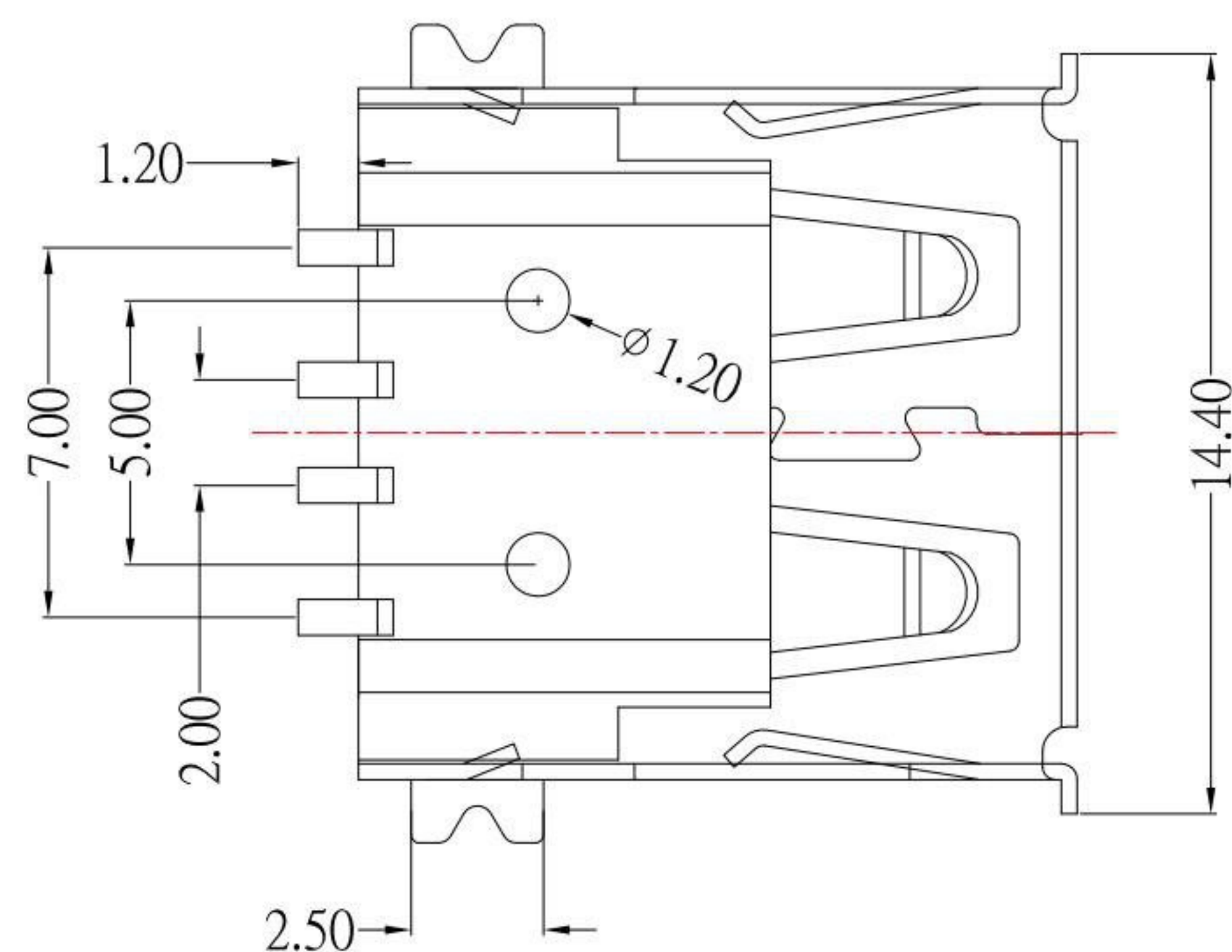
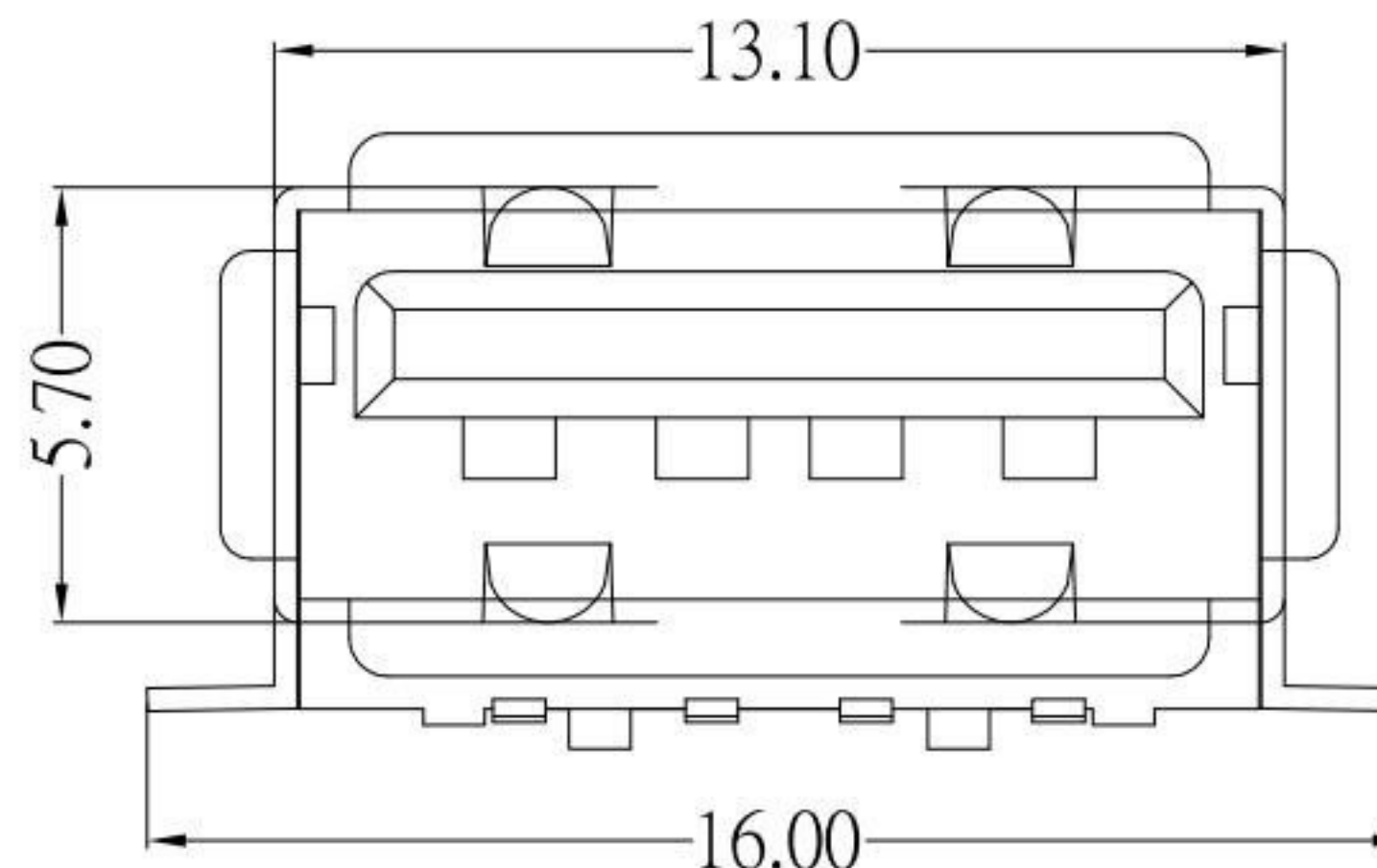
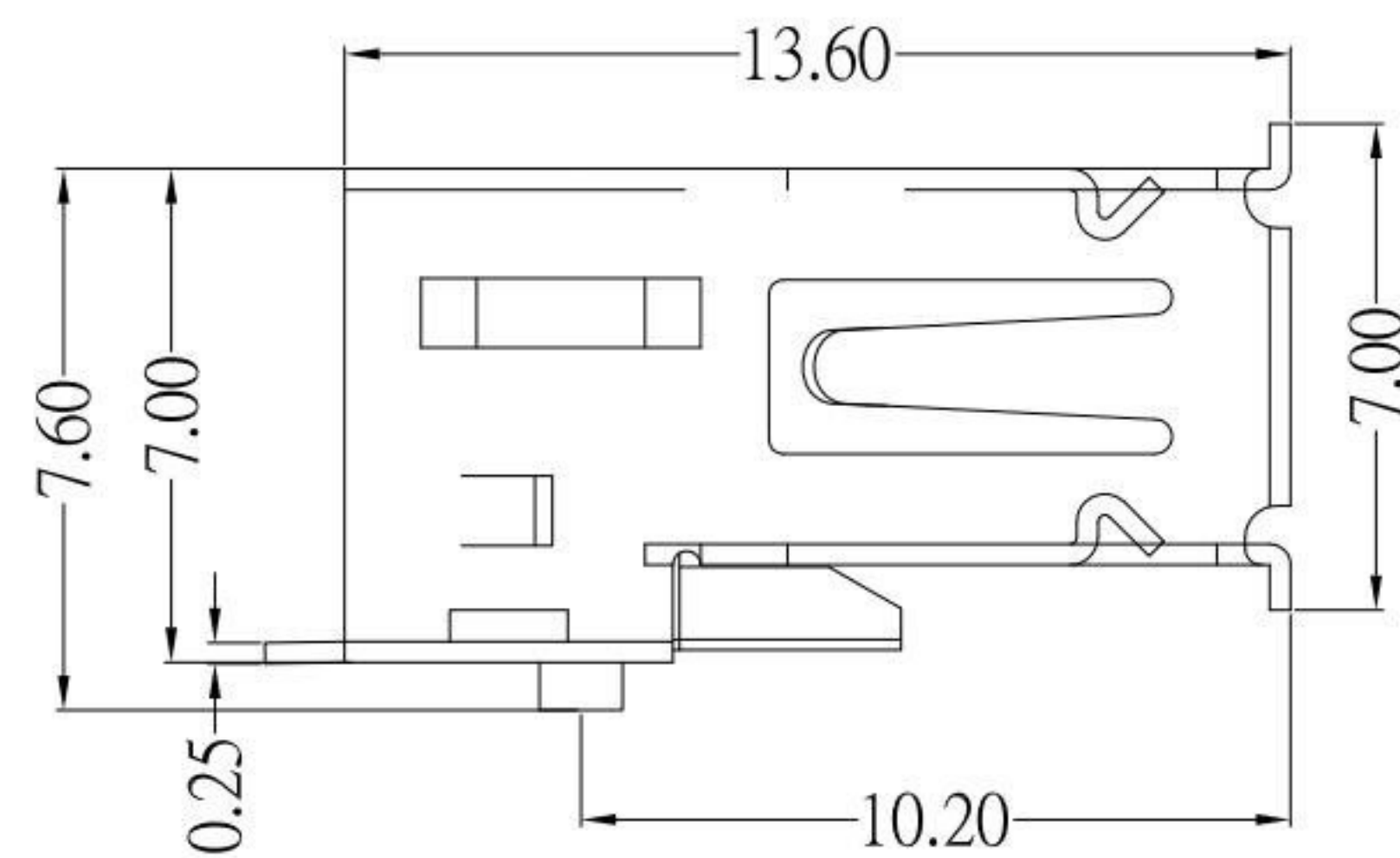
- 1.Contact Resistance: 30 mΩ Max
- 2.Insulation Resistance: 1,000 MΩ Min
- 3.Dielectric Withstanding Voltage: 500 V AC

### Material:

- 1.Housing: LCP
- 2.Contact: Brass
- 3.Shell: Brass / SPCC

### Finish:

- 1.Contact: Plated Gold in Mating Area ;  
Tin Plated on Solder Balls ;  
Nickel under plated overall
- 2.Shell: Nickel under Plated surface layer



RECOMMENDED PCB LAYOUT

**KSD** 科斯达电子科技有限公司  
SWITCH CONNECTOR 全球 互联零组件制造企业  
KSD ELECTRONIC TECHNOLOGY Co., LTD

2	更新Contact材質	Jack	021422
1	新增尺寸	Jack	082820
ITEM NO.	DESCRIPTION	DRAWN	DATE

TOLERANCE UNLESS OTHERWISE STATED :  
 Up to 5 ±0.2  
 Above 5 ~ 15 ±0.3  
 Above 15 ~ 30 ±0.4  
 Above 30 ~ 50 ±0.5  
 Angle ±0.3

3RD. ANGEL'S

UNITS MM

DRAWN BY:	DATE	MAT'L	TITLE	CONNECTOR
Jack Lu	02/14/22		MODLE	USB AF SMT 外殼魚叉腳貼板 有捲邊 有柱1.2mm
CHECKED BY:	DATE	FINISH	DWG NO.	SUA-110M36x-x-S236
Jacky Chen	02/14/22		PART NO.	SUA-110M36x-x-S236
APPROVED BY:	DATE	SCALE	1 : 1	
Tony Kao	02/14/22	SHEET NO.	1 of 1	
		SIZE	A4	
		VER	R2	