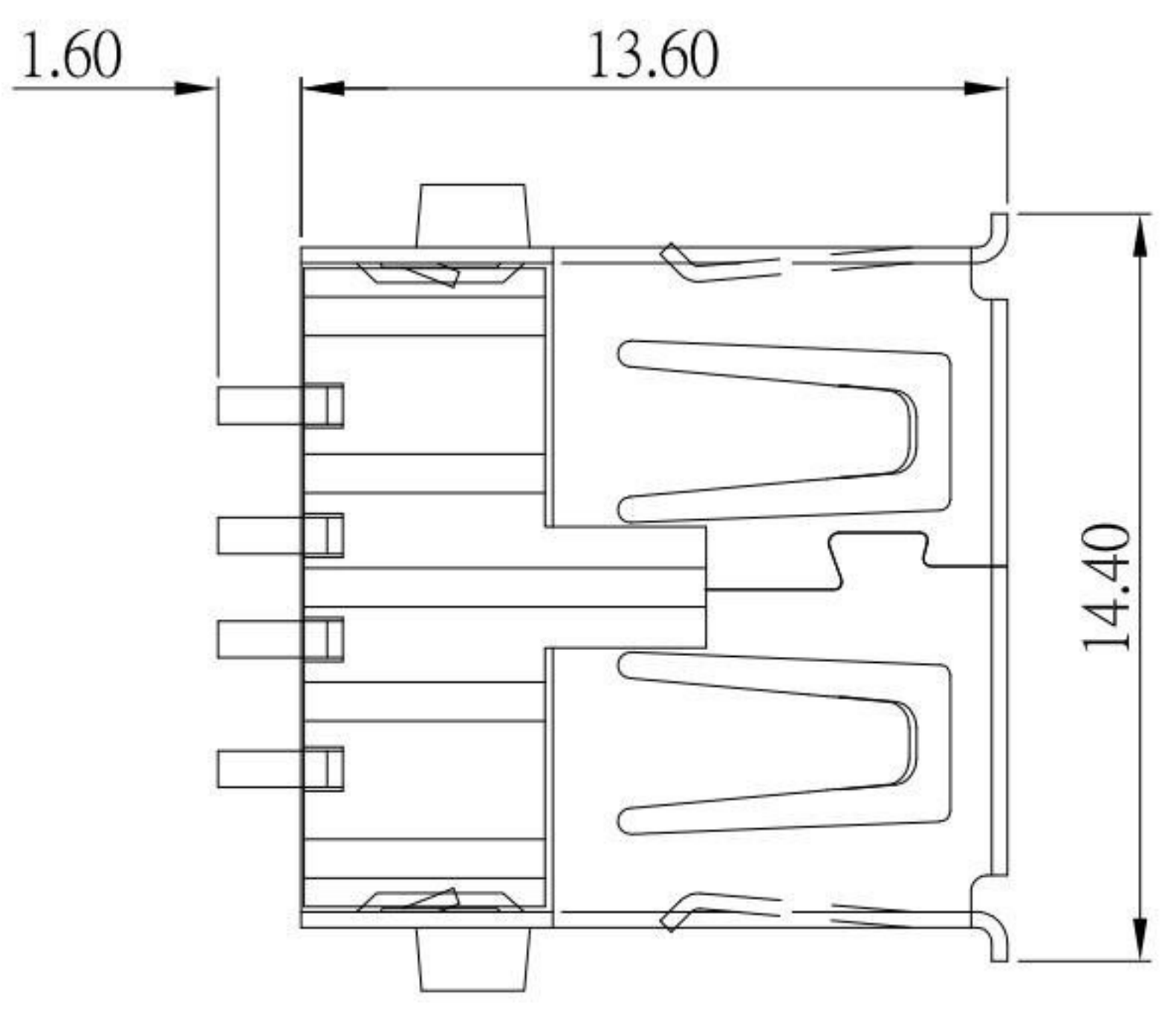


P.C.B LAYOUT MOUNTING PATTERN



SUA-110M7Ax-x-S236

Shell Material :	COLOR :
Blank : BRASS	Black: B
I : SPCC	White : W

SPECIFICATIONS

Electrical:

- 1.Rating: 1.5A , 30V AC
- 2.Contact Resistance: 30 mΩ Max
- 3.Dielectric Withstanding Voltage: 500 V AC
- 4.Insulation Resistance: 1,000 MΩ Min
- 5.Operating Temperature: -35°C ~ 85°C

Material:

- 1.Housing: LCP
- 2.Contact: Phosphor Bronze
- 3.Shell: Brass / Spcc

Finish:

- 1.Contact: Plated Gold in Mating Area ;  
Tin Plated on Solder Balls ;  
Nickel under plated overall
- 2.Shell: Nickel under Plated surface layer

**KSD** 科斯达电子科技有限公司  
 SWITCH CONNECTOR KSD ELECTRONIC TECHNOLOGY Co., LTD  
 全球 互联零组件制造企业

TOLERANCE UNLESS OTHERWISE STATED :	Up to 5 ±0.2	3RD. ANGEL'S	UNITS	MM
	Above 5 ~ 15 ±0.3			
	Above 15 ~ 30 ±0.4			
	Above 30 ~ 50 ±0.5			
	Angle ±0.3			

DRAWN BY:	DATE	MAT'L	TITLE	CONNECTOR
Jack Lu	05/03/22			
CHECKED BY:	DATE	FINISH	MODLE	USB AF SMT 無後蓋外殼彎角 反向
Jacky Chen	05/03/22			
APPROVED BY:	DATE	SCALE	DWG NO.	SUA-110M7Ax-x-S236
Tony Kao	05/03/22	1 : 1		
		SHEET NO.	PART NO.	SUA-110M7Ax-x-S236
		1 of 1		

2	更新樣式	Jack	050322
1	更新圖面	Jack	090921
ITEM NO.	DESCRIPTION	DRAWN	DATE