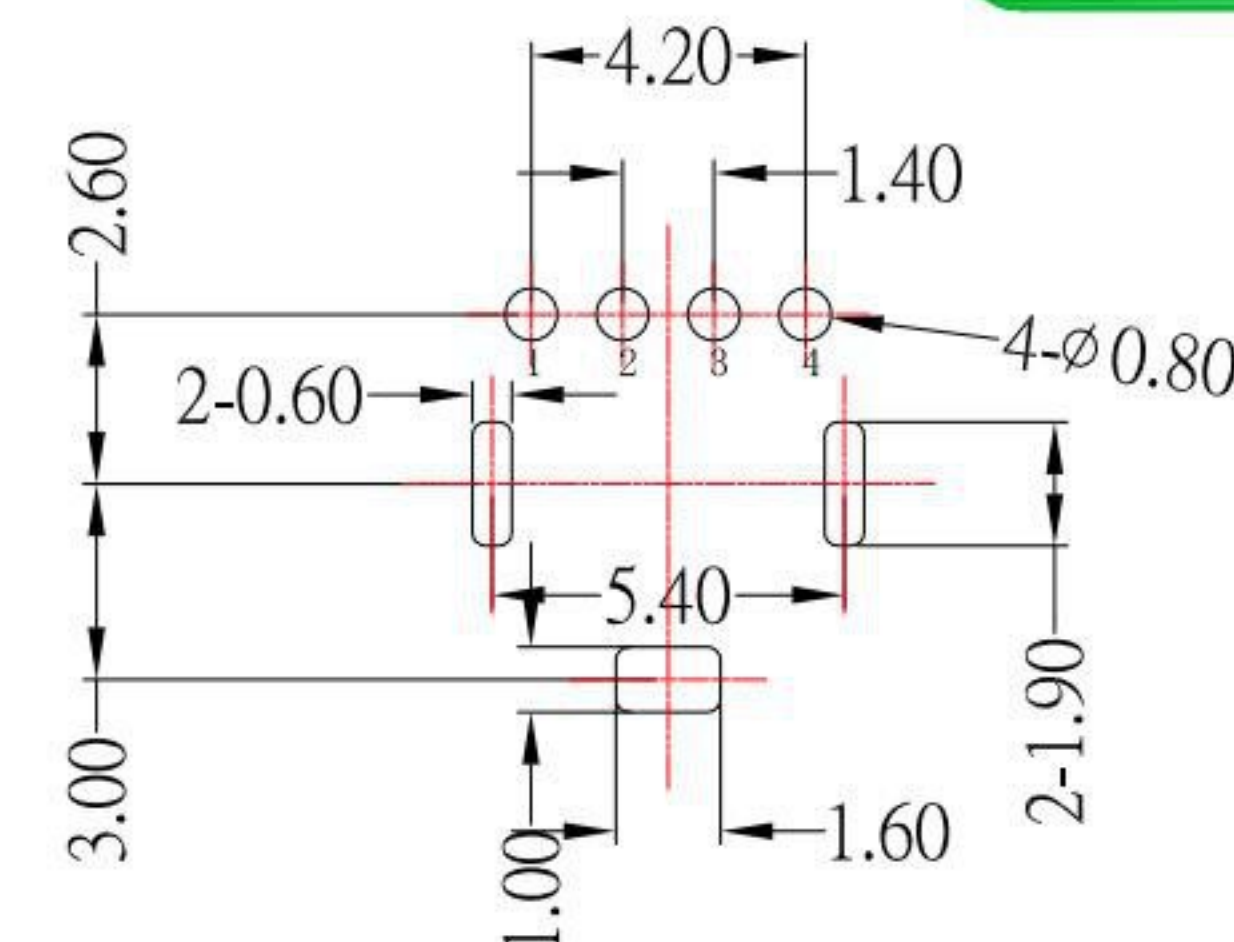


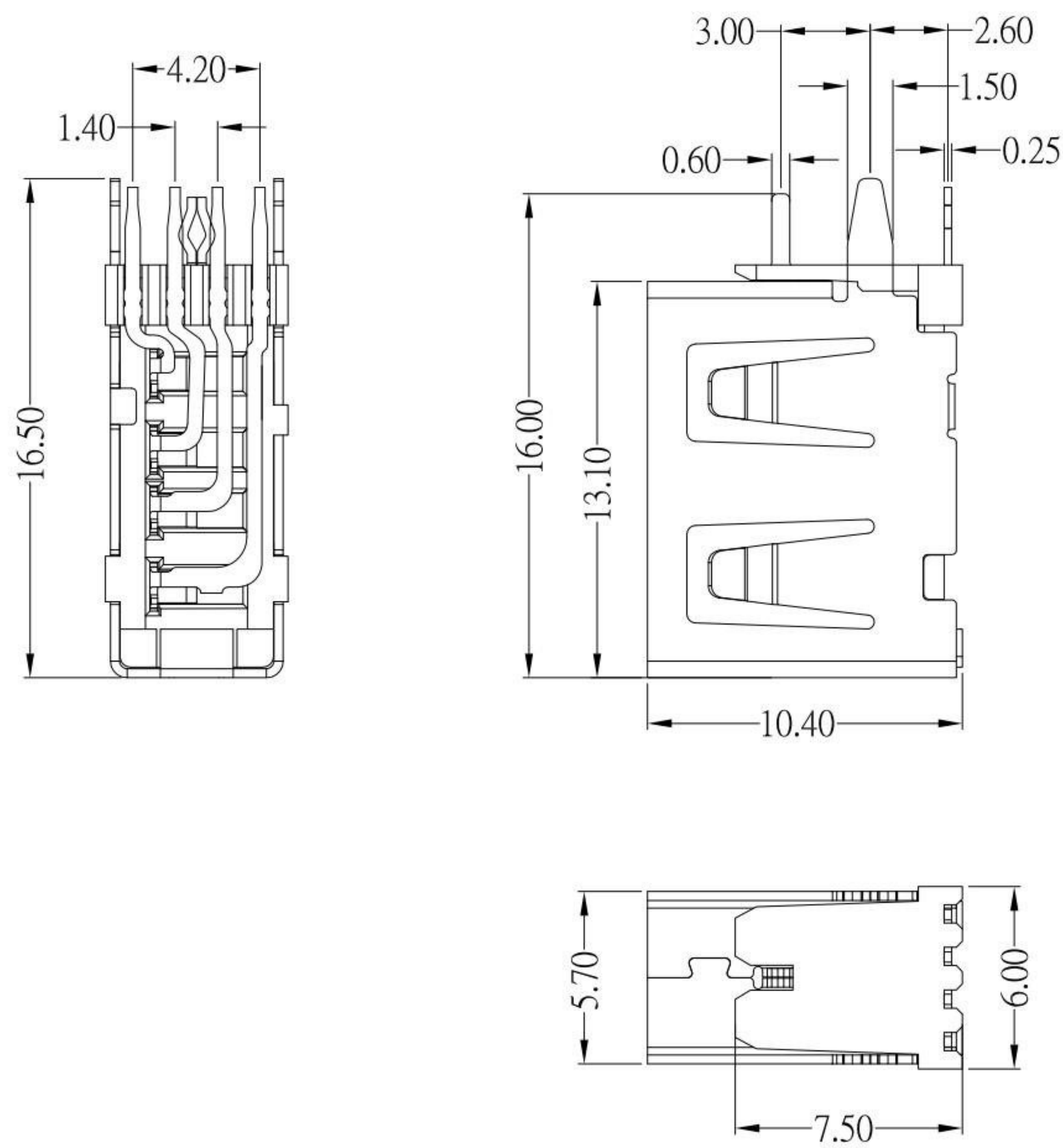


SUA-110P13Cx-x-S236

SHELL :	鍍層厚度 :
Blank : BRASS	Blank : 1u"
I : SPCC	2 : 15u"
	3 : 30u"



PCB LAYOUT MOUNTING PATTERN



SPECIFICATIONS

Electrical:

- 1.Rated Current: 2.0 A Max
- 2.Dielectric Withstanding Voltage: AC 500 V / 1MIN
- 3.Insulation Resistance: 1,000 MΩ Min
- 4.Contact Resistance: 30 mΩ Max

Material:

- 1.Housing: PBT
- 2.Contact: PhosphorBronze
- 3.Shell: Brass / Spcc

Finish:

- 1.Contact: Plated Gold in Mating Area ;
Tin Plated on Solder Balls ;
Nickel under plated overall
- 2.Shell: Nickel under Plated surface layer

KSD 科斯达电子科技有限公司
 SWITCH CONNECTOR KSD ELECTRONIC TECHNOLOGY Co., LTD
 全球 互联网 零组件 制造企业

TOLERANCE UNLESS OTHERWISE STATED :	Up to 5 ±0.2	Above 5 ~ 15 ±0.3	Above 15 ~ 30 ±0.4	Above 30 ~ 50 ±0.5	Angle ±0.3
	3RD. ANGEL'S		UNITS	MM	

DRAWN BY:	DATE	MAT'L	TITLE	CONNECTOR
Jack Lu	05/12/20			
CHECKED BY:	DATE	FINISH	MODLE	USB AF 側插短體無捲邊 L=10.40mm
Jacky Chen	05/12/20			
APPROVED BY:	DATE	SCALE	DWG NO.	SUA-110P13Cx-x-S236
Tony Kao	05/12/20	1 : 1		
		SHEET NO.	PART NO.	SUA-110P13Cx-x-S236
		1 of 1		

ITEM NO.	DESCRIPTION	DRAWN	DATE