

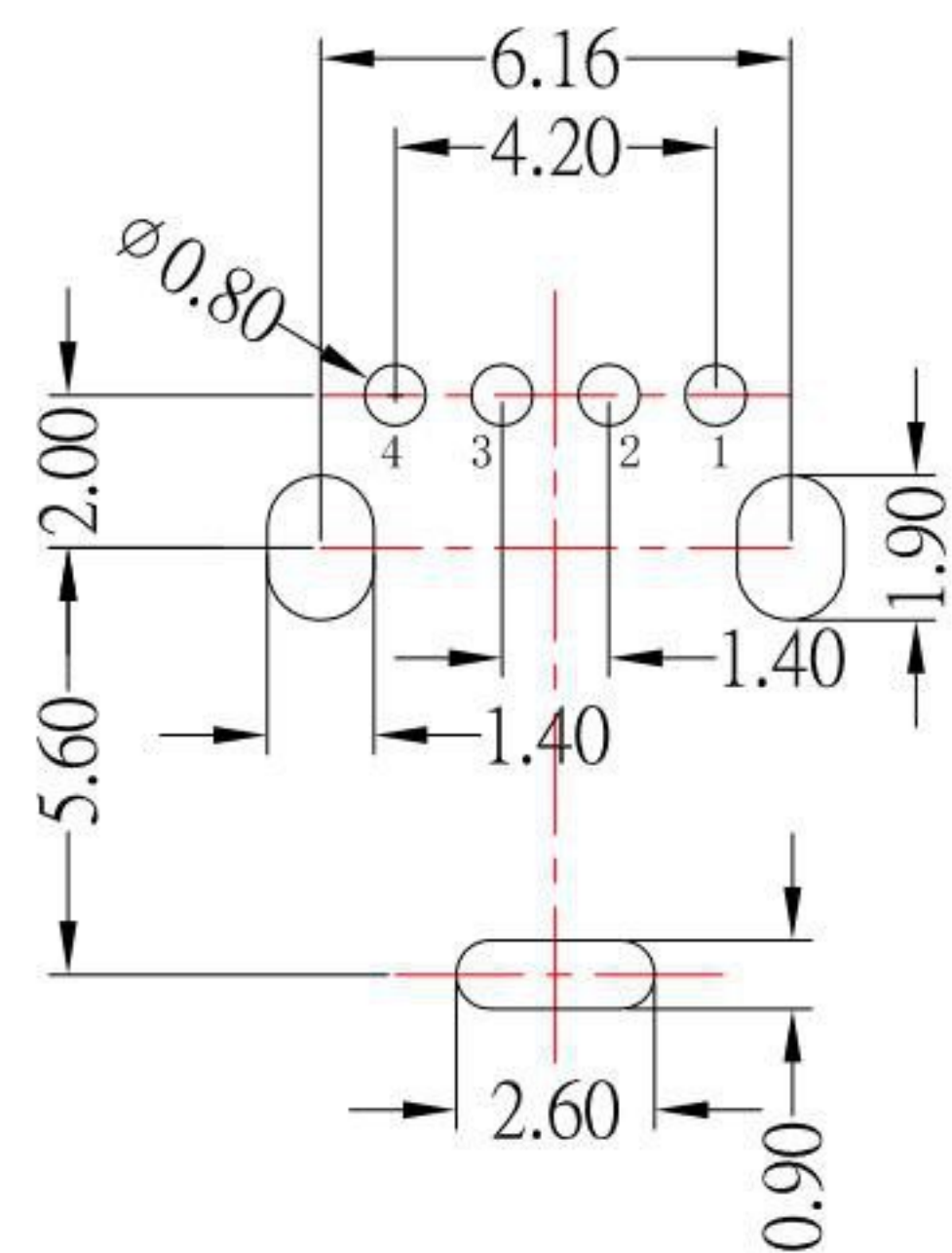
SUA-110P3x-x-S236

SHELL :

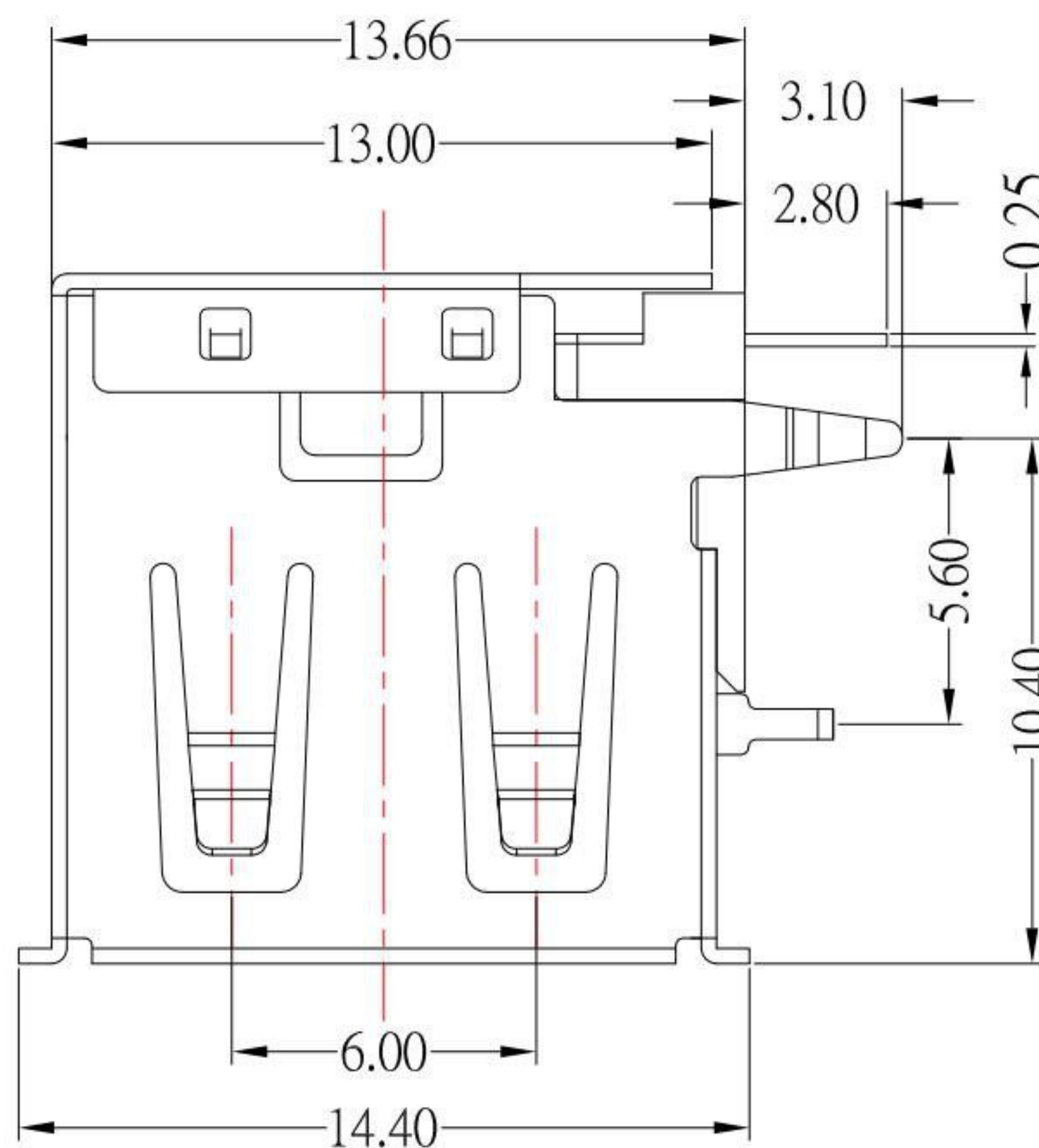
Blank : Brass  
I : SPCC

COLOR :

Black: B  
White : W



PCB LAYOUT MOUNTING PATTERN



**SPECIFICATIONS**

**Electrical:**

1. Rated Voltage: 30V
2. Rated Current: 1.0 A
3. Dielectric Withstanding Voltage: AC 500 V / 1MIN
4. Insulation Resistance: 1,000 MΩ Min
5. Contact Resistance: 30 mΩ Max

**Material:**

1. Housing: PBT
2. Contact: Brass
3. Shell: Brass / SPCC

**Finish:**

1. Contact: Plated Gold in Mating Area ;  
Tin Plated on Solder Balls  
Nickel under plated overall
2. Shell: Nickel under Plated surface layer

4	更新材質	Jack	032922
3	新增尺寸及更新PIN編碼及更新SPEC	Jack	040120
2	新增尺寸	Jack	072519
1	新增尺寸	Jack	050319
ITEM NO.	DESCRIPTION	DRAWN	DATE

**KSD** 科斯达电子科技有限公司  
 SWITCH CONNECTOR KSD ELECTRONIC TECHNOLOGY Co., LTD  
 全球 互聯零組件 制造企业

TOLERANCE UNLESS OTHERWISE STATED :

Up to 5	±0.2
Above 5 ~ 15	±0.3
Above 15 ~ 30	±0.4
Above 30 ~ 50	±0.5
Angle	±0.3°

3RD. ANGEL'S

UNITS MM

DRAWN BY:	DATE	MAT'L	TITLE	CONNECTOR
Jack Lu	03/29/22			
CHECKED BY:	DATE	FINISH	MODLE	USB AF側插短體Y型腳有卷邊 L=13.6
Jacky Chen	03/29/22			
APPROVED BY:	DATE	SCALE	DWG NO.	SUA-110P3x-x-S236
Tony Kao	03/29/22	1 : 1		
		SHEET NO.	PART NO.	SUA-110P3x-x-S236
		1 of 1		
				SIZE A4
				VER R4