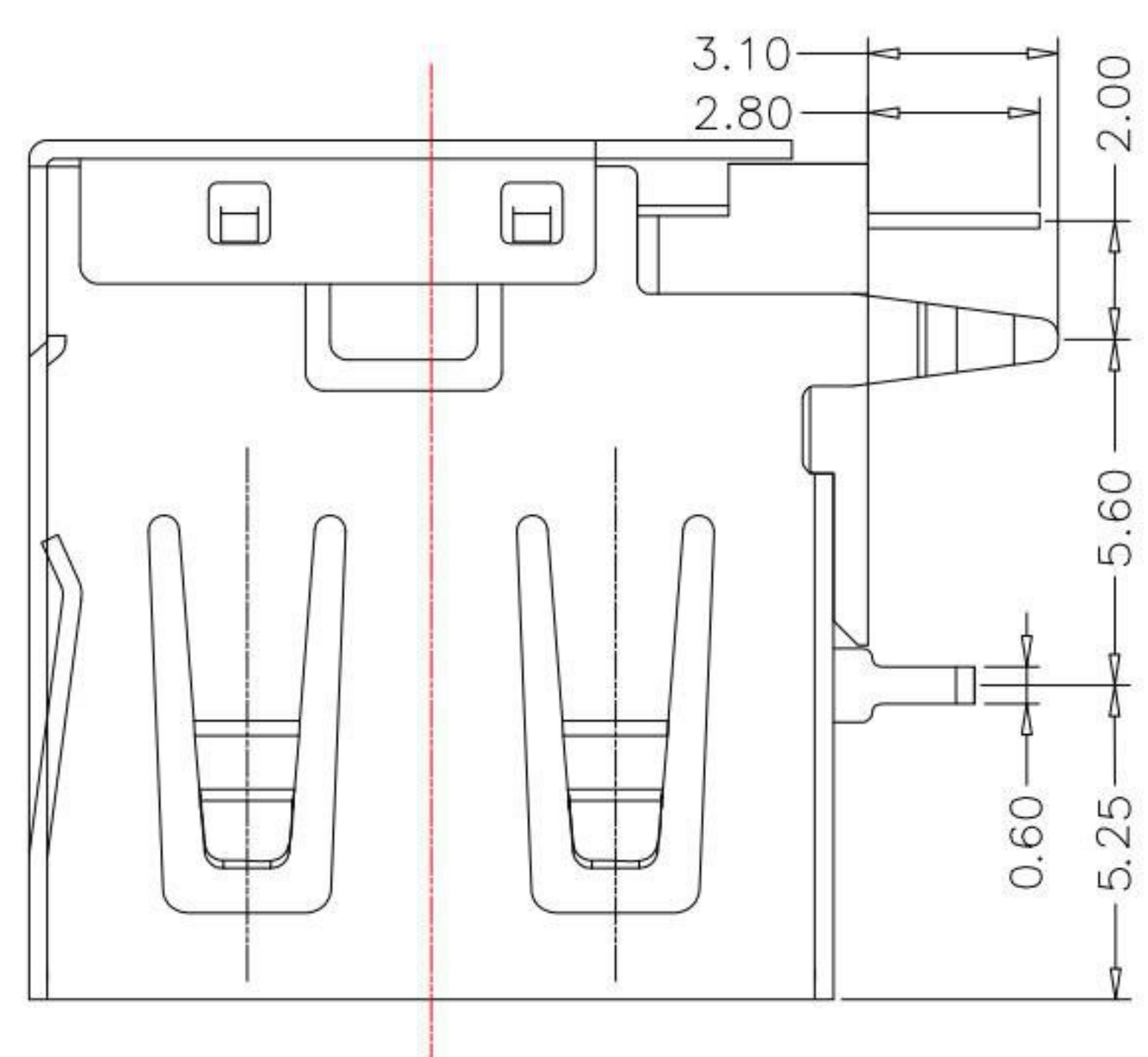
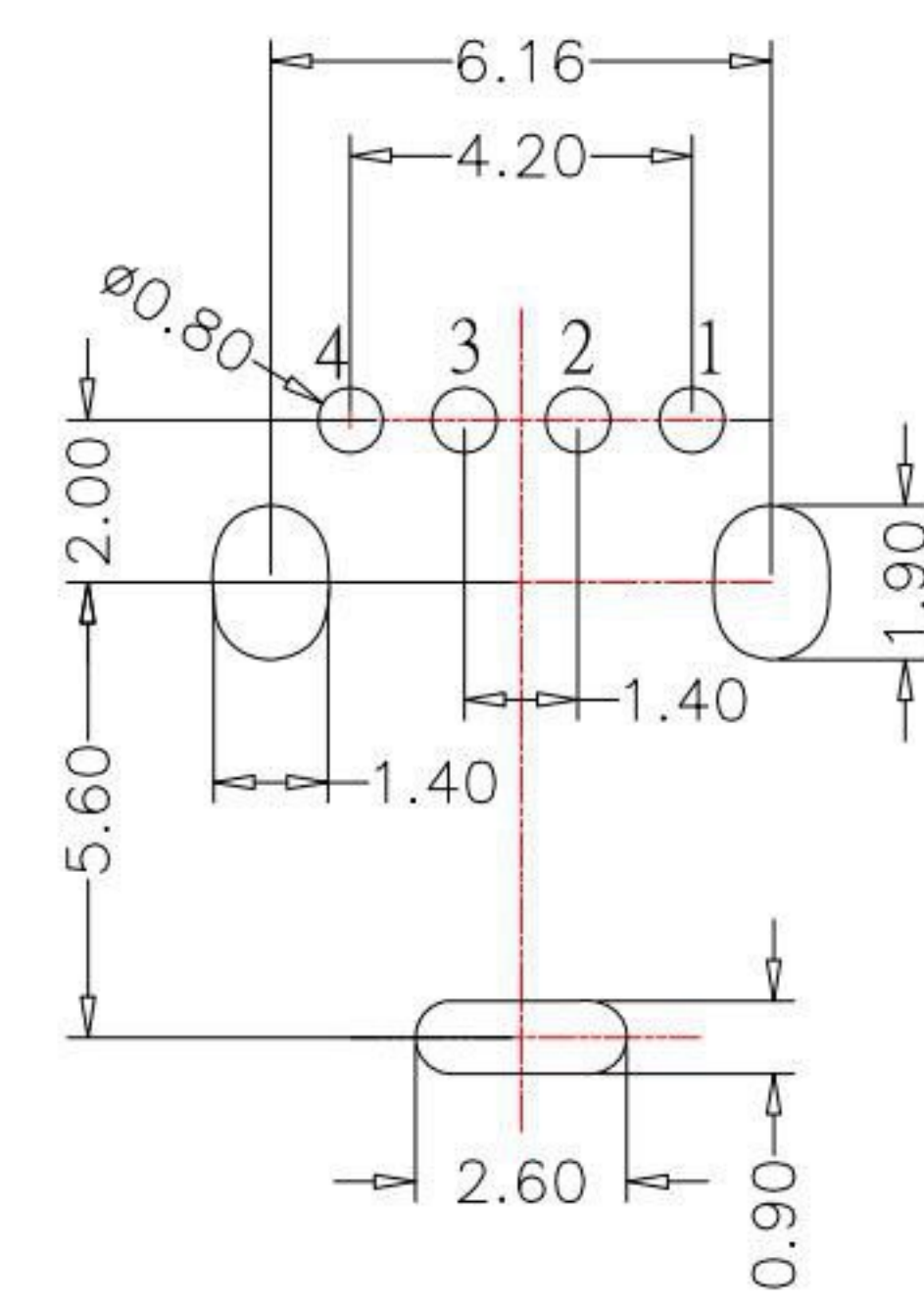


SUA-110P4x-x-S235

SHELL :	COLOR :
Blank : BRASS	Black: B
I : SPCC	White : W



**SPECIFICATIONS**

**Electrical:**

1. Rated Voltage: 500V AC / DC
2. Rated Current: 2.0 A Max
3. Dielectric Withstanding Voltage: AC 500 V / 1MIN
4. Insulation Resistance: 1,000 MΩ Min
5. Contact Resistance: 30 mΩ Max

**Material:**

1. Housing: Thermo plastics ,UL94V-0
2. Terminal: Phosphor Bronze
3. Shell: Brass / Spcc

**Finish:**

1. Contact: Plated Gold in Mating Area ;  
Tin Plated on Solder Balls  
Nickel under plated overall
2. Shell: Nickel under Plated surface layer

**PCB LAYOUT MOUNTING PATTERN**

7	更新MODLE	Jack	031821
6	更新外殼材質	Jack	112315
5	新增外殼材質選項	Jack	112714
4	更新尺寸14.00改14.20及新增尺寸和更新為A0版	Jack	091814
3	更新圖面膠芯樣式及尺寸	Jack	082514
2	新增尺寸	Jack	050613
1	新增PIN腳編號	Jack	050313
ITEM NO.	DESCRIPTION	DRAWN	DATE

**KSD** 科斯达电子科技有限公司  
 SWITCH CONNECTOR 全球 互聯零組件製造企業  
 KSD ELECTRONIC TECHNOLOGY Co., LTD

TOLERANCE UNLESS OTHERWISE STATED:

Up to 5	±0.2
Above 5 ~ 15	±0.3
Above 15 ~ 30	±0.4
Above 30 ~ 50	±0.5
Angle	±0.3°

3RD. ANGEL'S

UNITS MM

DRAWN BY:	DATE	MAT'L	TITLE	CONNECTOR
Jack Lu	03/18/21		MODLE	USB AF側插短體Y型腳無捲邊 (L=14.2)
CHECKED BY:	DATE	FINISH	DWG NO.	SUA-110P4x-x-S235
Jacky Chen	03/18/21		PART NO.	SUA-110P4x-x-S235
APPROVED BY:	DATE	SCALE	1 : 1	
Tony Kao	03/18/21	SHEET NO.	1 of 1	