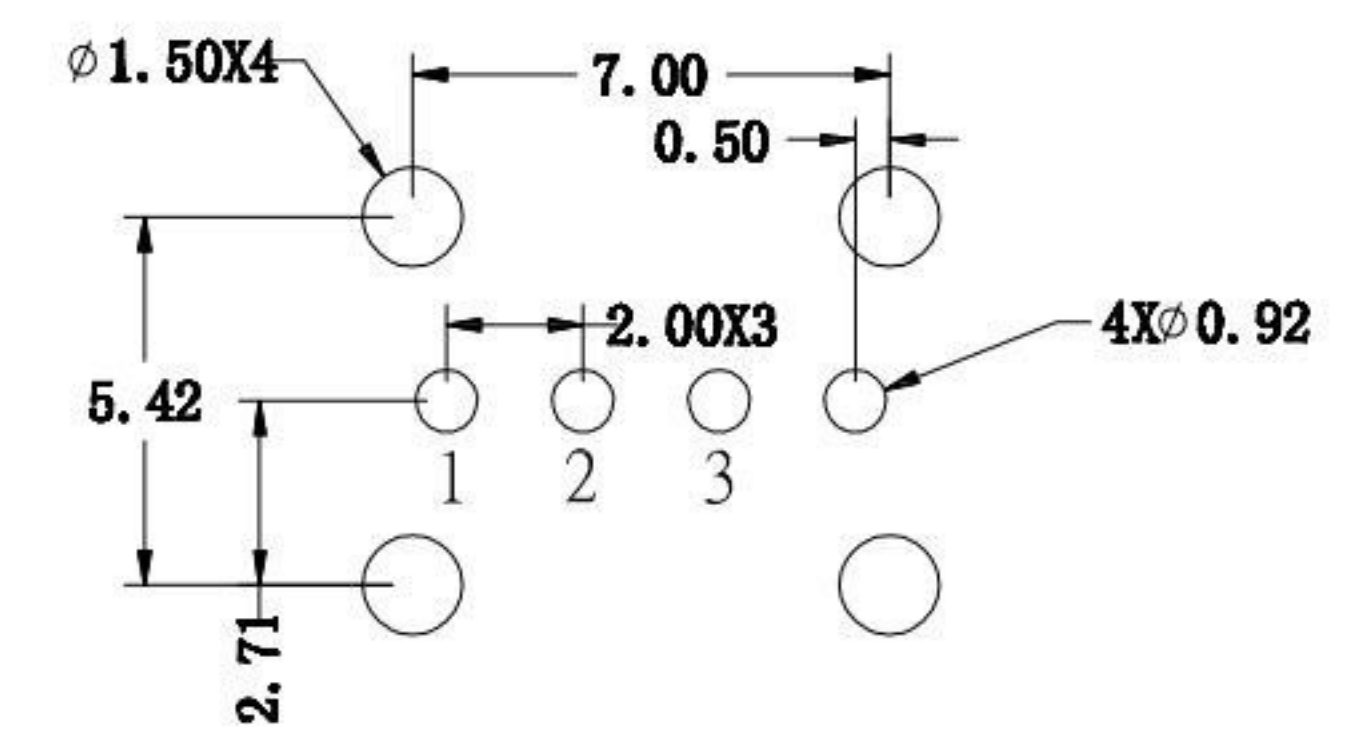
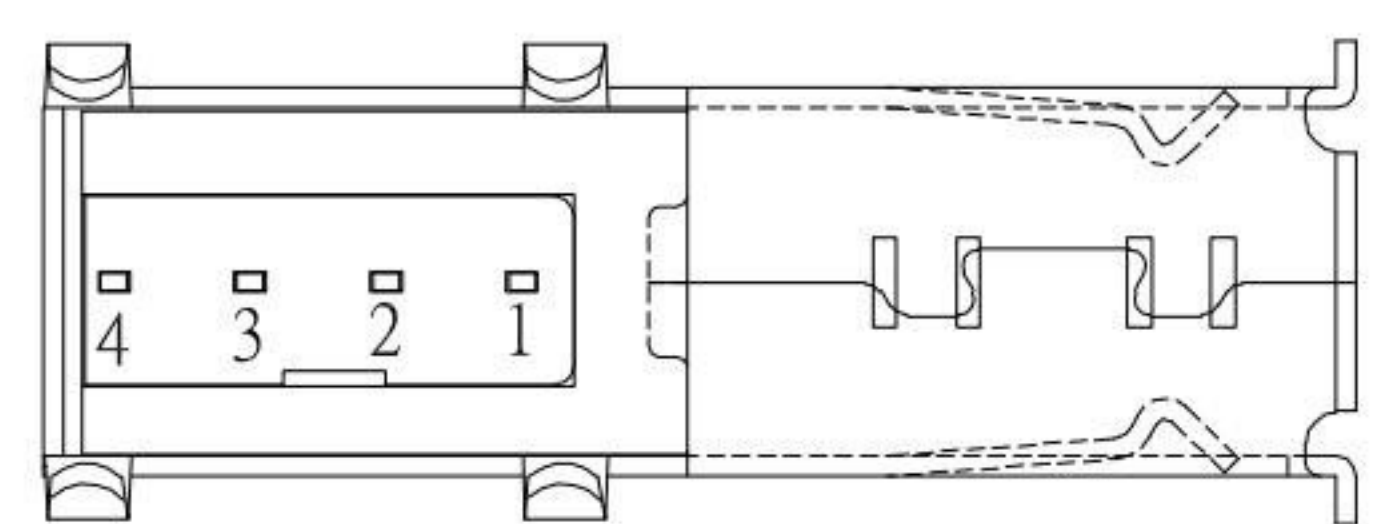
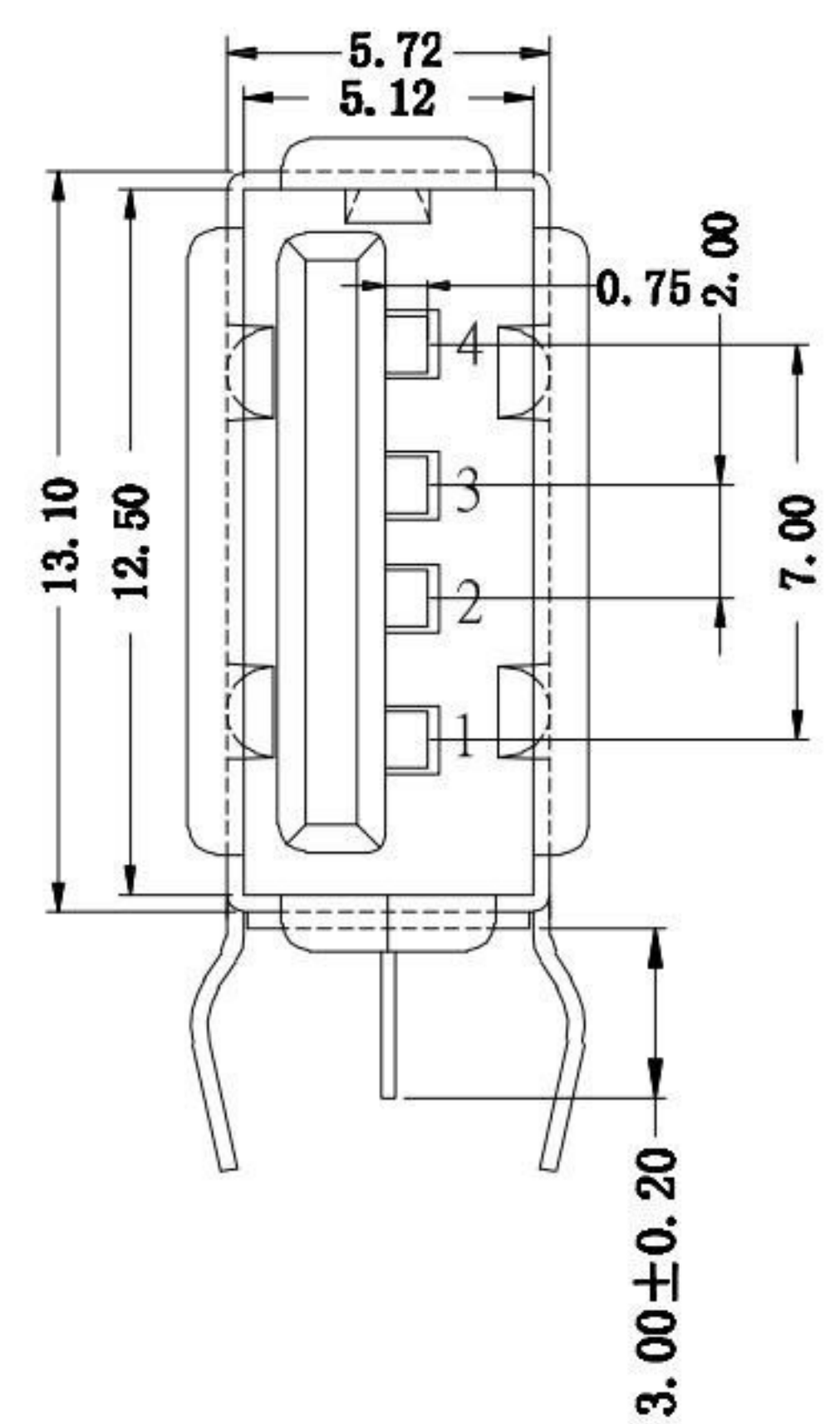
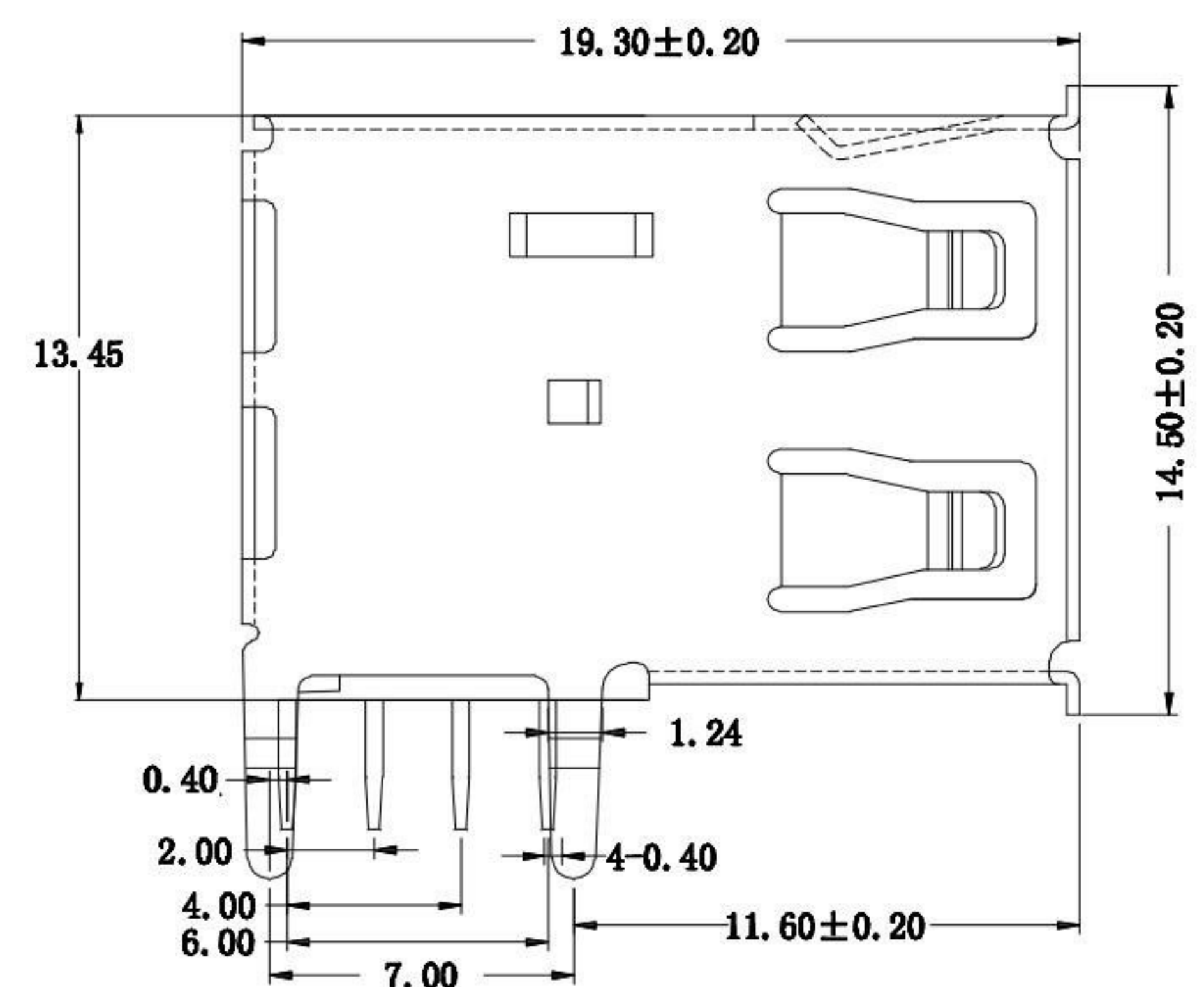
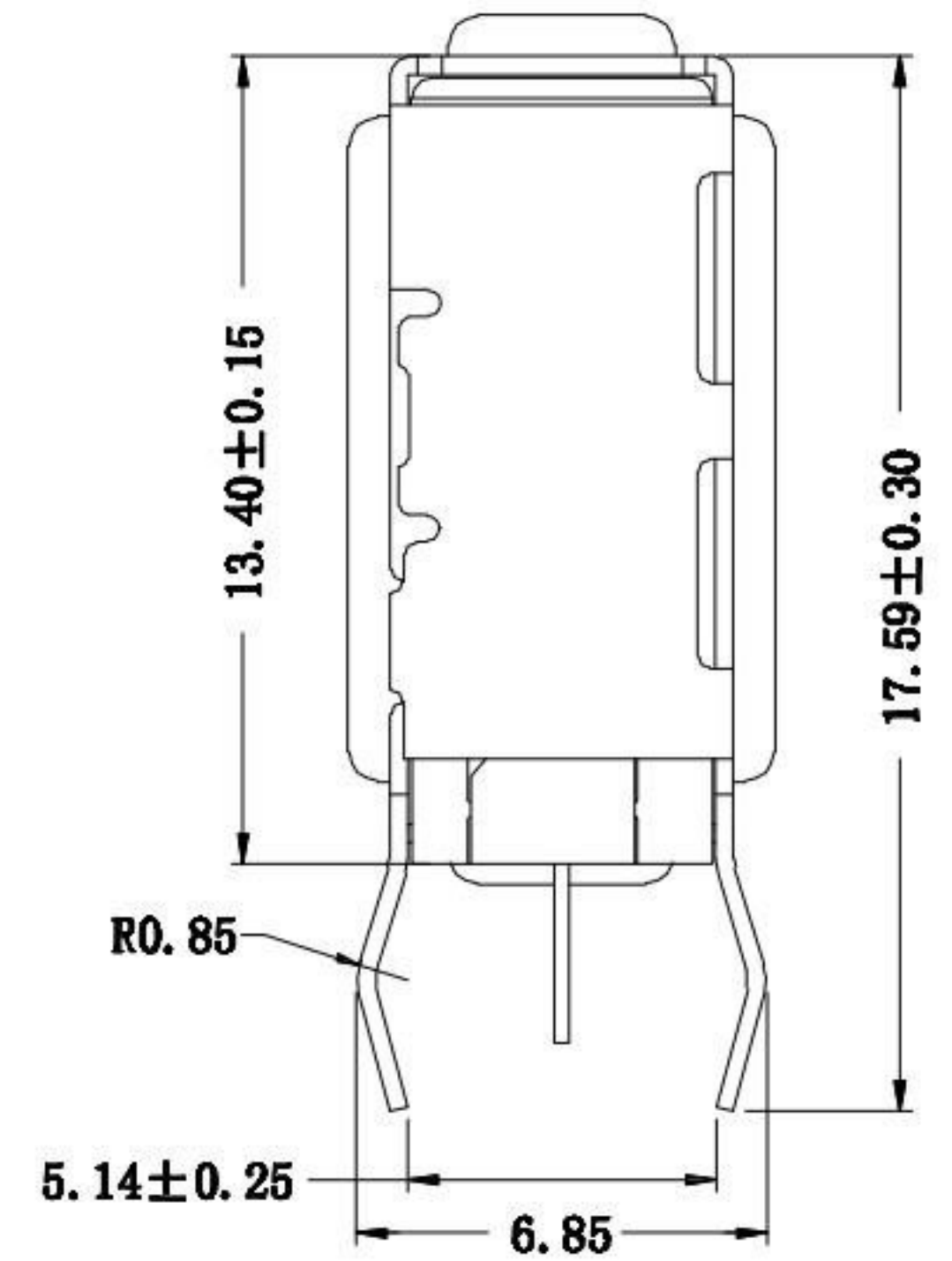


SUA-110PCxx-x-S175

SHELL :   
 Blank : BRASS   
 I : SPCC

COLOR :   
 Black: B   
 White : W

鍍層厚度 :   
 Blank : 1u"   
 2 : 15u"   
 3 : 30u"



P.C.B LAYOUT MOUNTING PATTERN

**SPECIFICATIONS**

- Electrical:**
- 1.Current Rating: 1.5A / contact terminal
  - 2.Voltage Rating: 30 VDC
  - 3.Contact Resistance: 30 mΩ Max
  - 4.Dielectric Withstanding Voltage: 500 V AC AT Sec Level
  - 5.Insulation Resistance: 1,000 MΩ Min
- Material:**
- 1.Housing: PBT
  - 2.Contact: Brass
  - 3.Shell: Spcc / Brass
- Finish:**
- 1.Contact: Plated Gold in Mating Area; Tin on Solder Balls; Nickel under plated overall
  - 2.Shell: Nickel Plating

**KSD** 科斯达电子科技有限公司

SWITCH CONNECTOR KSD ELECTRONIC TECHNOLOGY Co., LTD

全球 互联零组件制造企业

TOLERANCE UNLESS OTHERWISE STATED :	Up to 5 ±0.2	3RD. ANGEL'S	UNITS	MM
	Above 5 ~ 15 ±0.3			
	Above 15 ~ 30 ±0.4			
	Above 30 ~ 50 ±0.5			
	Angle ±0.3°			

DRAWN BY:	DATE	MAT'L	TITLE	CONNECTOR
Jack Lu	04/16/20		MODLE	USB AF 側插 90度 有後蓋 自動機
CHECKED BY:	DATE	FINISH	DWG NO.	SUA-110PCxx-x-S175
Jacky Chen	04/16/20		PART NO.	SUA-110PCxx-x-S175
APPROVED BY:	DATE	SCALE	1 : 1	
Tony Kao	04/16/20	SHEET NO.	1 of 1	

3	新增尺寸	Jack	041620
2	新增PIN編號	Jack	062918
1	新增外殼材質選項	Jack	053018
ITEM NO.	DESCRIPTION	DRAWN	DATE