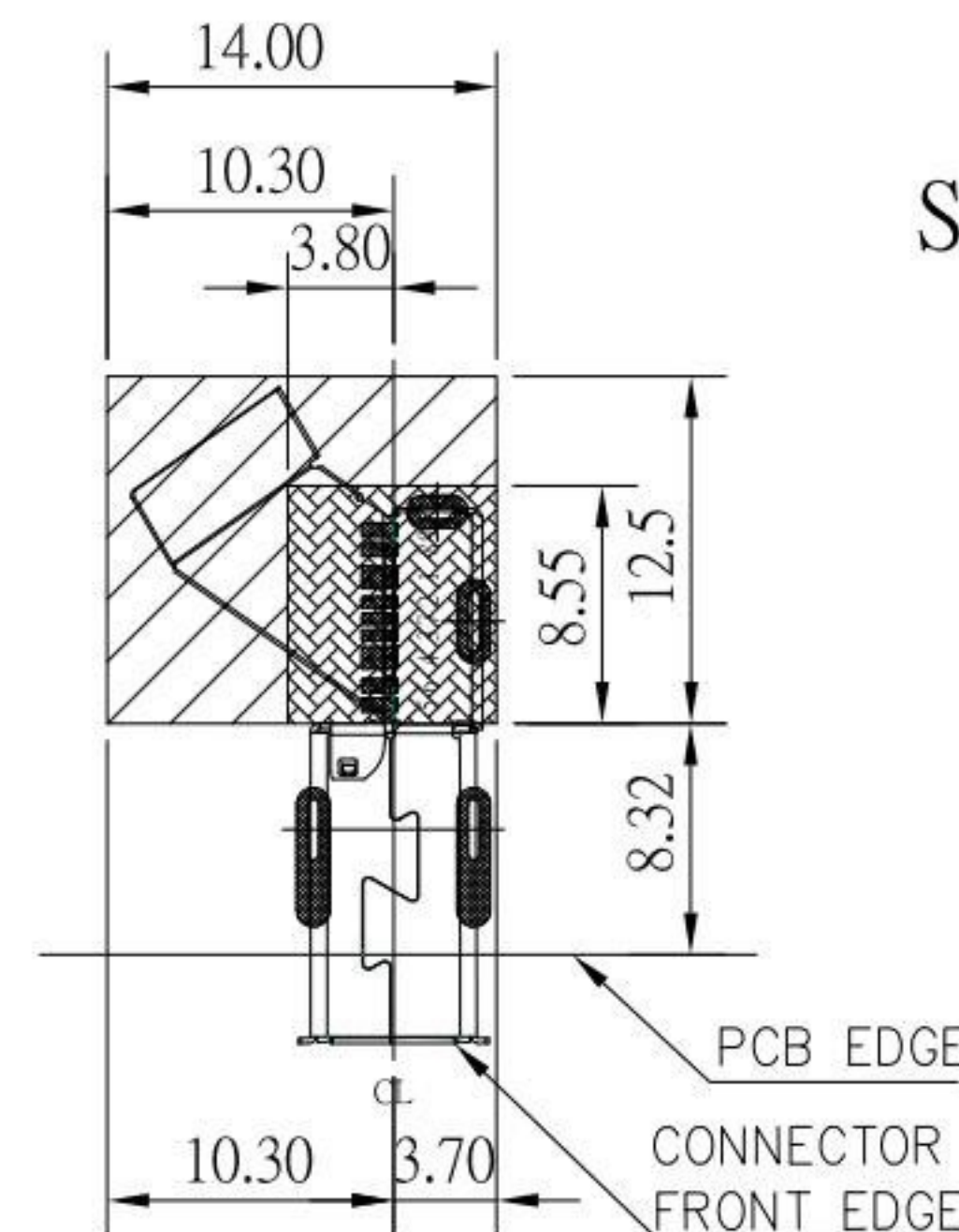
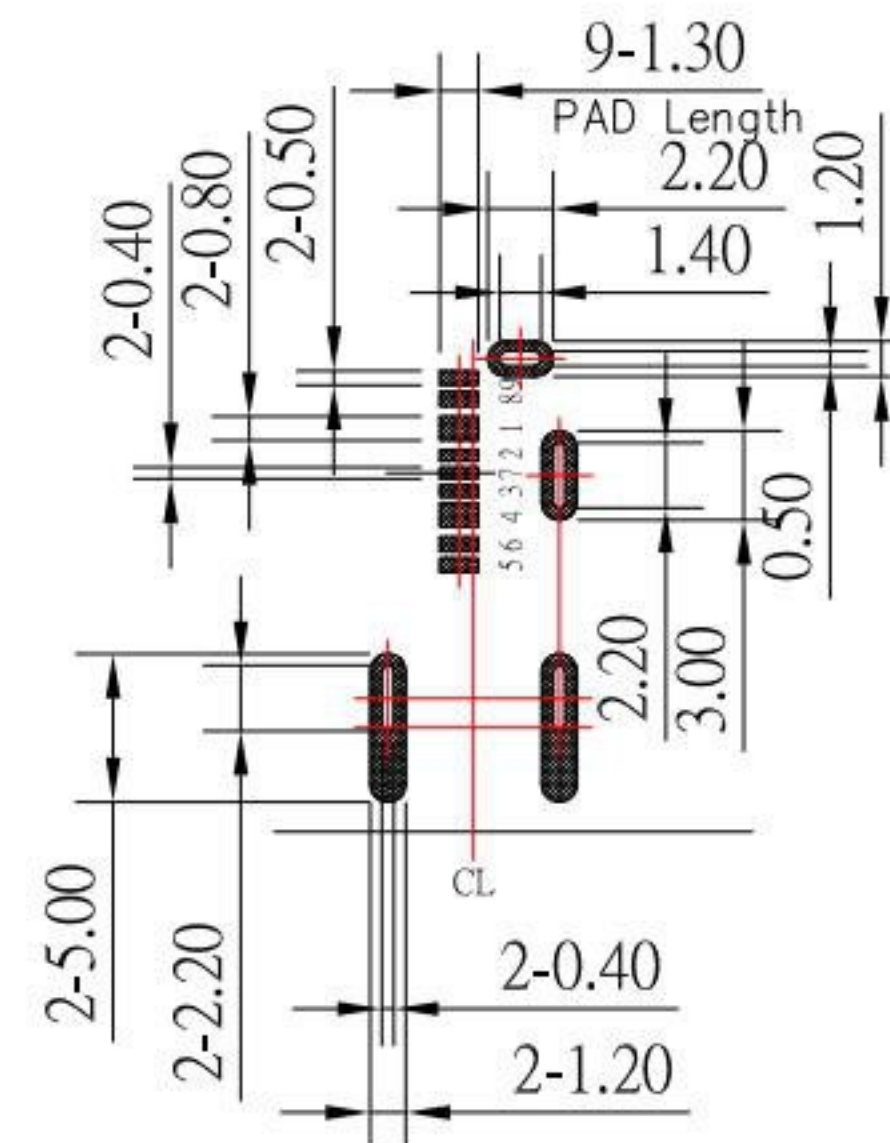
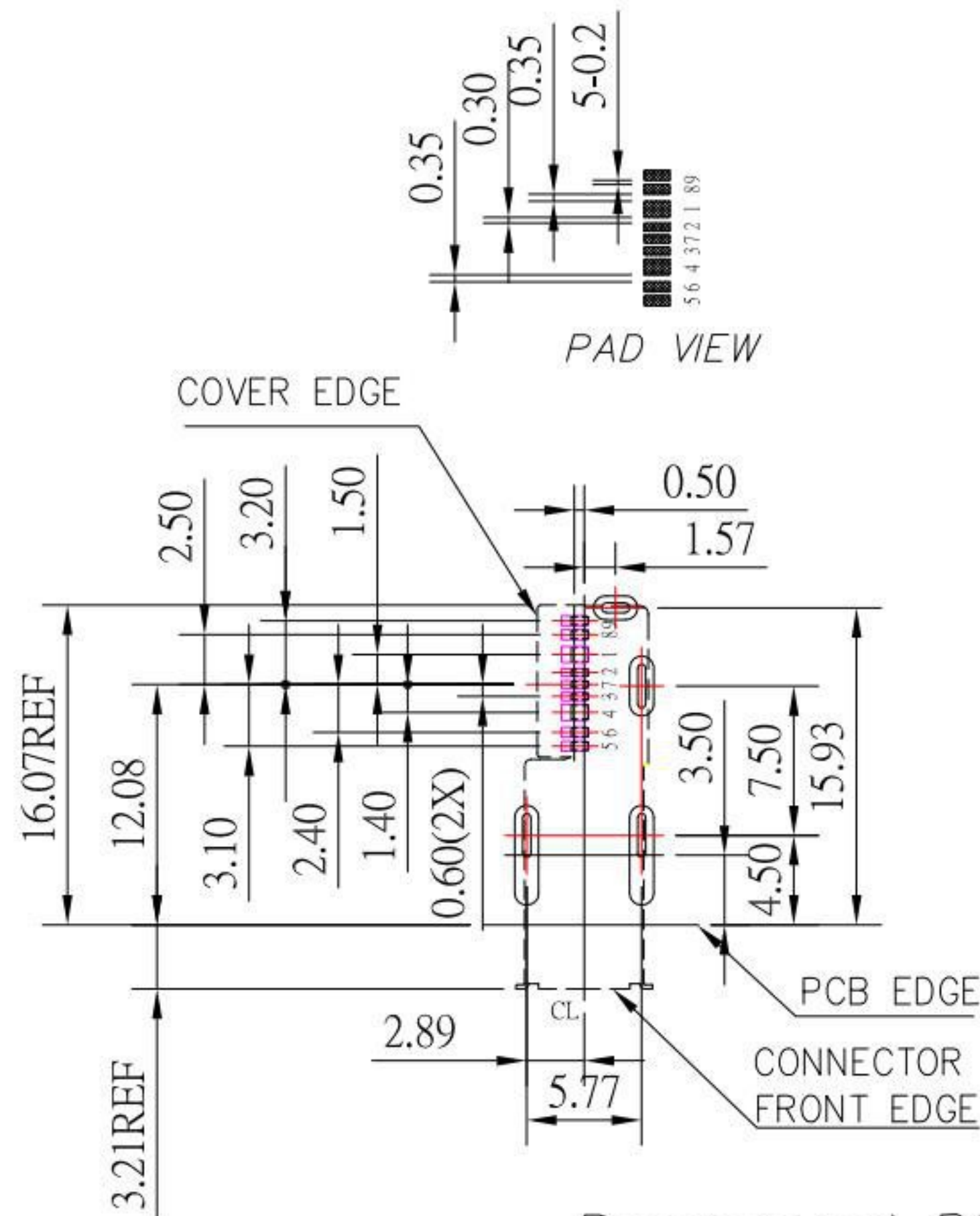
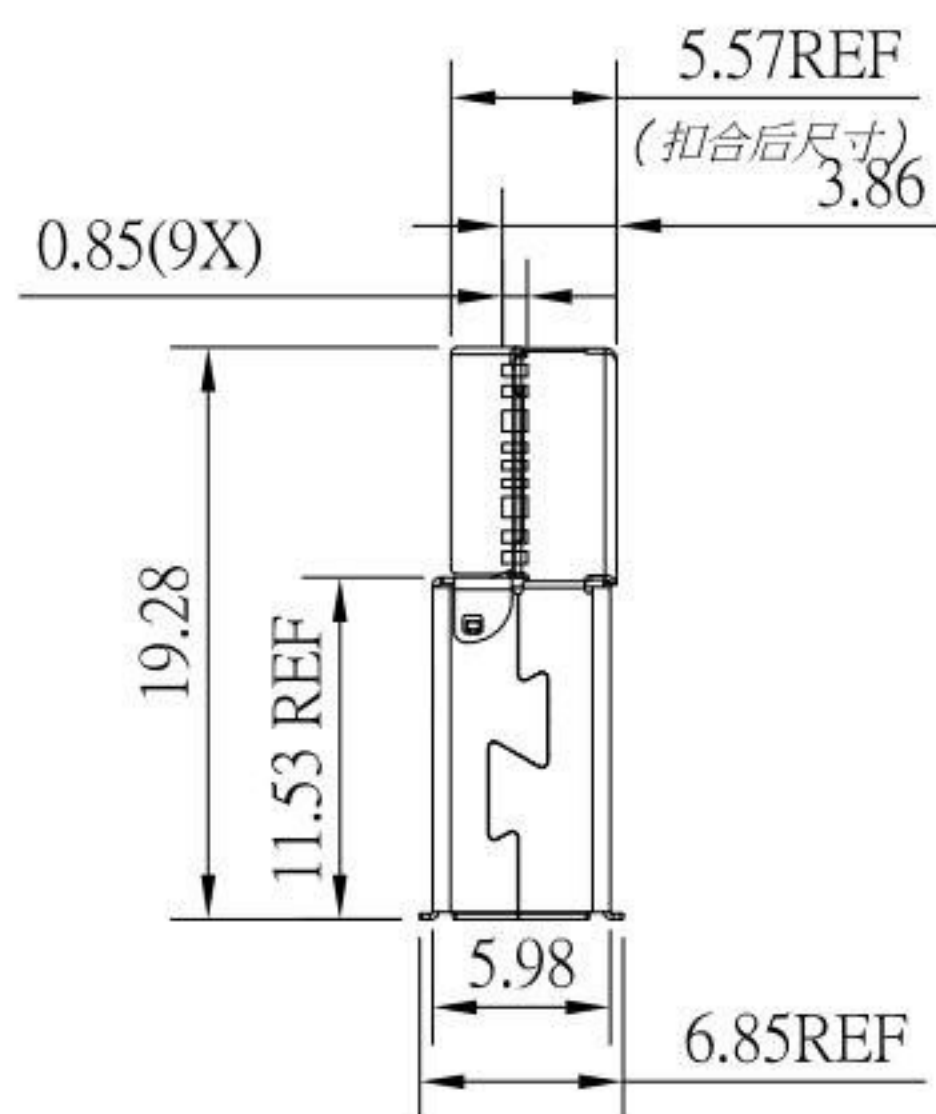




SUA-110PS-32x-S277

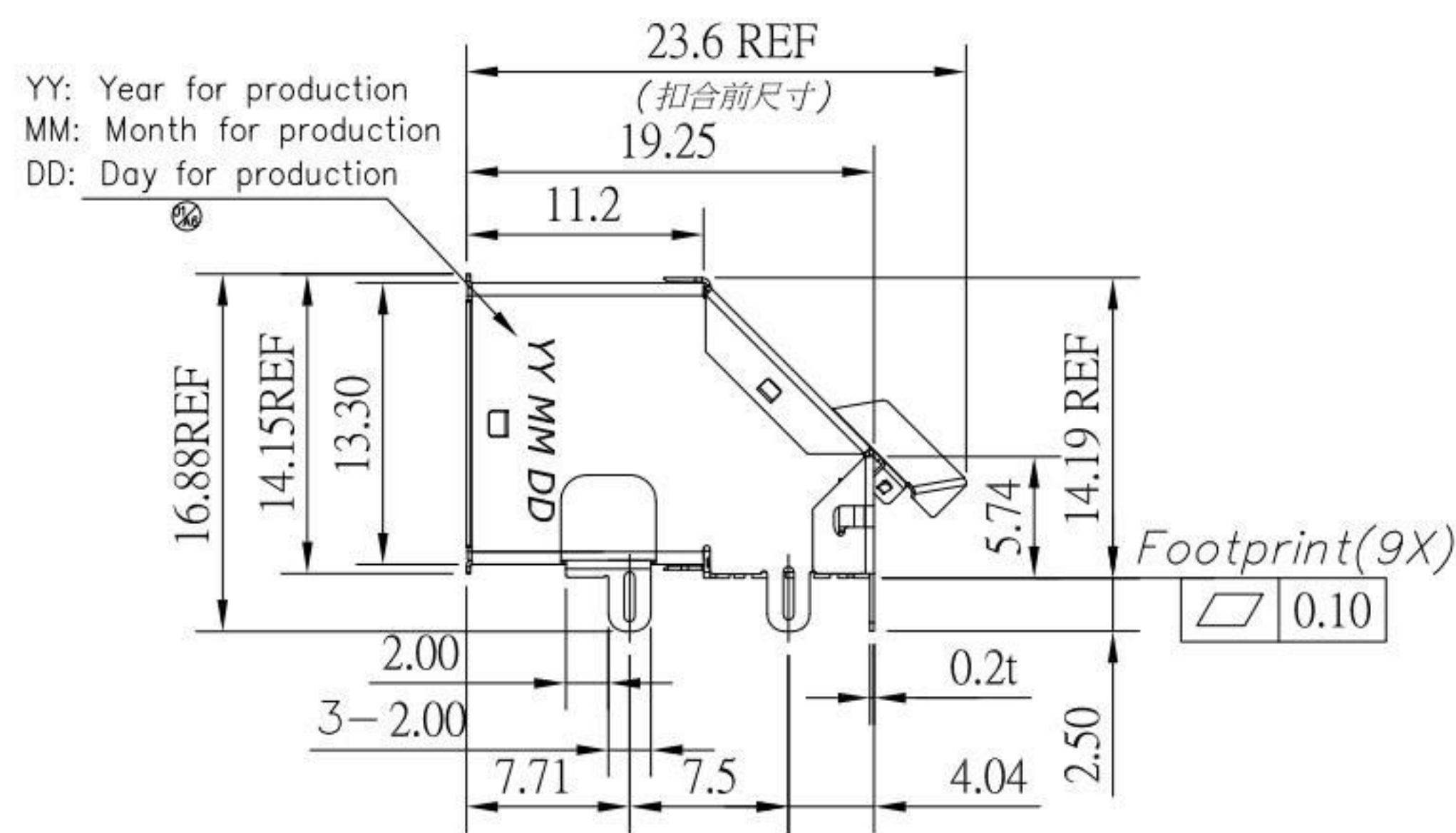
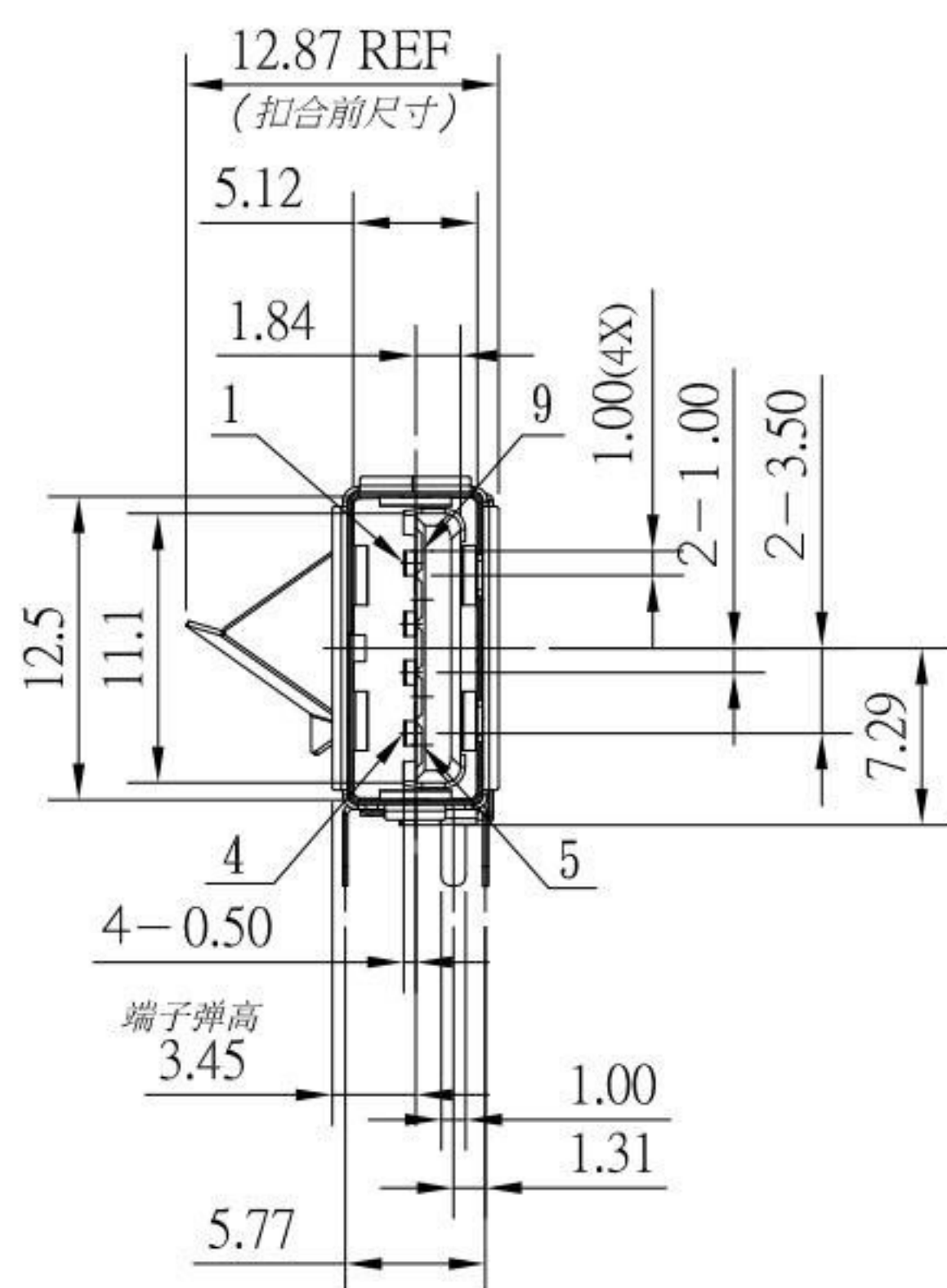
鍍層厚度:

Blank : 1u"
2 : 15u"
3 : 30u"



Recommend PCB Layout
Top View

- ▨ 扣合前留空区
- ▩ 扣合后留空区
- ▧ 焊盘区



YY: Year for production
MM: Month for production
DD: Day for production

Pin No.	Signal Name
1	VBUS
2	D-
3	D+
4	GND
5	StdA_SSRX-
6	StdA_SSRX+
7	GND_DRAIN
8	StdA_SSTX-
9	StdA_SSTX+
Shell	Shield

NOTE:

- 1.MATERIAL:
 - 1.1 HOUSING: THERMAL PLASTIC , Blue .
 - 1.2 CONTACT: PHOSPHOR BRONZE.
 - 1.3 SHELL: SUS.
- 2.Finish:
 - 2.1 CONTACT: PLATED GOLD IN MATING AREA ;
TIN PLATED ON SOLDER BALLS ;
NICKEL UNDER PLATED OVERALL
 - 2.2 SHELL: NICKEL UNDER PLATED SURFACE LAYER
- 3.ELECTRICAL CHARACTERISTICS:
 - 3.1 CONTACT RESISTANCE: 30mΩ MAX (for pin1& pin4),
50mΩ MAX (for other contacts)
 - 3.2 RATING: 1.8 A , 5V
 - 3.3 DIELECTRIC WITHSTANDING VOLTAGE: 500 VDC
 - 3.4 INSULATION RESISTANCE 100 MΩ MIN
- 4.MECHANICAL CHARACTERISTICS:
 - 4.1 MATING FORCE: 35N MAX;
 - 4.2 UNMATING FORCE: 10N MIN;

KSD 科斯达电子科技有限公司
SWITCH CONNECTOR KSD ELECTRONIC TECHNOLOGY Co., LTD
全球 互联网 零组件 制造企业

TOLERANCE UNLESS OTHERWISE STATED:	Up to 5 ±0.2 Above 5 ~ 15 ±0.3 Above 15 ~ 30 ±0.4 Above 30 ~ 50 ±0.5 Angle ±0.3	3RD. ANGEL'S	UNITS	MM
------------------------------------	---	--------------	-------	----

DRAWN BY:	DATE	MAT'L	TITLE	CONNECTOR
Jack Lu	11/30/21			
CHECKED BY:	DATE	FINISH	MODLE	USB A/F 短體立式 SMT GEN 2, 10G
Jacky Chen	11/30/21			
APPROVED BY:	DATE	SCALE	DWG NO.	SUA-110PS-32x-S277
Tony Kao	11/30/21	1 : 1		
ITEM NO.	DESCRIPTION	DRAWN	PART NO.	SUA-110PS-32x-S277
1	調整尺寸標示位置	Jack		
		DATE		
			SHEET NO.	1 of 1
			SIZE	A4
			VER	R1