



SUA-110V1-x-S175

COLOR :

Black: B
White : W

SPECIFICATIONS

Electrical:

- 1.Current Rating: 1.5A / contact terminal
- 2.Voltage Rating: 30V DC
- 3.Contact Resistance: 30 milliohms Max
- 4.Dielectric Withstanding Voltage:
500 V AC AT Sec Level
- 5.Insulation Resistance: 1000 MEGA ohms Min

Mechanical:

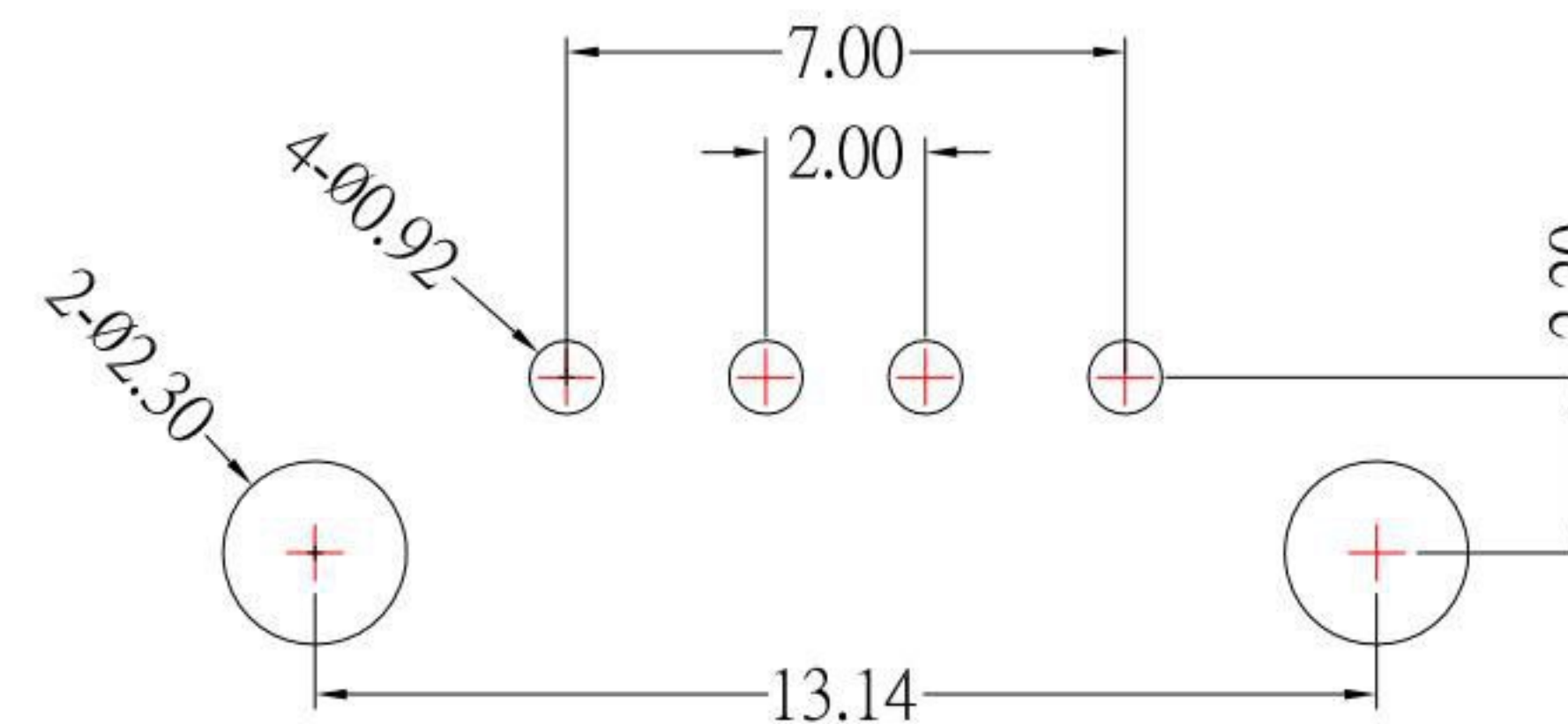
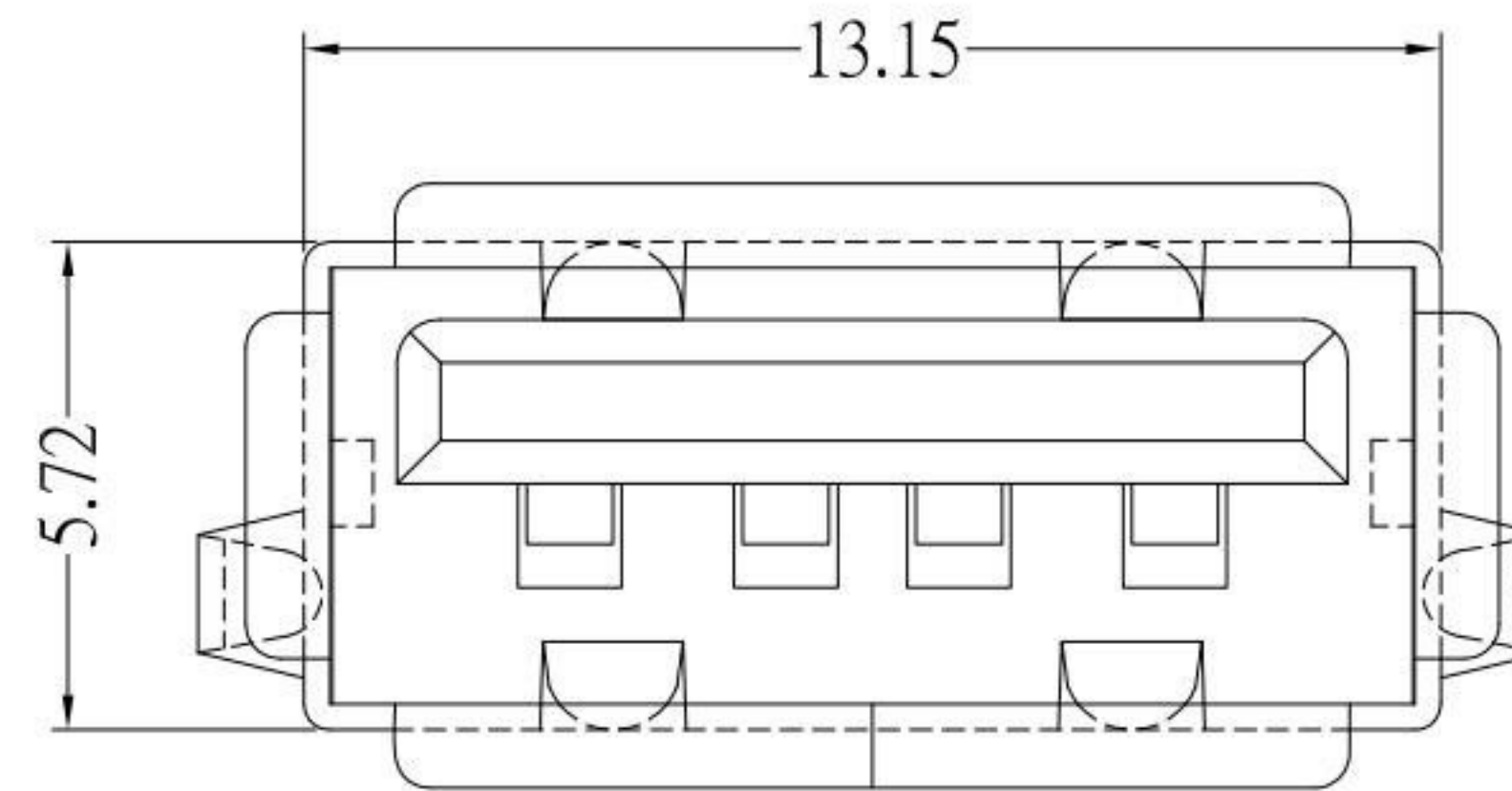
- 1.Connector Mate and Unmate Force
Mate force: 3.57 kgf (Max)
Unmate force: 1.02 kgf (Min)
- 2.Terminal Retention: 1.2 kgf (Min)

Material:

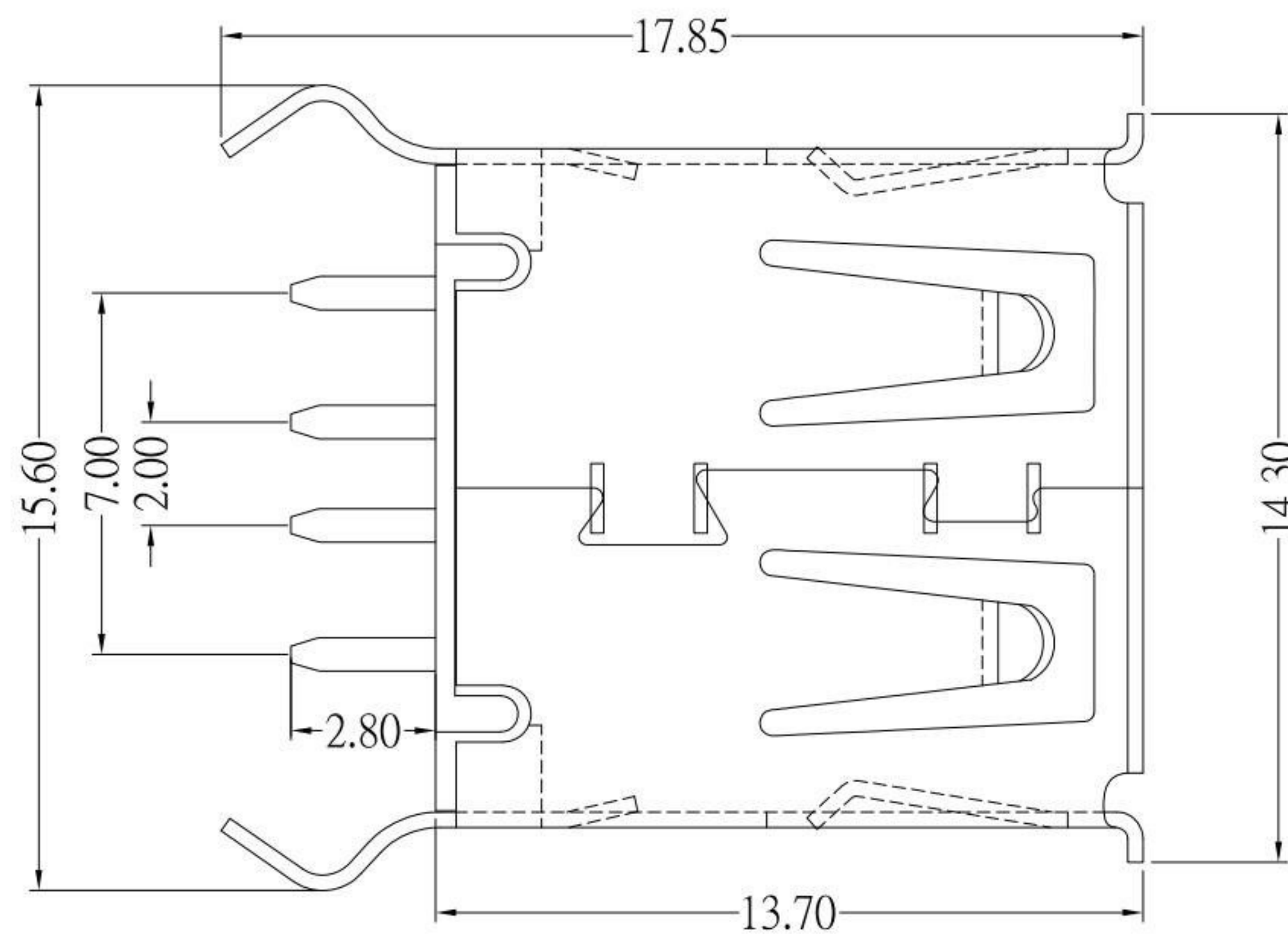
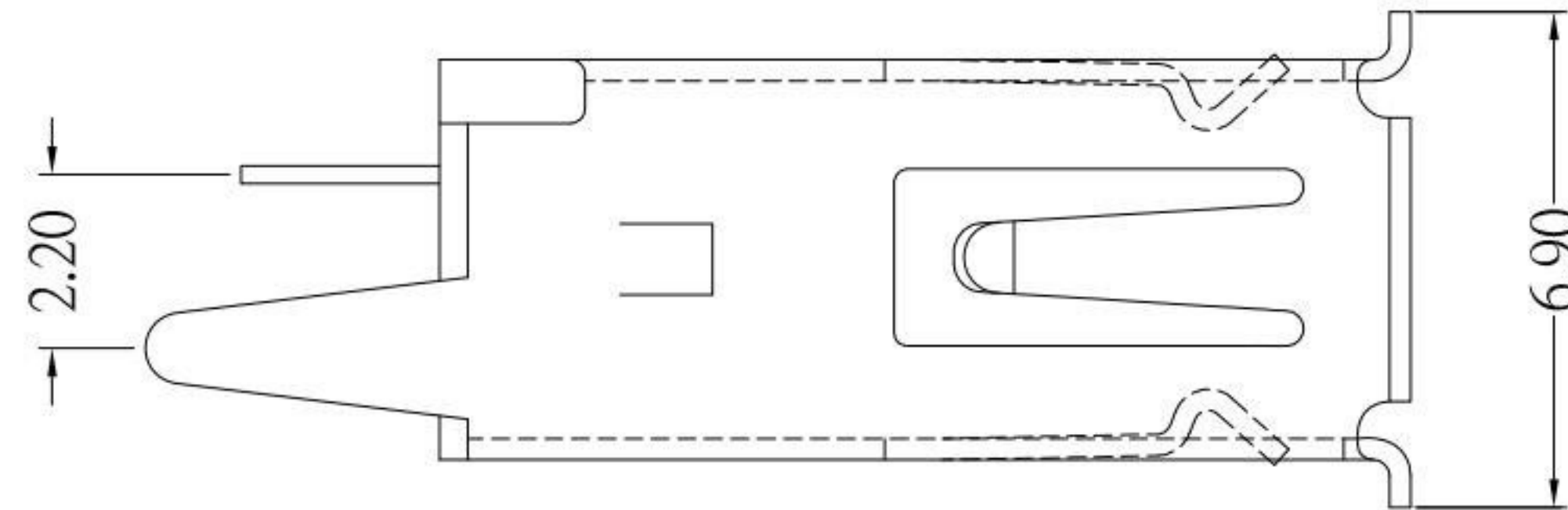
- 1.Housing:
High Temperature Thermal Plastics,
UL 94V-0 , PBT / LCP
- 2.Contact: BRASS
- 3.Shell: BRASS / SPCC

Finish:

- 1.Contact: Plated Gold in Mating Area ;
Tin Plated on Solder Balls ;
Nickel under plated overall
- 2.Shell: Nickel under Plated surface layer



P.C.B LAYOUT MOUNTING PATTERN



KSD 科斯达电子科技有限公司
SWITCH CONNECTOR KSD ELECTRONIC TECHNOLOGY Co., LTD
全球 互联零组件制造企业

TOLERANCE UNLESS OTHERWISE STATED :
Up to 5 ±0.2
Above 5 ~ 15 ±0.3
Above 15 ~ 30 ±0.4
Above 30 ~ 50 ±0.5
Angle ±0.3°

3RD. ANGEL'S
UNITS MM

DRAWN BY:	DATE	MAT'L	TITLE	CONNECTOR
Jack Lu	09/04/13		MODLE	USB AF 180 度
CHECKED BY:	DATE	FINISH	DWG NO.	SUA-110V1-x-S175
Jacky Chen	09/04/13		PART NO.	SUA-110V1-x-S175
APPROVED BY:	DATE	SCALE	SHEET NO.	1 of 1
Tony Kao	09/04/13	1 : 1		

2	更新材質及鍍層	Jack	090413
1	更新PCB尺寸	Jack	081613
ITEM NO.	DESCRIPTION	DRAWN	DATE