

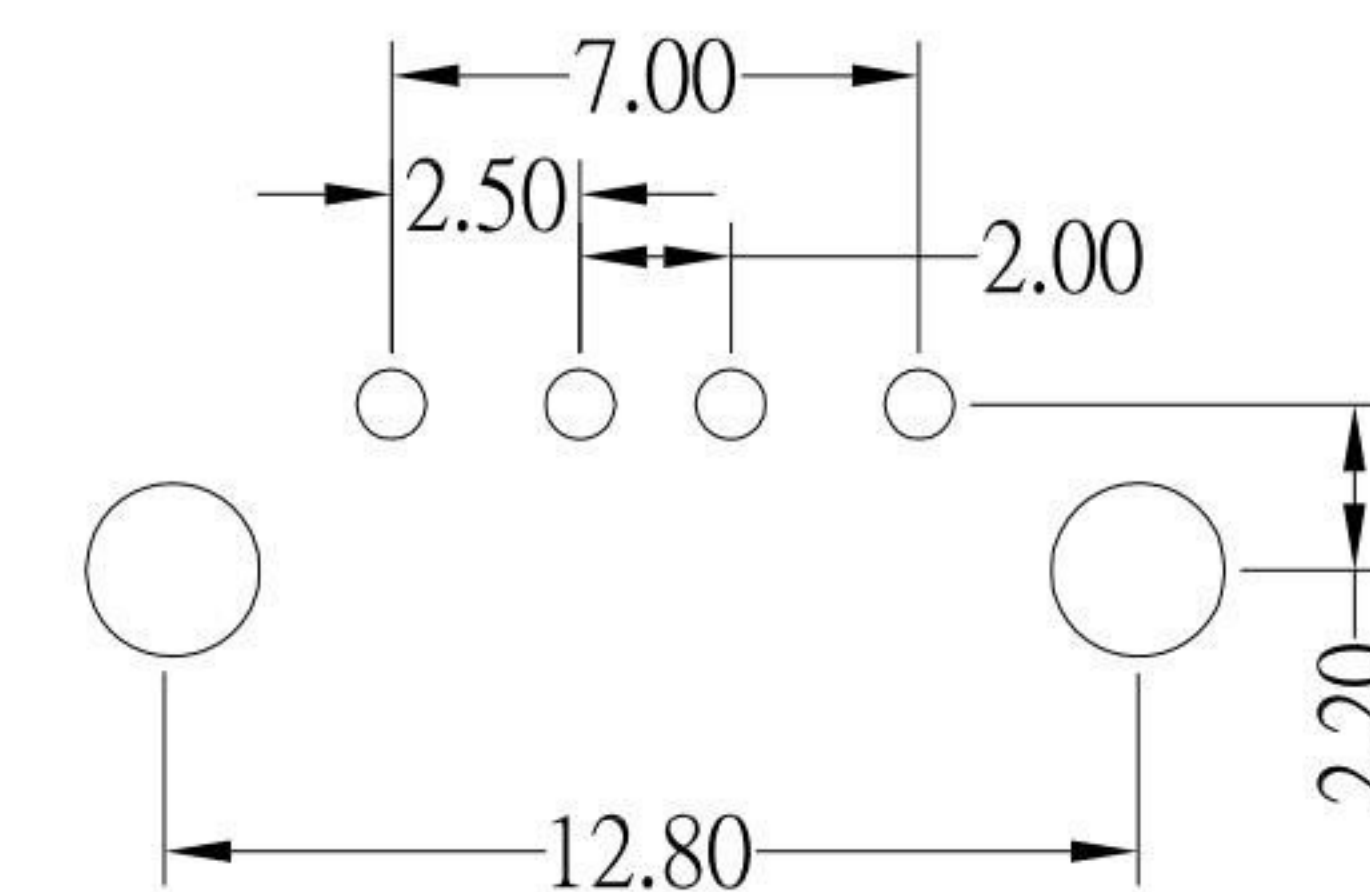
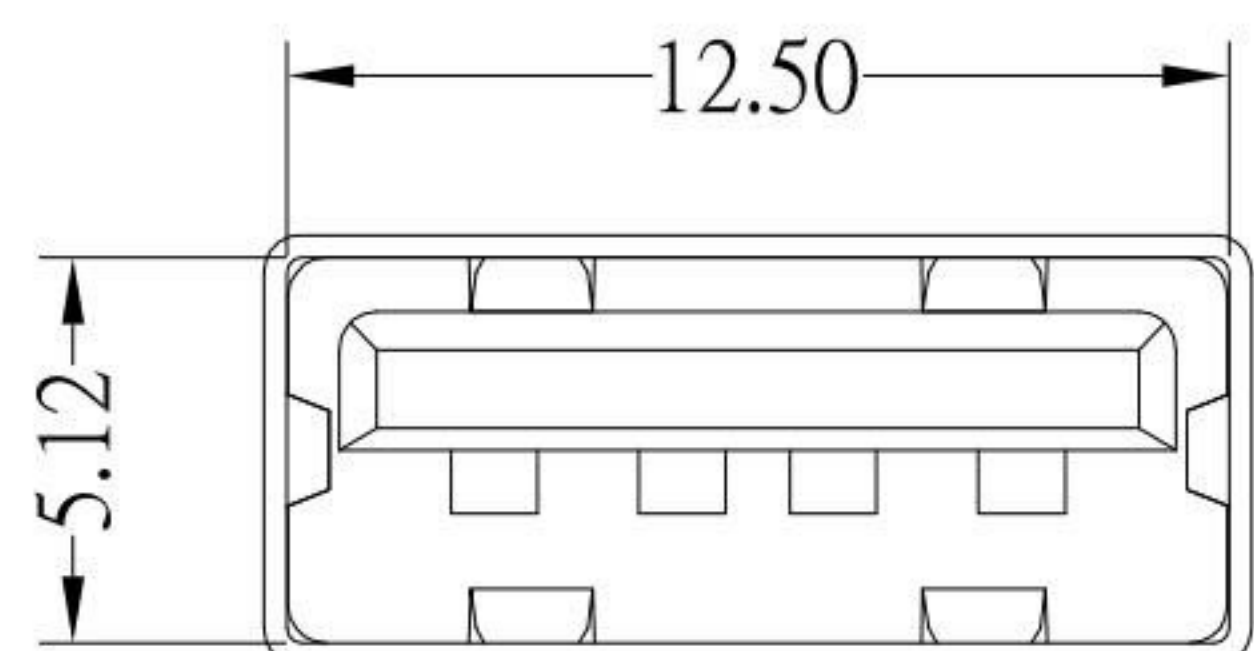
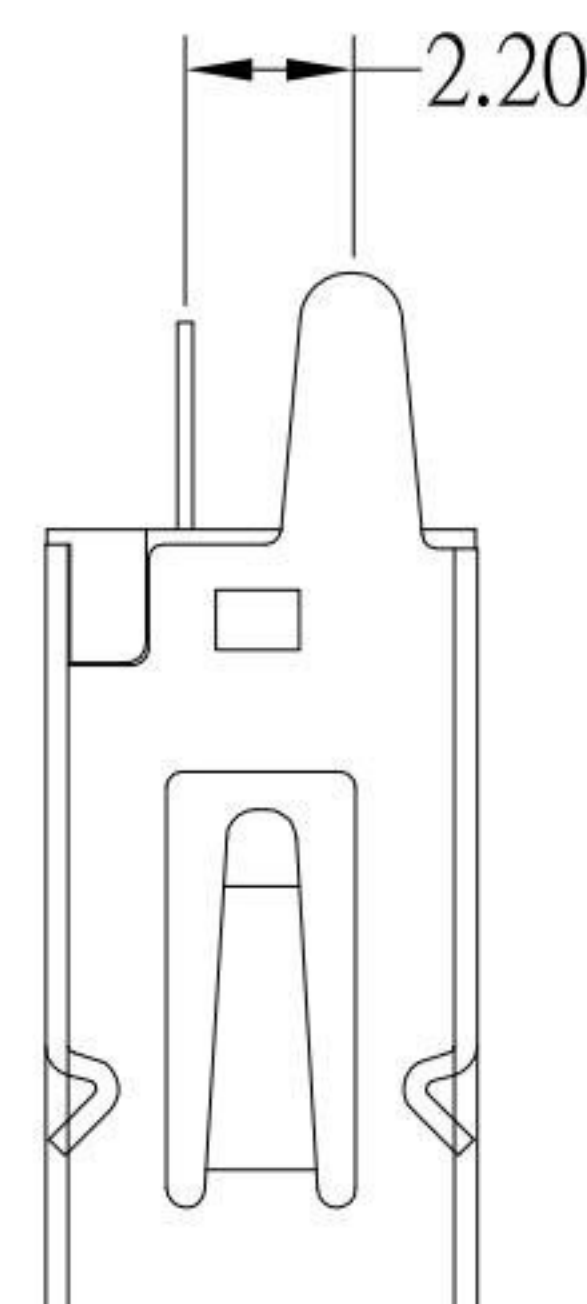
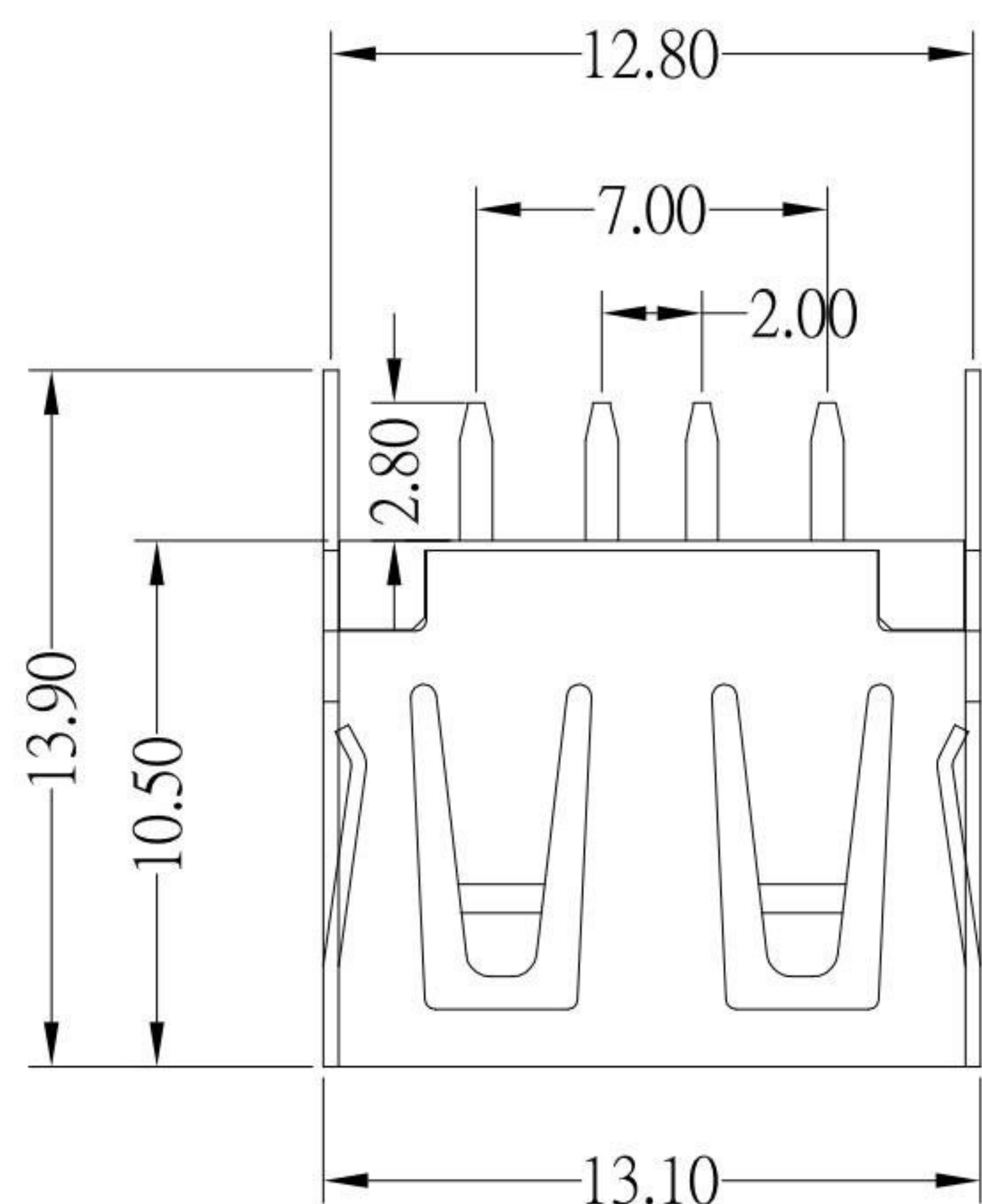


SUA-110V26I-x-S236

Color :

Black : B

White : W



P.C.B LAYOUT MOUNTING PATTERN

SPECIFICATIONS

Electrical:

- 1.Current Rating: 1.5A / contact terminal
- 2.Voltage Rating: 30 VDC
- 3.Contact Resistance: 30 mΩ Max
- 4.Dielectric Withstanding Voltage: 500 V AC AT Sec Level
- 5.Insulation Resistance: 1,000 MΩ Min

Material:

- 1.Housing: PBT
- 2.Contact: Brass
- 3.Shell: Spcc

Finish:

- 1.Contact: Plated Gold in Mating Area ;
Tin Plated on Solder Balls
Nickel under plated overall
- 2.Shell: Nickel under Plated surface layer

				KSD 科斯达电子科技有限公司				DRAWN BY: Jack Lu		DATE: 05/11/21		MAT'L		TITLE: CONNECTOR	
				SWITCH CONNECTOR 全球 互联零组件制造企业				CHECKED BY: Jacky Chen		DATE: 05/11/21		FINISH		MODLE: USB AF 直立式 插板直脚無捲邊 L10.5mm 腳距 2.20mm	
				KSD ELECTRONIC TECHNOLOGY Co., LTD				APPROVED BY: Tony Kao		DATE: 05/11/21		SCALE: 1 : 1		DWG NO.: SUA-110V26I-x-S236	
				TOLERANCE UNLESS OTHERWISE STATED :				3RD. ANGEL'S		UNITS: MM		SHEET NO.: 1 of 1		PART NO.: SUA-110V26I-x-S236	
				Up to 5 ±0.2										SIZE: A4	
				Above 5 ~ 15 ±0.3										VER: R1	
				Above 15 ~ 30 ±0.4											
				Above 30 ~ 50 ±0.5											
				Angle ±0.3°											
1	更新外殼材質只做SPCC	Jack	051121												
ITEM NO.	DESCRIPTION	DRAWN	DATE												