

P.C.B LAYOUT MOUNTING PATTERN

**SPECIFICATIONS**

**Electrical:**

- 1.Voltage Current Rating: 1.5A , 30V AC
- 3.Contact Resistance: 30 mΩ Max
- 4.Dielectric Withstanding Voltage: 500 V AC
- 5.Insulation Resistance: 1,000 MΩ Min

**Material:**

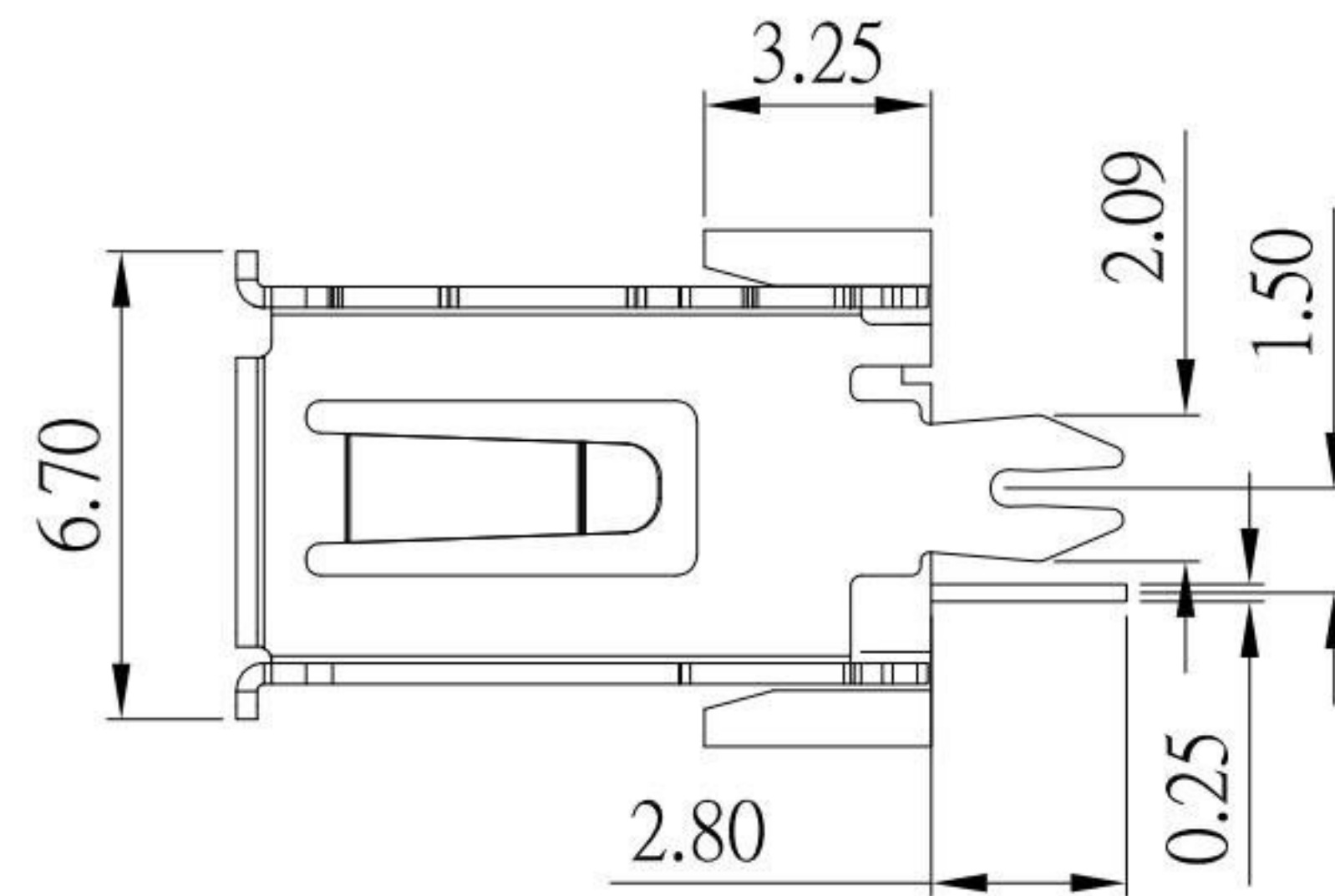
- 1.Housing: PBT
- 2.Contact: Phosphor Bronze
- 3.Shell: Copper Alloy / Spcc

**Finish:**

- 1.Contact: Plated Gold in Mating Area ;  
Tin Plated on Solder Balls ;  
Nickel under plated overall
- 2.Shell: Nickel under Plated surface layer

SUA-110V3x-x-S236

|                      |           |
|----------------------|-----------|
| SHELL :              | COLOR :   |
| Blank : Copper Alloy | Black: B  |
| I : SPCC             | White : W |



**KSD** 科斯达电子科技有限公司  
 SWITCH CONNECTOR KSD ELECTRONIC TECHNOLOGY Co., LTD  
 全球 互联零组件制造企业

|                                     |                    |              |       |    |
|-------------------------------------|--------------------|--------------|-------|----|
| TOLERANCE UNLESS OTHERWISE STATED : | Up to 5 ±0.2       | 3RD. ANGEL'S | UNITS | MM |
|                                     | Above 5 ~ 15 ±0.3  |              |       |    |
|                                     | Above 15 ~ 30 ±0.4 |              |       |    |
|                                     | Above 30 ~ 50 ±0.5 |              |       |    |
|                                     | Angle ±0.3°        |              |       |    |

|              |          |           |          |                              |
|--------------|----------|-----------|----------|------------------------------|
| DRAWN BY:    | DATE     | MAT'L     | TITLE    | CONNECTOR                    |
| Jack Lu      | 10/15/20 |           |          |                              |
| CHECKED BY:  | DATE     | FINISH    | MODLE    | USB AF 短體9.95 直立式有捲邊(捲邊 無缺口) |
| Jacky Chen   | 10/15/20 |           |          |                              |
| APPROVED BY: | DATE     | SCALE     | DWG NO.  | SUA-110V3x-x-S236            |
| Tony Kao     | 10/15/20 | 1 : 1     |          |                              |
|              |          | SHEET NO. | PART NO. | SUA-110V3x-x-S236            |
|              |          | 1 of 1    |          |                              |

|          |             |       |      |
|----------|-------------|-------|------|
| ITEM NO. | DESCRIPTION | DRAWN | DATE |
|          |             |       |      |