



# SUA-110V5Bx-x-S236

SHELL :	COLOR :
Blank : Brass	Black: B
I : SPCC	White : W

## SPECIFICATIONS

### Electrical:

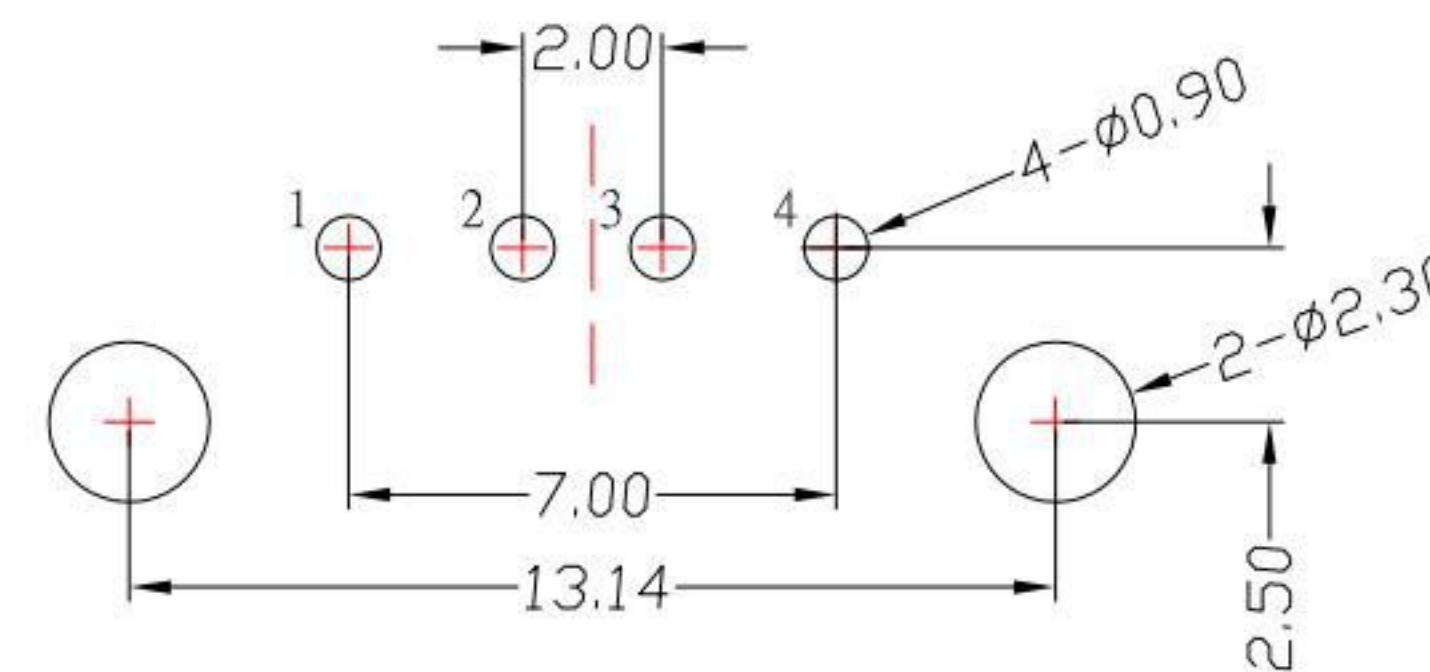
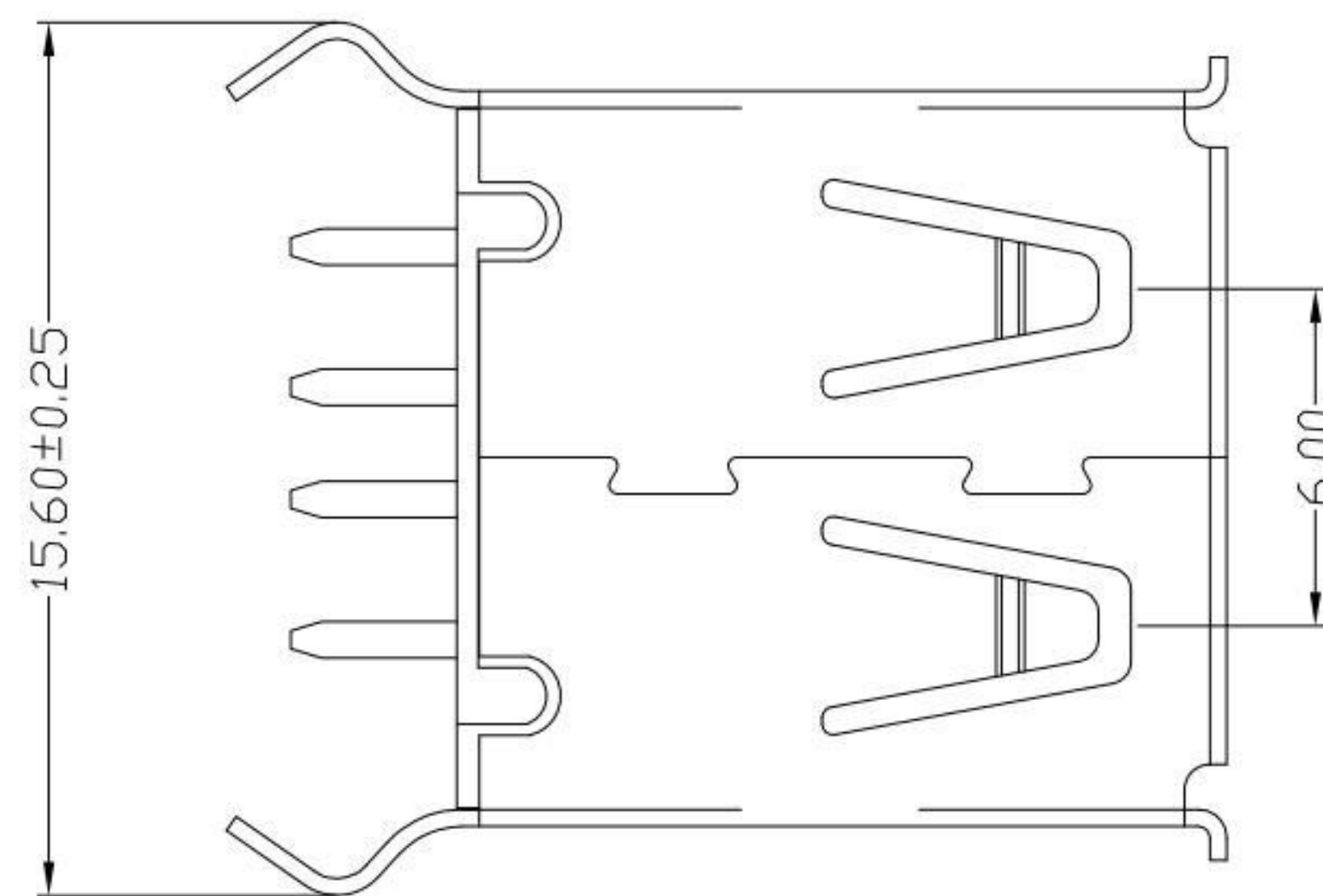
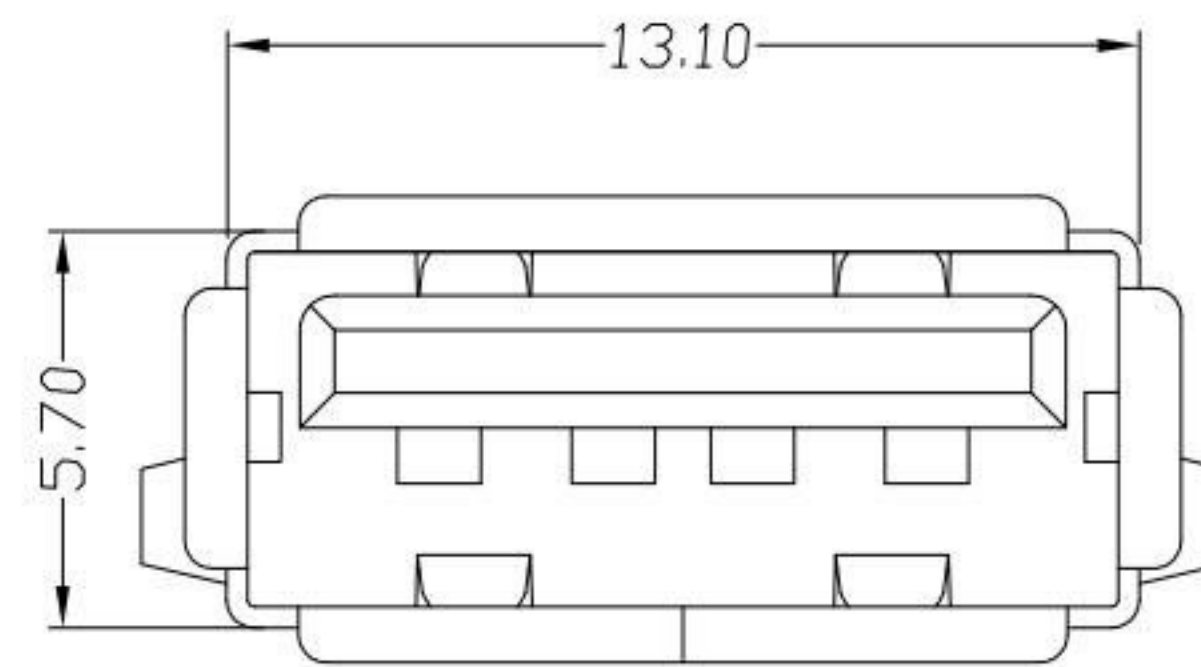
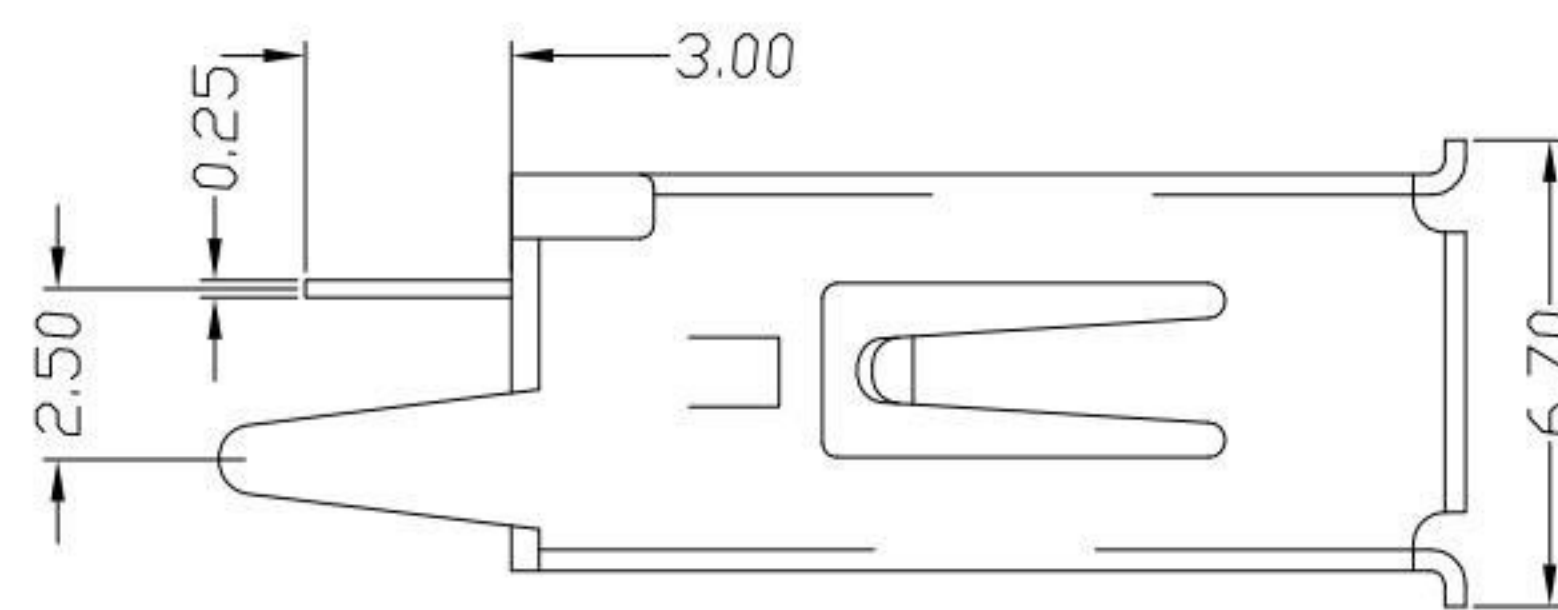
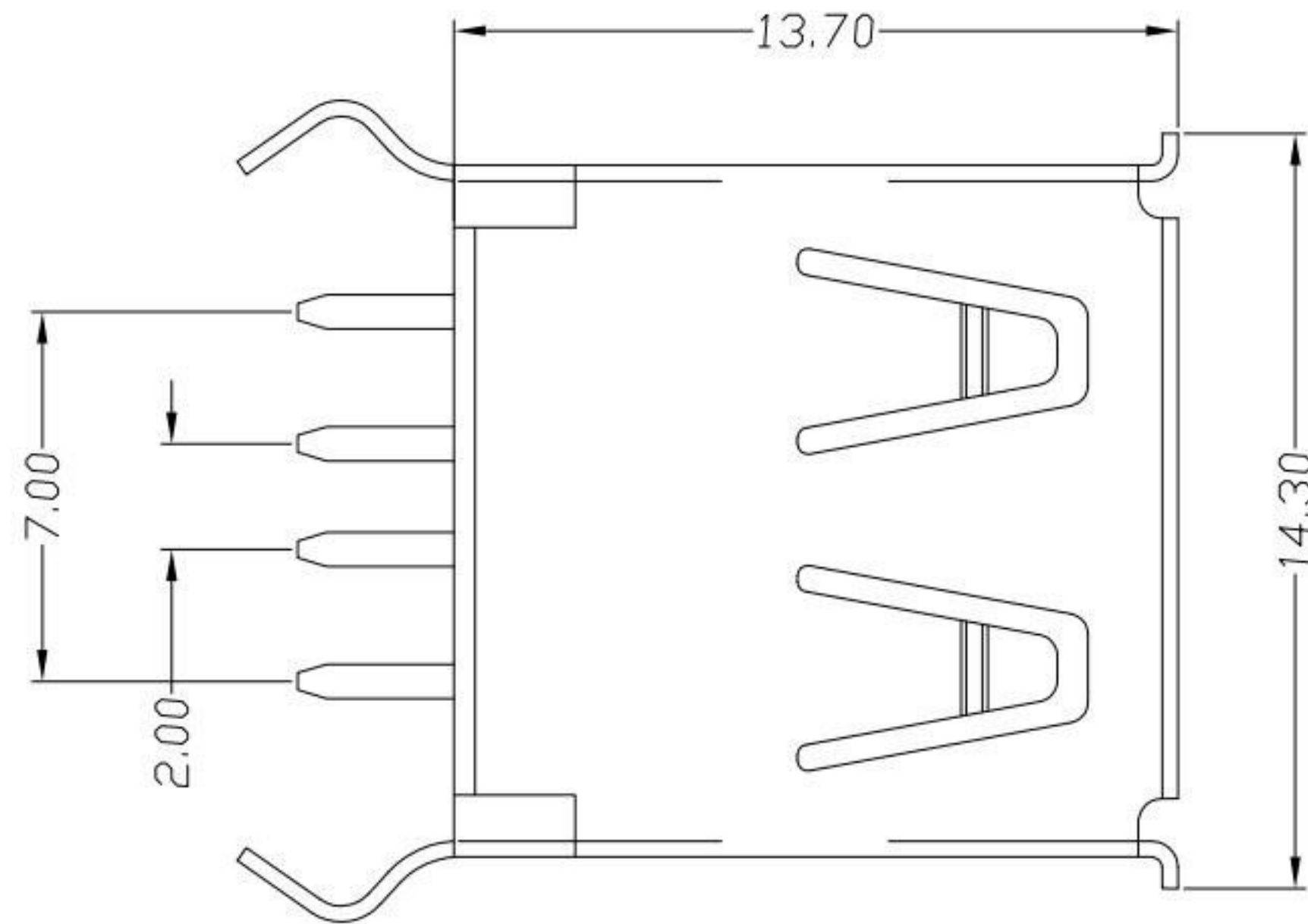
- 1.Contact Resistance: 30 mΩ Max
- 2.Dielectric Withstanding Voltage: 500 V AC
- 3.Insulation Resistance: 1,000 MΩ Min

### Material:

- 1.Housing: PBT
- 2.Contact: Phosphor Bronze
- 3.Shell: Brass / Spcc

### Finish:

- 1.Contact: Plated Gold in Mating Area ;  
Tin Plated on Solder Balls ;  
Nickel under plated overall
- 2.Shell: Nickel under Plated surface layer

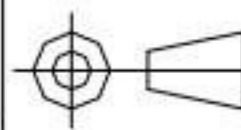


P.C.B LAYOUT MOUNTING PATTERN

**KSD** 科斯达电子科技有限公司  
 SWITCH CONNECTOR KSD ELECTRONIC TECHNOLOGY Co., LTD  
 全球 互联零组件制造企业

TOLERANCE UNLESS OTHERWISE STATED :  
 Up to 5 ±0.2  
 Above 5 ~ 15 ±0.3  
 Above 15 ~ 30 ±0.4  
 Above 30 ~ 50 ±0.5  
 Angle ±0.3°

3RD. ANGEL'S



UNITS

MM

DRAWN BY: Jack Lu DATE: 04/11/19  
 CHECKED BY: Jacky Chen DATE: 04/11/19  
 APPROVED BY: Tony Kao DATE: 04/11/19

MAT'L		TITLE	CONNECTOR
FINISH		MODLE	USB A/F 直立式 插板弯脚有捲邊 L:13.7mm 脚距 2.50mm
SCALE	1 : 1	DWG NO.	SUA-110V5Bx-x-S236
SHEET NO.	1 of 1	PART NO.	SUA-110V5Bx-x-S236

SIZE  
A4  
VER  
R