



SUA-110V7-x-S183

COLOR :

Black: B

White : W

SPECIFICATIONS

Electrical:

1. Dielectric Withstanding Voltage: AC 500 V / 1MIN
2. Insulation Resistance: 1,000 MΩ Min
3. Contact Resistance: 30 mΩ Max

Mechanical:

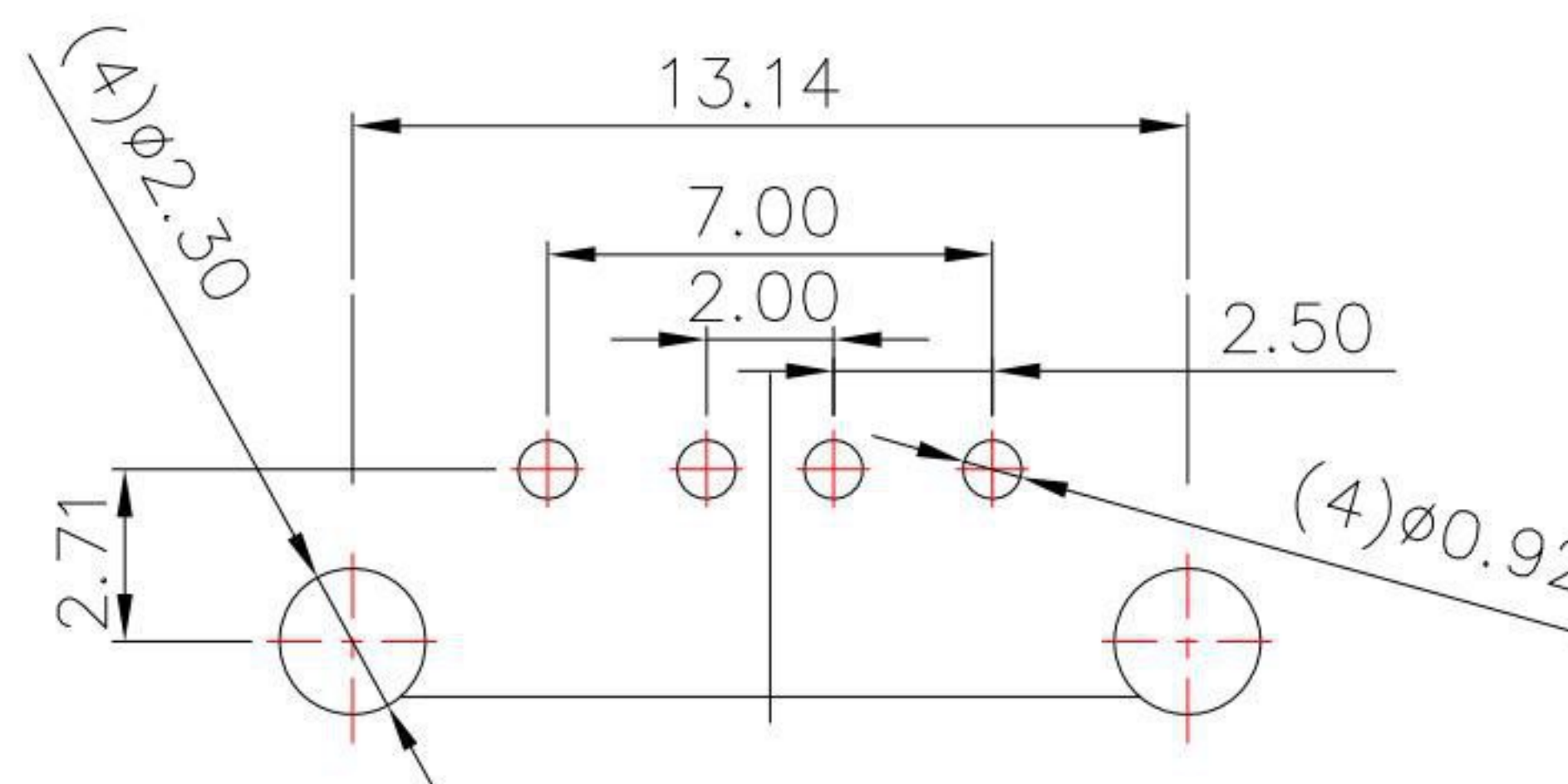
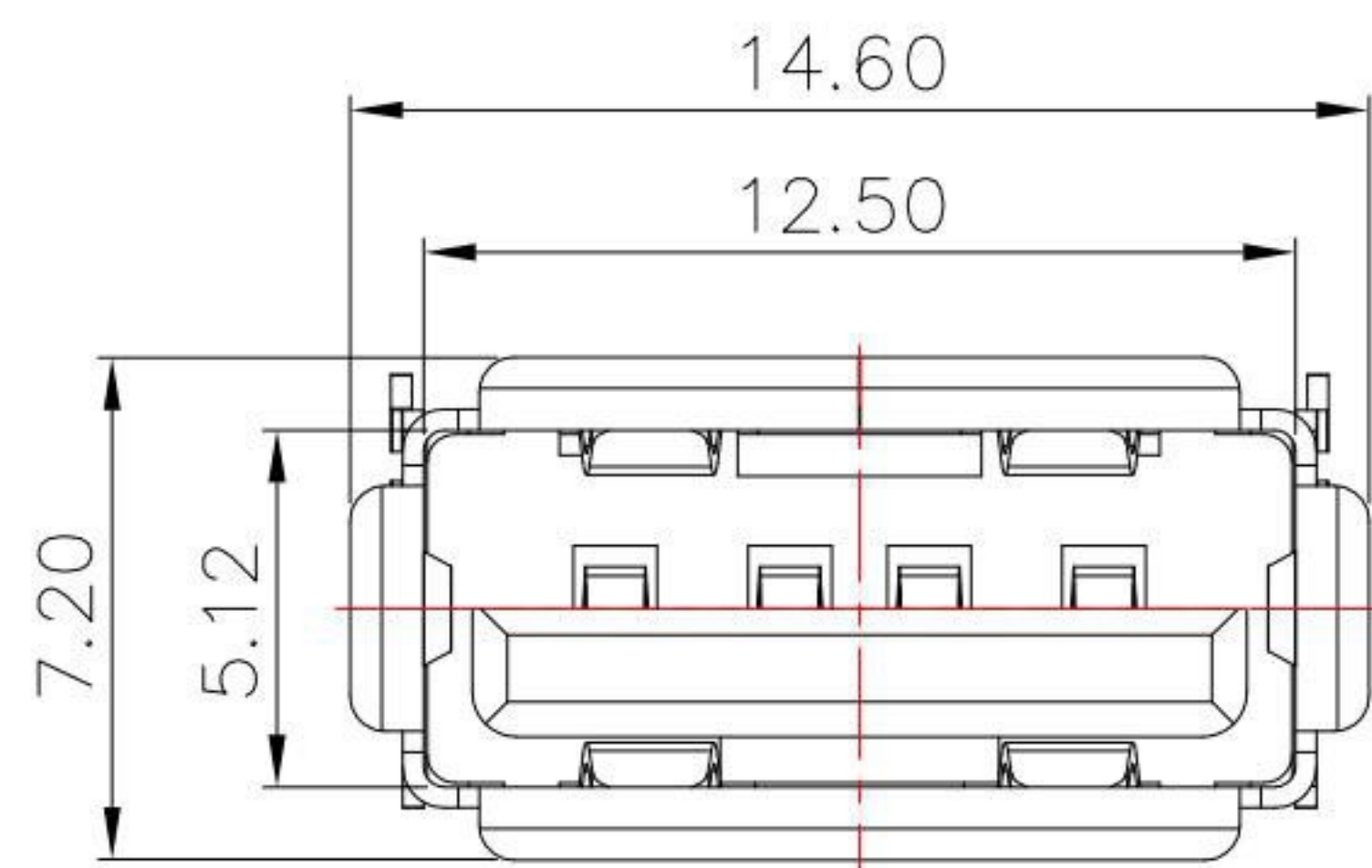
1. Connector Mate and Unmate Force
 - 1.1 Mate force: 3.57 kgf (Max)
 - 1.2 Unmate force: 1.02 kgf (Min)

Material:

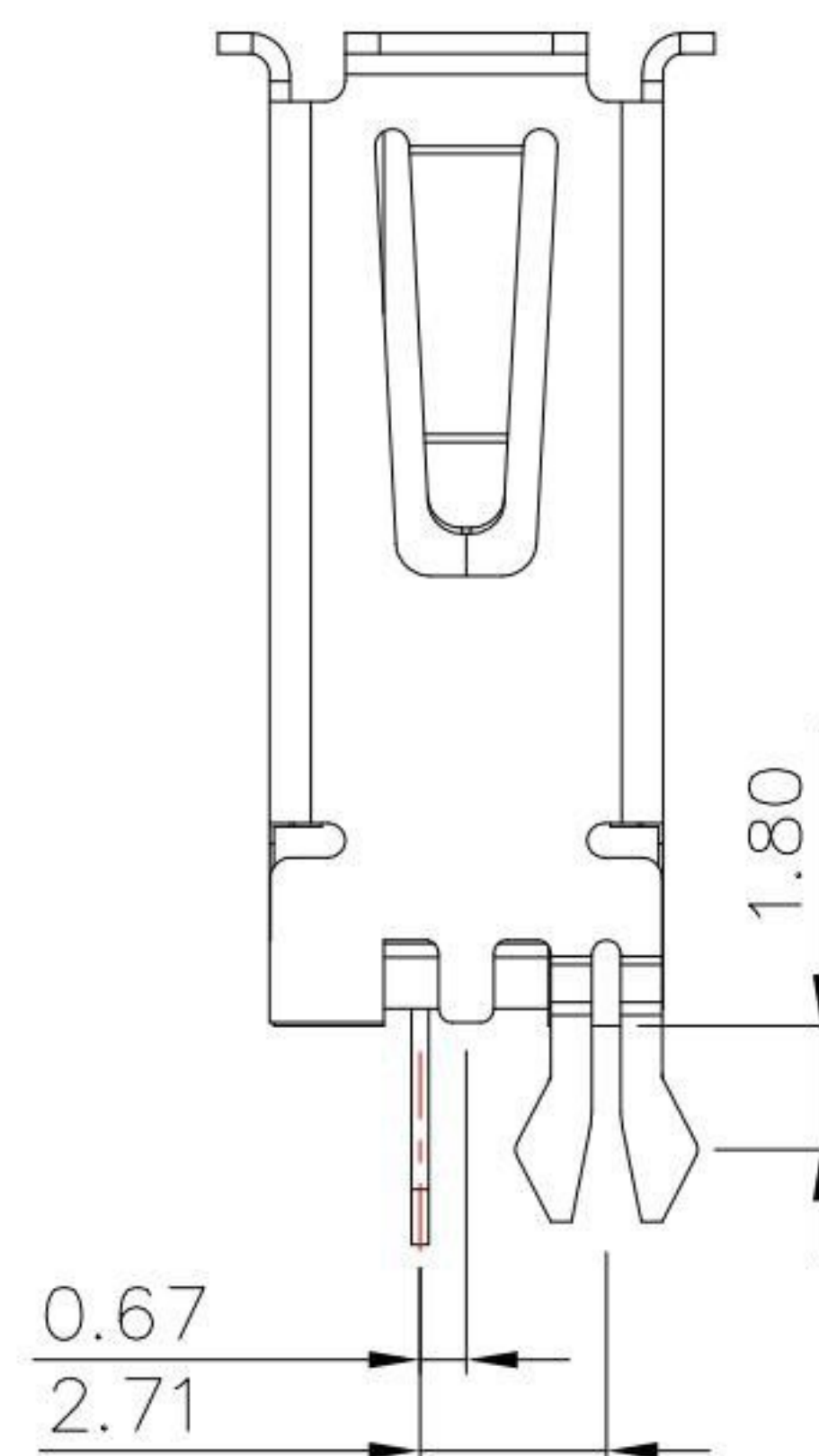
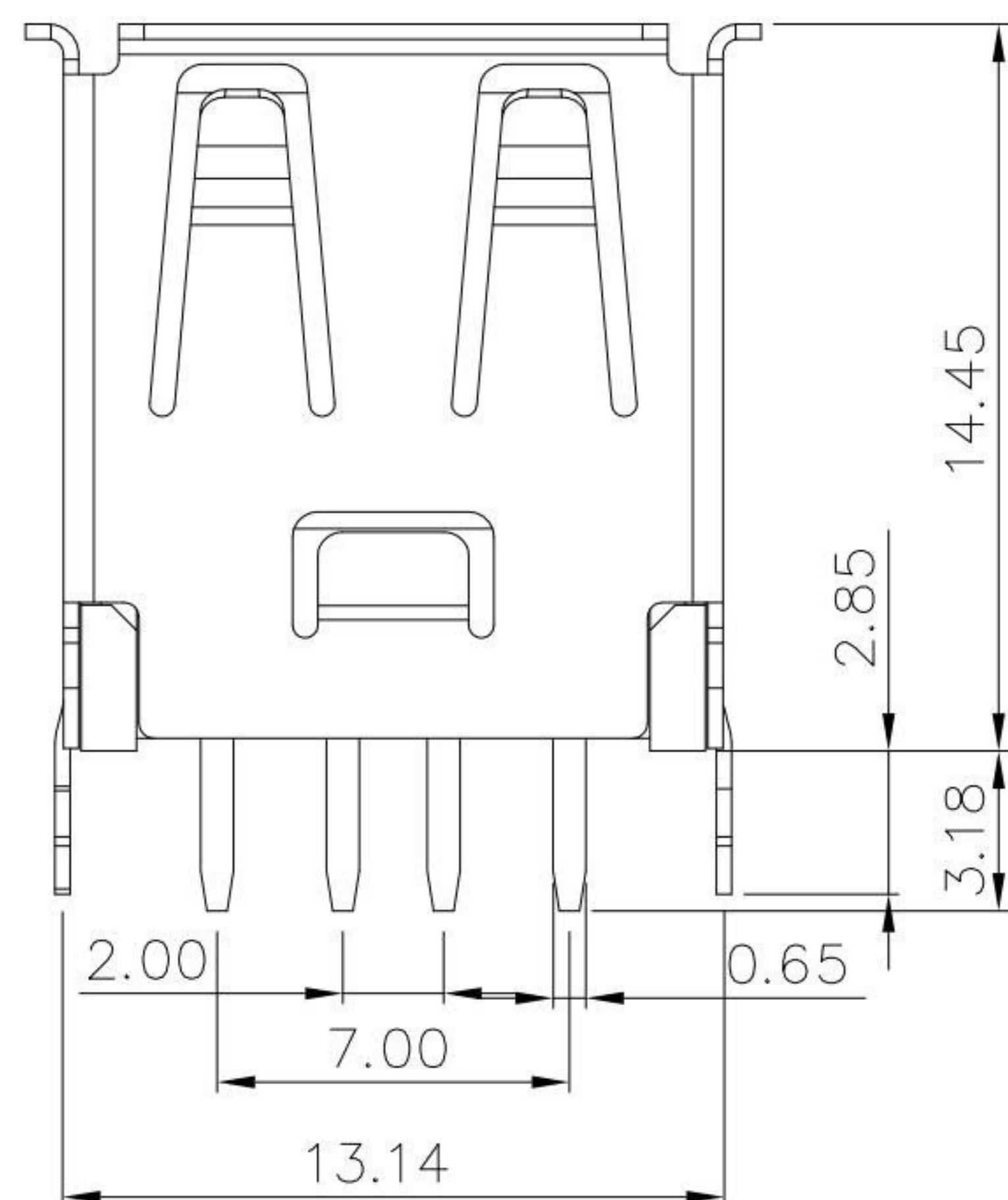
1. Housing: PBT, UL94V-0
2. Contact: Phosphor Bronze
3. Shell: Phosphor Bronze

Finish:

1. Contact: Plated Gold in Mating Area ;
Tin Plated on Solder Balls
Nickel under plated overall
2. Shell: Nickel under Plated surface layer



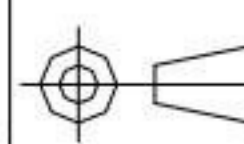
PCB LAYOUT MOUNTING PATTERN



KSD 科斯达电子科技有限公司
 SWITCH CONNECTOR KSD ELECTRONIC TECHNOLOGY Co., LTD
 全球 互聯零組件製造企業

TOLERANCE UNLESS OTHERWISE STATED:
 Up to 5 ±0.2
 Above 5 ~ 15 ±0.3
 Above 15 ~ 30 ±0.4
 Above 30 ~ 50 ±0.5
 Angle ±0.3°

3RD. ANGEL'S



UNITS MM

DRAWN BY: Jack Lu DATE: 07/17/15
 CHECKED BY: Jacky Chen DATE: 07/17/15
 APPROVED BY: Tony Kao DATE: 07/17/15

MAT'L		TITLE	CONNECTOR
FINISH		MODLE	USB A/F 直立式魚叉腳 L:14.45mm
SCALE	1 : 1	DWG NO.	SUA-110V7-x-S183
SHEET NO.	1 of 1	PART NO.	SUA-110V7-x-S183

SIZE A4
 VER R

ITEM NO.	DESCRIPTION	DRAWN	DATE