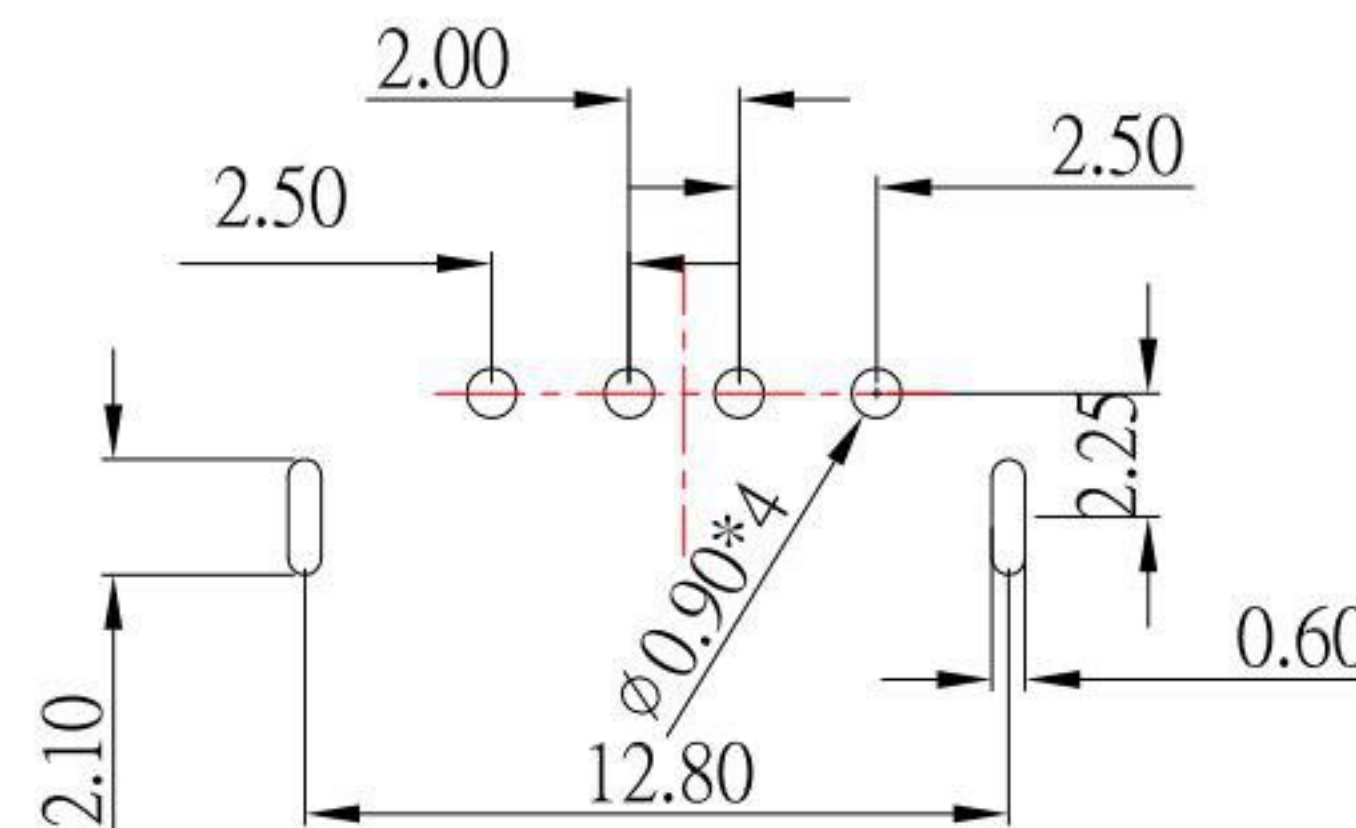
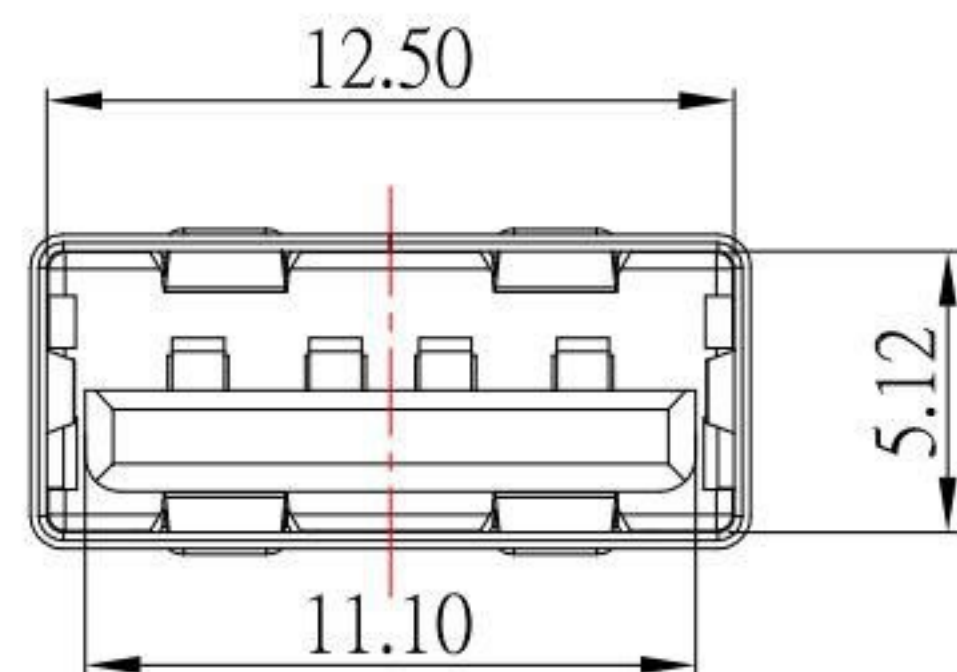




# SUA-110V8I-x-S329

COLOR :

- Black : B
- White : W



P.C.B LAYOUT MOUNTING PATTERN

## SPECIFICATIONS

### Electrical:

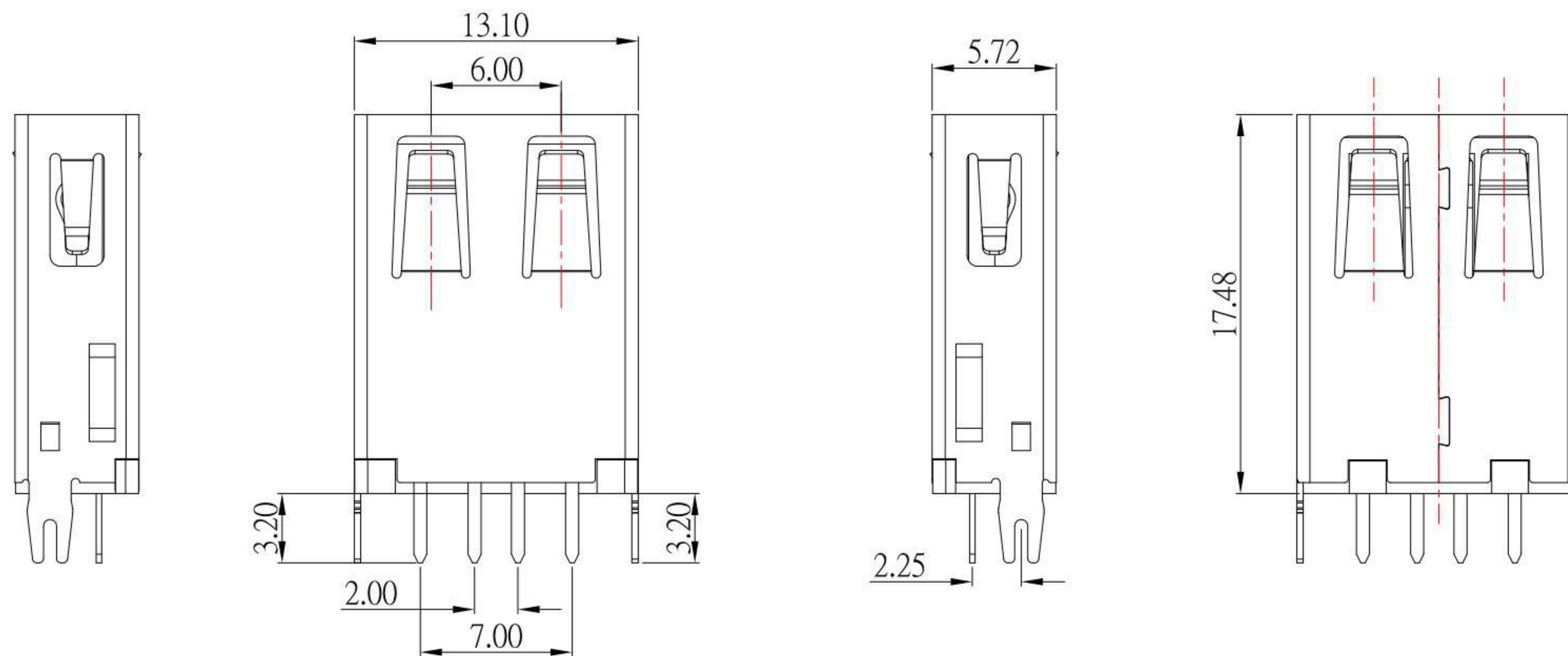
- 1.Contact Resistance: 30 mΩ Max
- 2.Insulation Resistance: 1,000 MΩ Min
- 3.Dielectric Withstanding Voltage: 500 V DC

### Material:

- 1.Housing: PBT, UL 94V-0
- 2.Contact: BRASS
- 3.Shell: SPCC

### Finish:

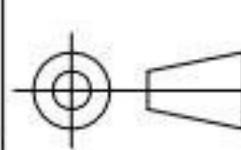
- 1.Contact: Plated Gold in Mating Area ;  
Tin Plated on Solder Balls  
Nickel under plated overall
- 2.Shell: Nickel under Plated surface layer



**KSD** 科斯达电子科技有限公司  
SWITCH CONNECTOR KSD ELECTRONIC TECHNOLOGY Co., LTD  
全球 互联零组件制造企业

TOLERANCE UNLESS OTHERWISE STATED :  
Up to 5 ±0.2  
Above 5 ~ 15 ±0.3  
Above 15 ~ 30 ±0.4  
Above 30 ~ 50 ±0.5  
Angle ±0.3°

3RD. ANGEL'S



UNITS MM

DRAWN BY: Jack Lu  
DATE: 06/17/22  
CHECKED BY: Jacky Chen  
DATE: 06/17/22  
APPROVED BY: Tony Kao  
DATE: 06/17/22

MAT'L		TITLE	CONNECTOR
FINISH		MODLE	USB A/F 插板 無捲邊直腳 L:17.5mm
SCALE	1 : 1	DWG NO.	SUA-110V8I-x-S329
SHEET NO.	1 of 1	PART NO.	SUA-110V8I-x-S329
		SIZE	A4
		VER	R1

1	更新樣式	Jack	061722
ITEM NO.	DESCRIPTION	DRAWN	DATE