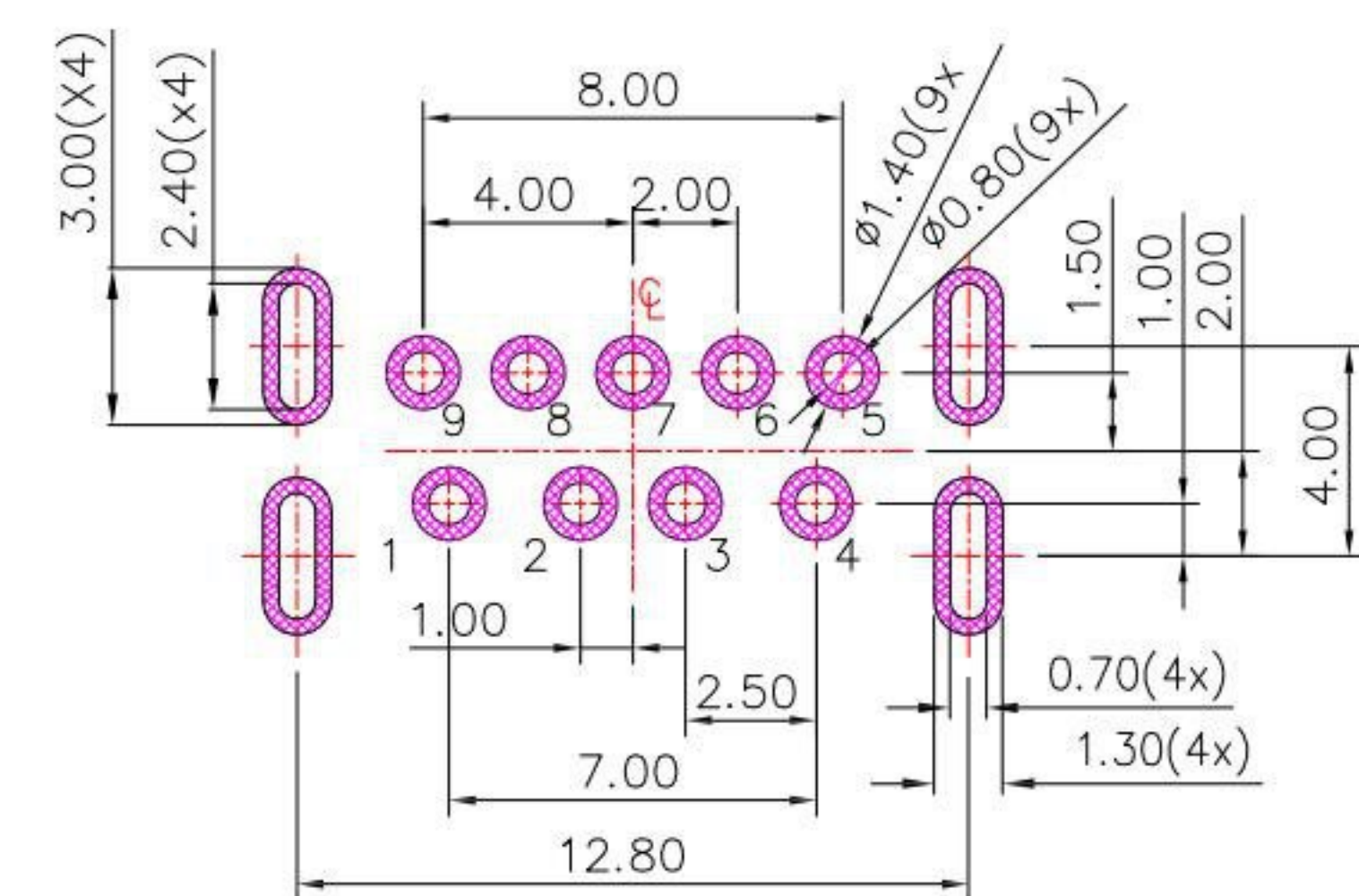
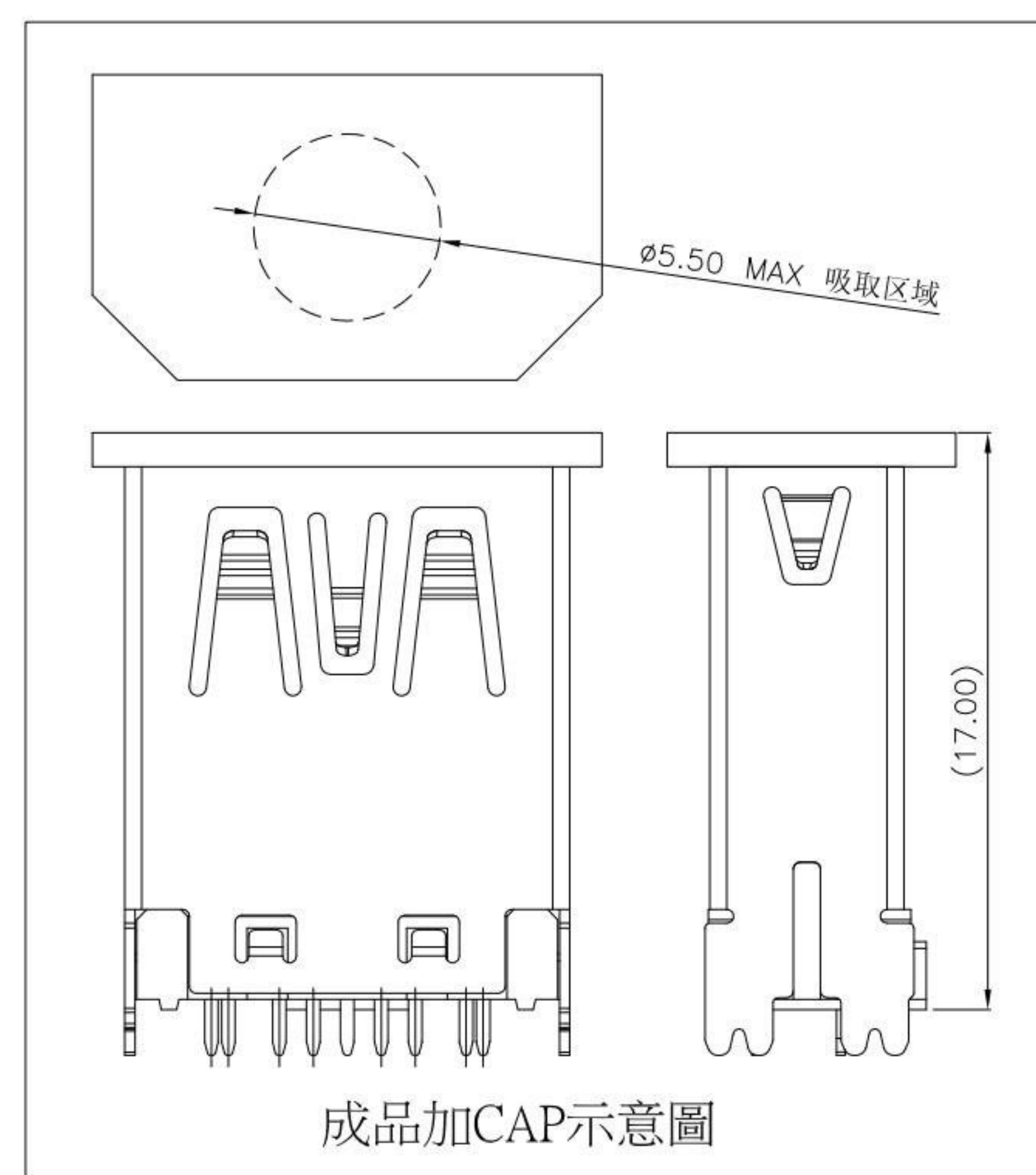
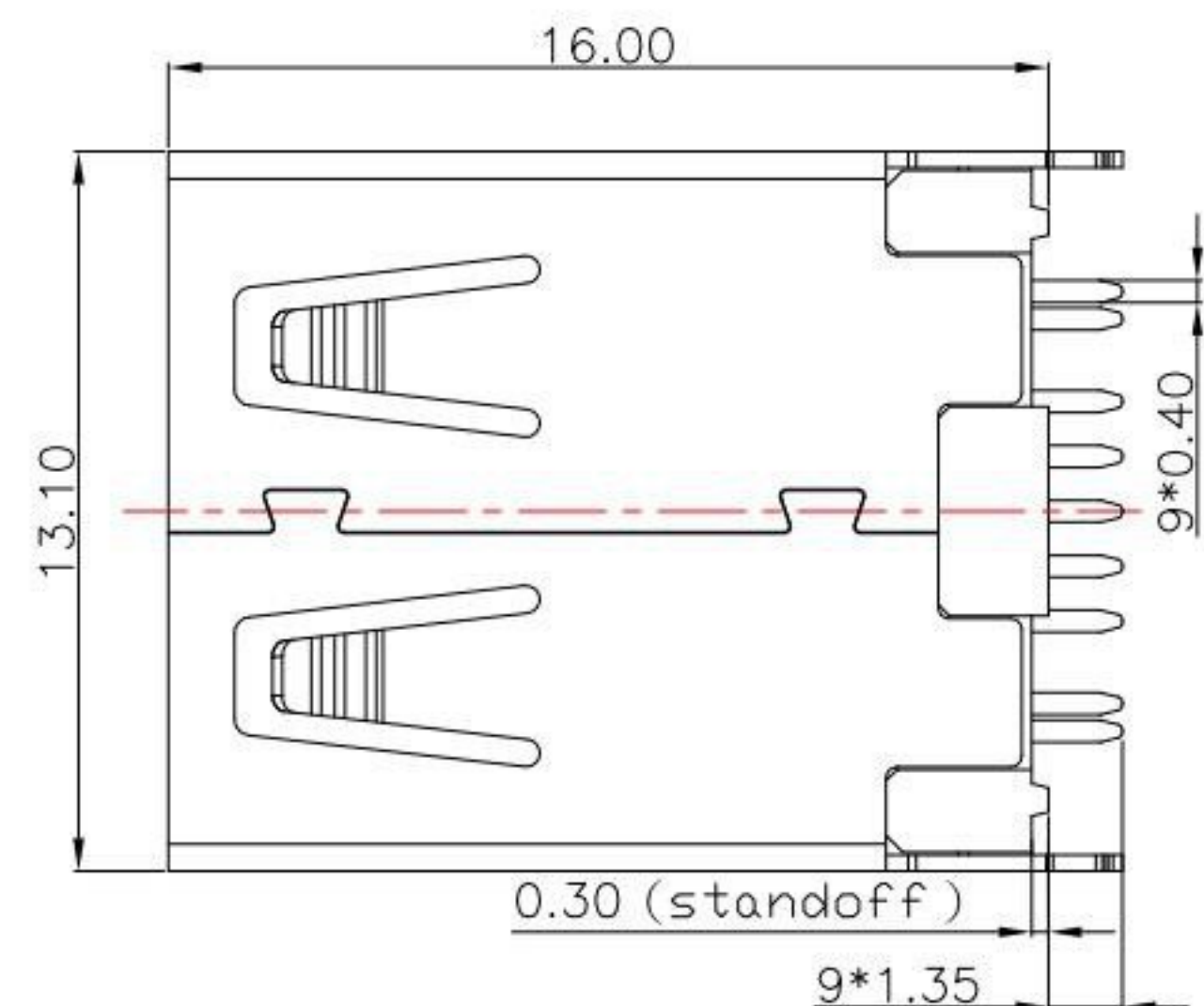




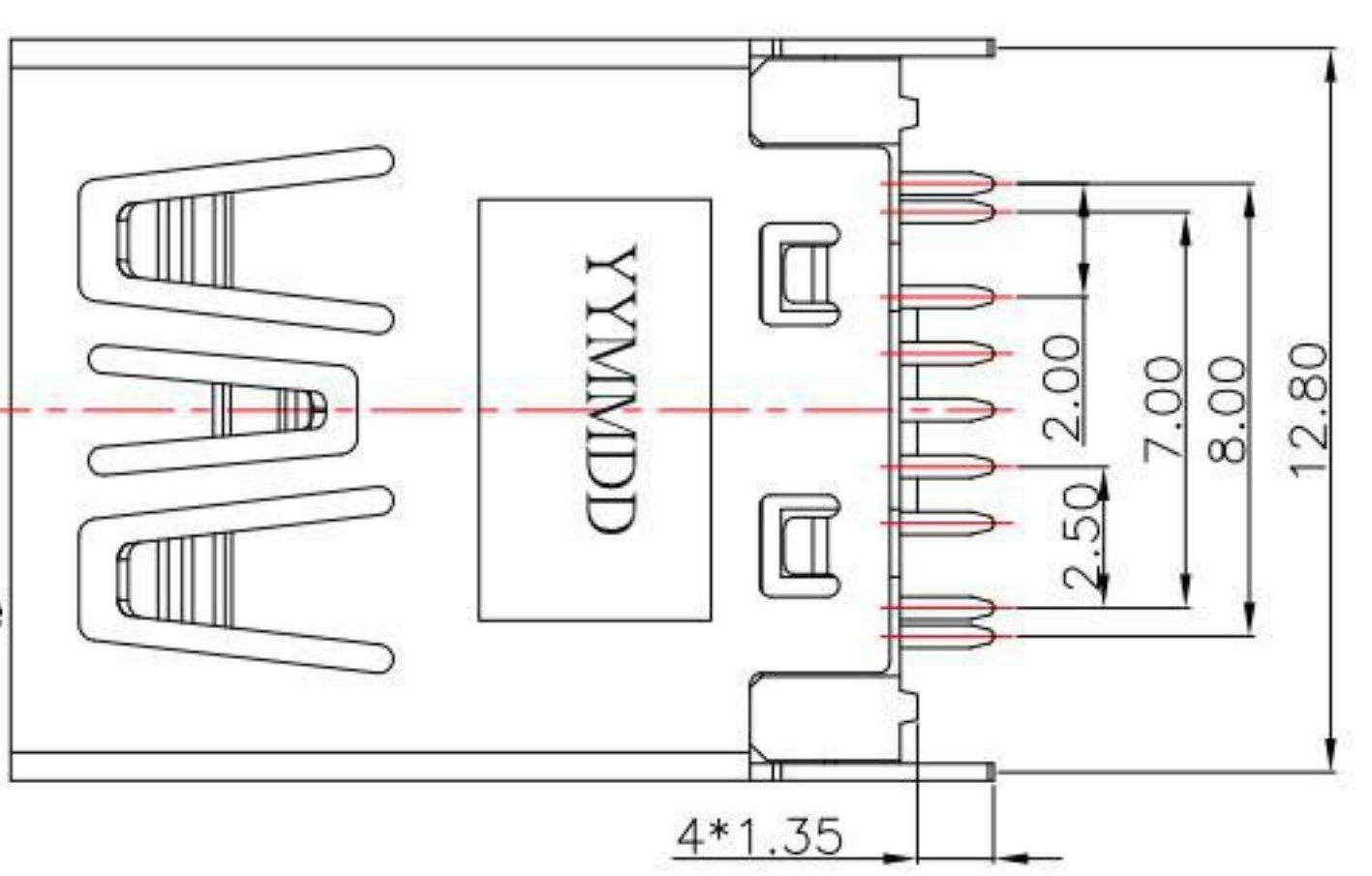
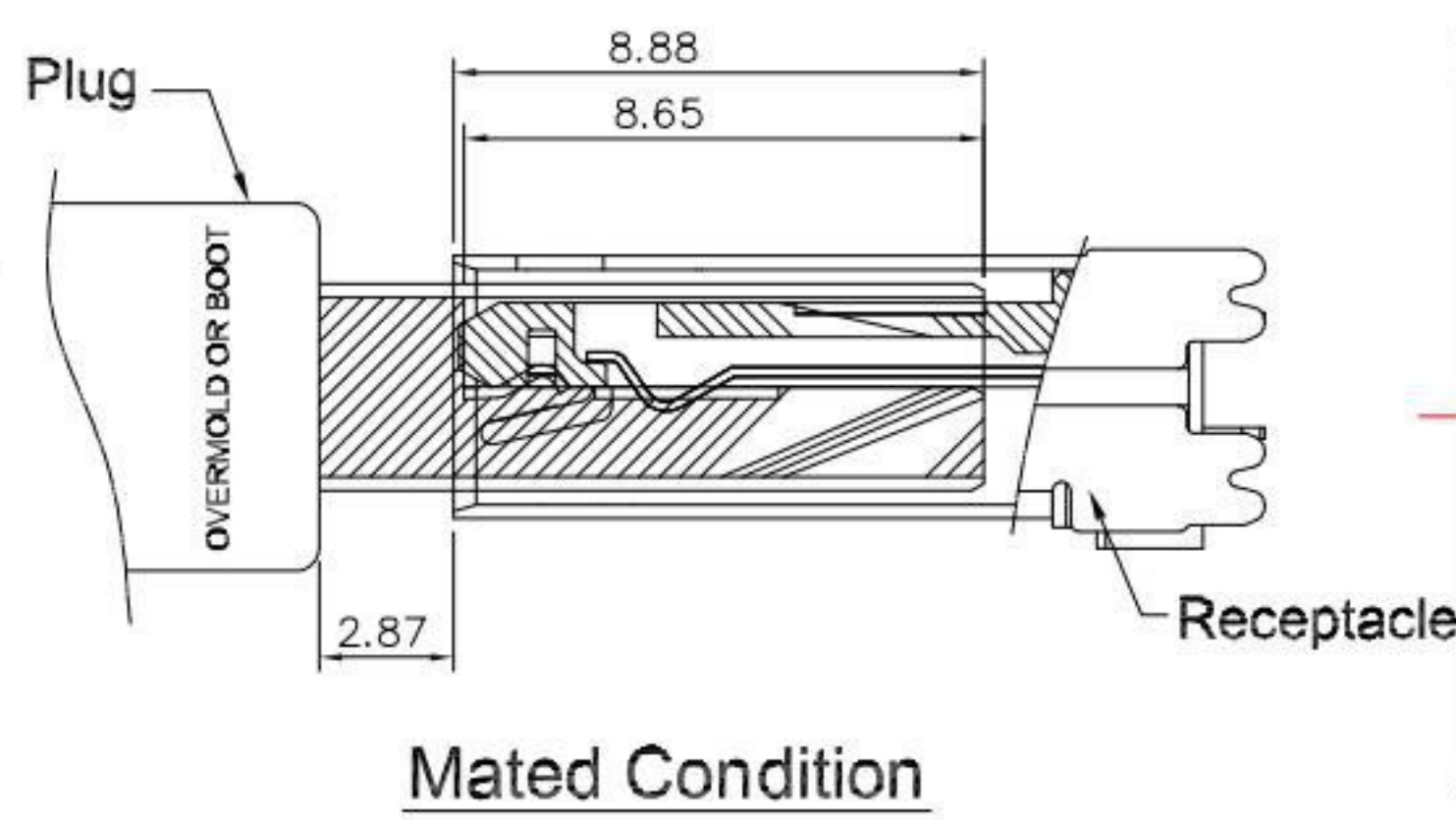
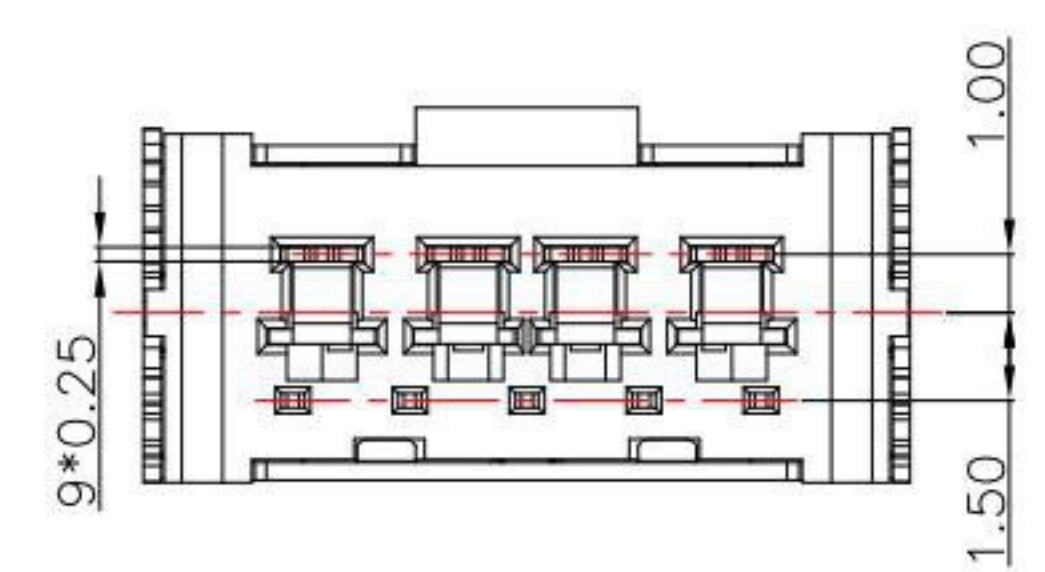
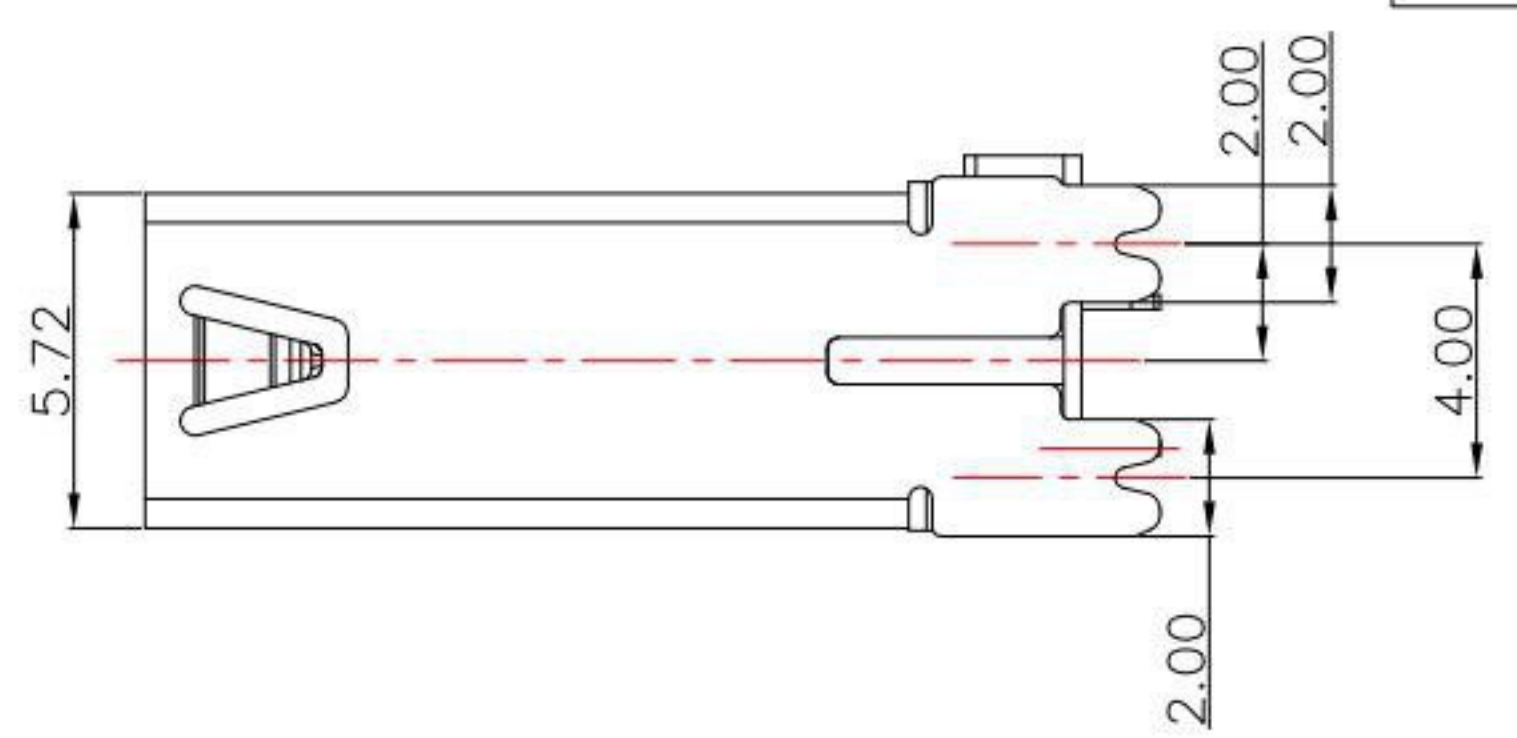
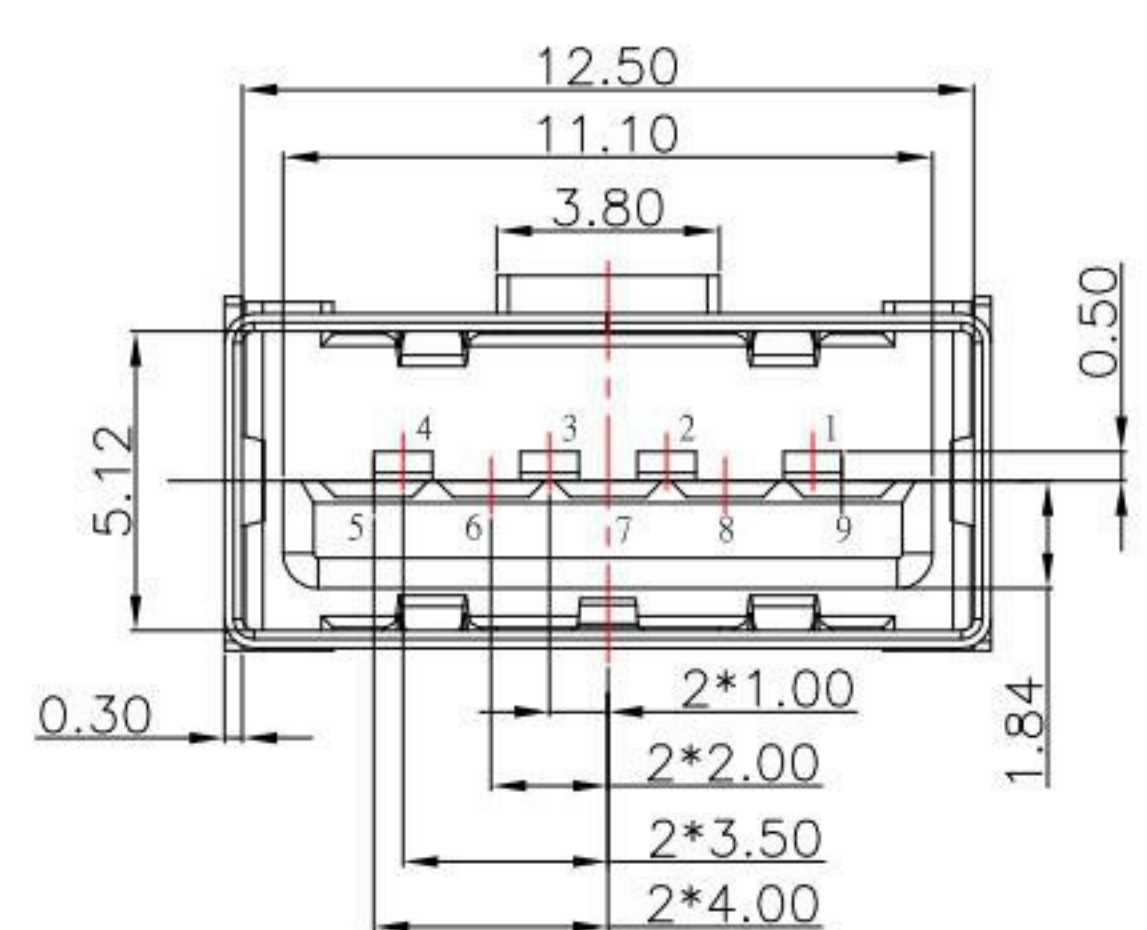
SUA-110V9-30x-S410

鍍層厚度:

Blank	: 1u"
2	: 15u"
3	: 30u"



RECOMMENDED PCB LAYOUT



Pin NUMBER	SIGNAL NAME
1	VBUS
2	D-
3	D+
4	GND
5	StdA_SSRX-
6	StdA_SSRX+
7	GND_DRAIN
8	StdA_SSTX-
9	StdA_SSTX+
Shell	Shield

NOTE:

- 1.MATERIAL:
 - 1.1 Housing: LCP
 - 1.2 Contact: Phosphor Bronze
 - 1.3 Shell: SUS
- 2.Finish:
 - 2.1 Contact: Plated Gold in Mating Area ;
Tin Plated on Solder Balls ;
Nickel under plated overall
 - 2.2 Shell: Nickel under Plated surface layer

KSD 科斯达电子科技有限公司
SWITCH CONNECTOR KSD ELECTRONIC TECHNOLOGY Co., LTD
全球 互联零组件制造企业

TOLERANCE UNLESS OTHERWISE STATED:
Up to 5 ±0.2
Above 5 ~ 15 ±0.3
Above 15 ~ 30 ±0.4
Above 30 ~ 50 ±0.5
Angle ±0.3°

3RD. ANGEL'S

UNITS MM

DRAWN BY:	DATE	MAT'L	TITLE	CONNECTOR
Jack Lu	09/14/22			
CHECKED BY:	DATE	FINISH	MODLE	USB 3.0 AF 180度 H16.00 DIP 端子脚长1.35
Jacky Chen	09/14/22			
APPROVED BY:	DATE	SCALE	DWG NO.	SUA-110V9-30x-S410
Tony Kao	09/14/22	1:1		
SHEET NO.	1 of 1	PART NO.	SUA-110V9-30x-S410	SIZE A4
				VER R

ITEM NO.	DESCRIPTION	DRAWN	DATE