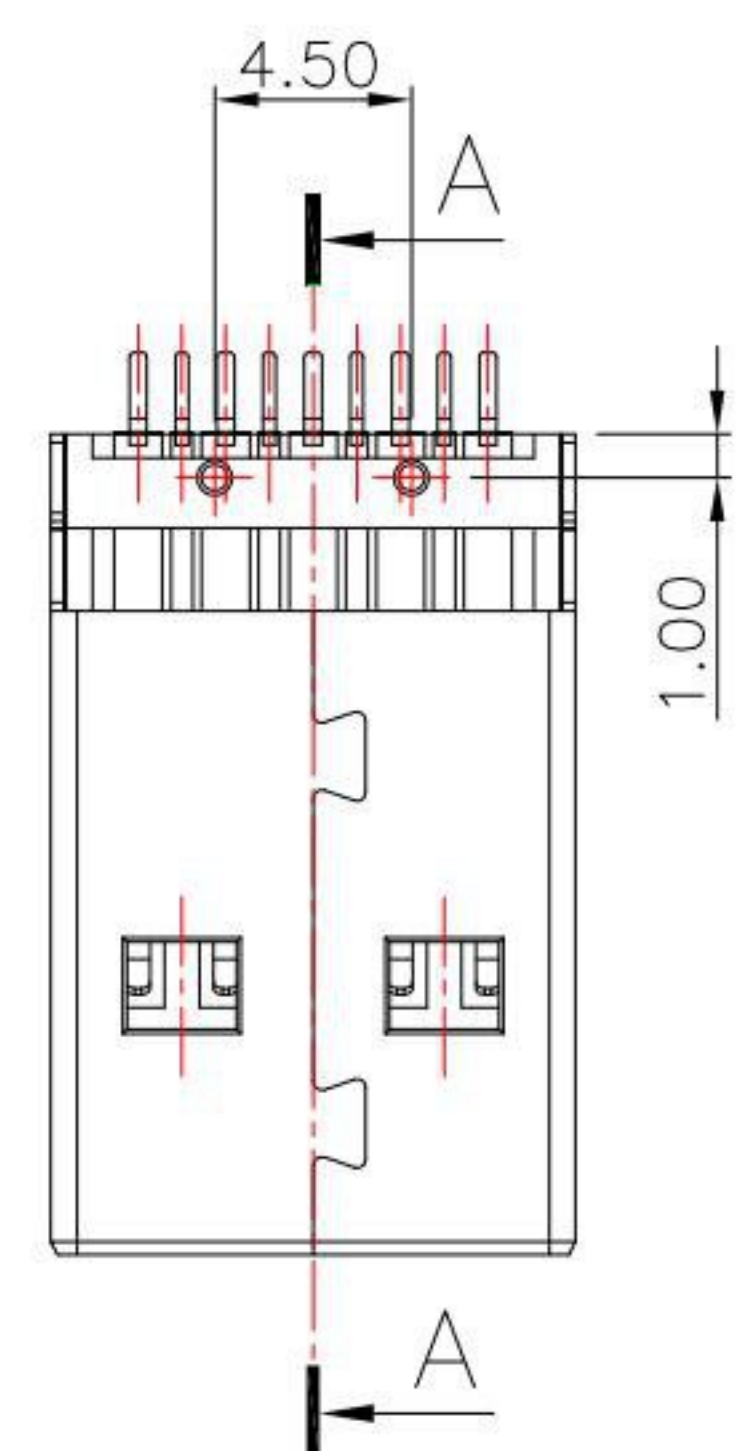
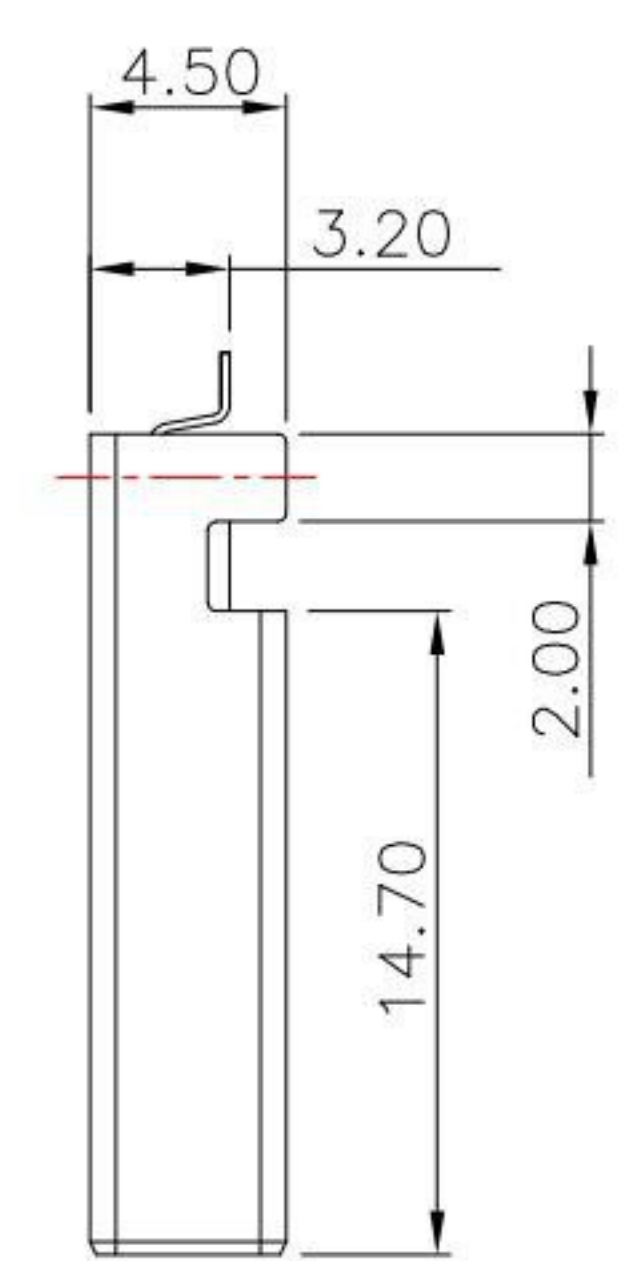
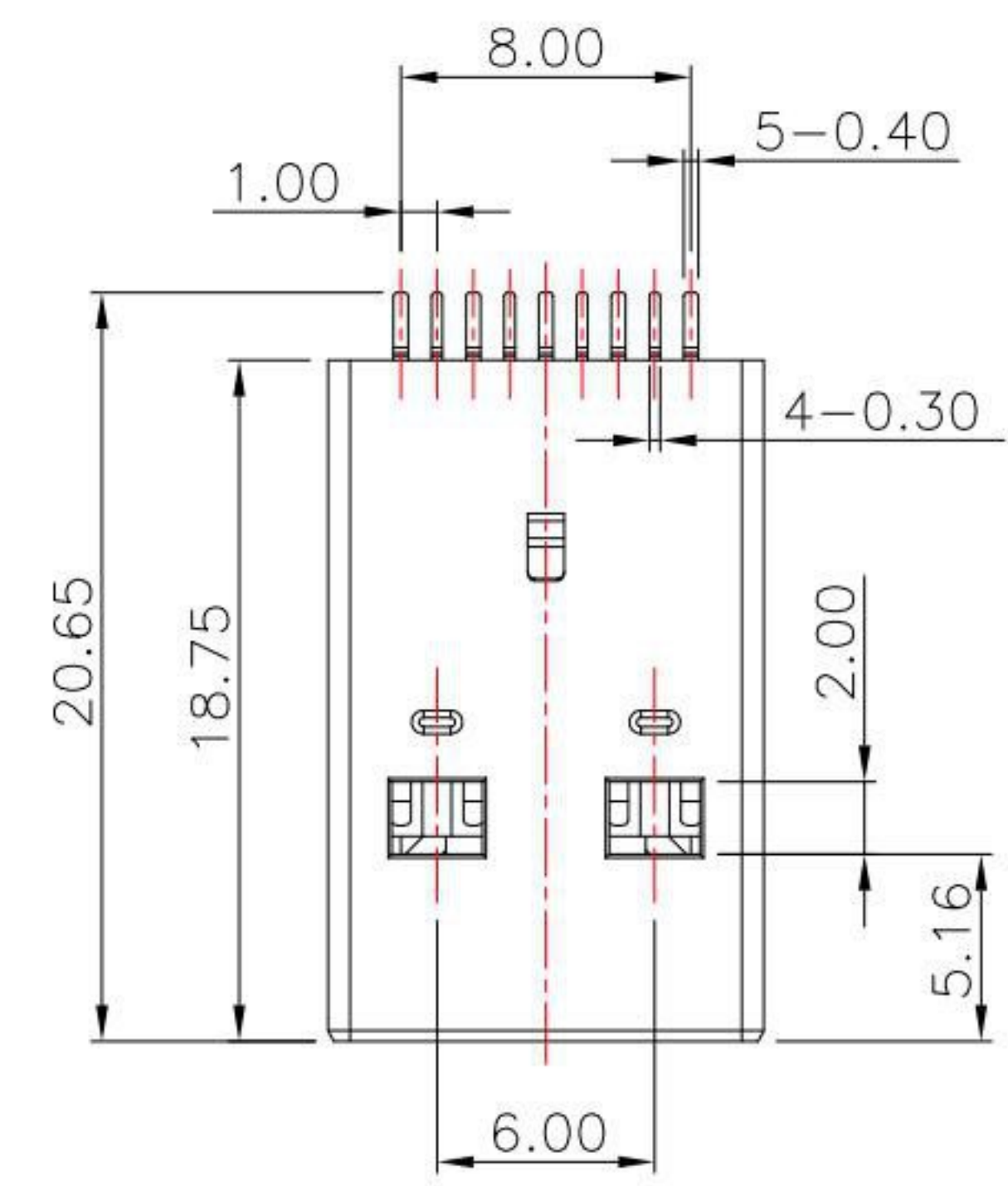
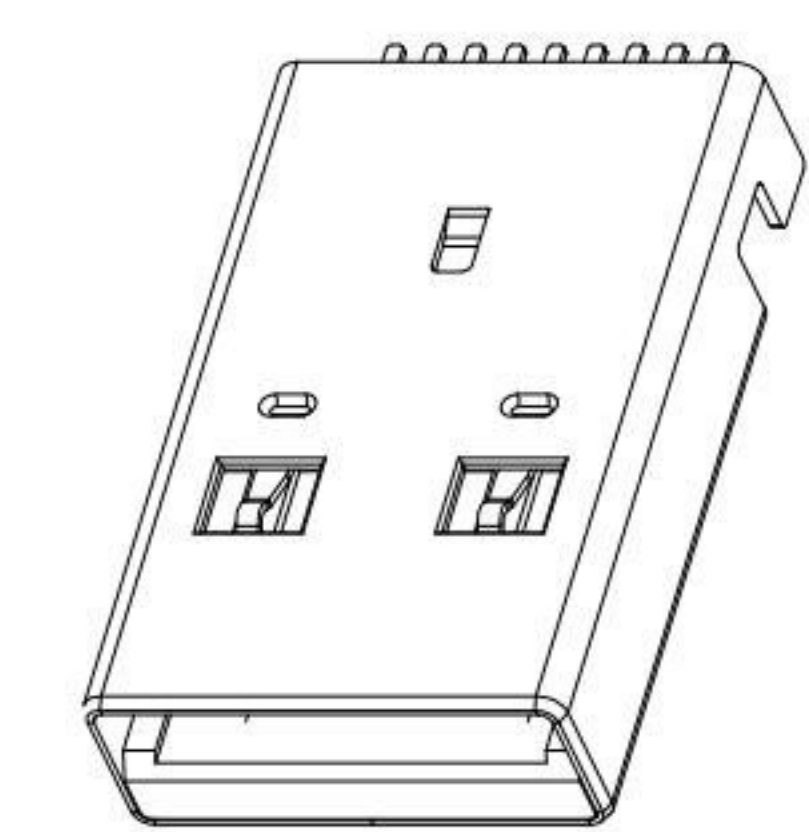




SUA-111M3-30x-S277

鍍層厚度:

Blank : 1u"
2 : 15u"
3 : 30u"



NOTE:

1.MATERIAL:

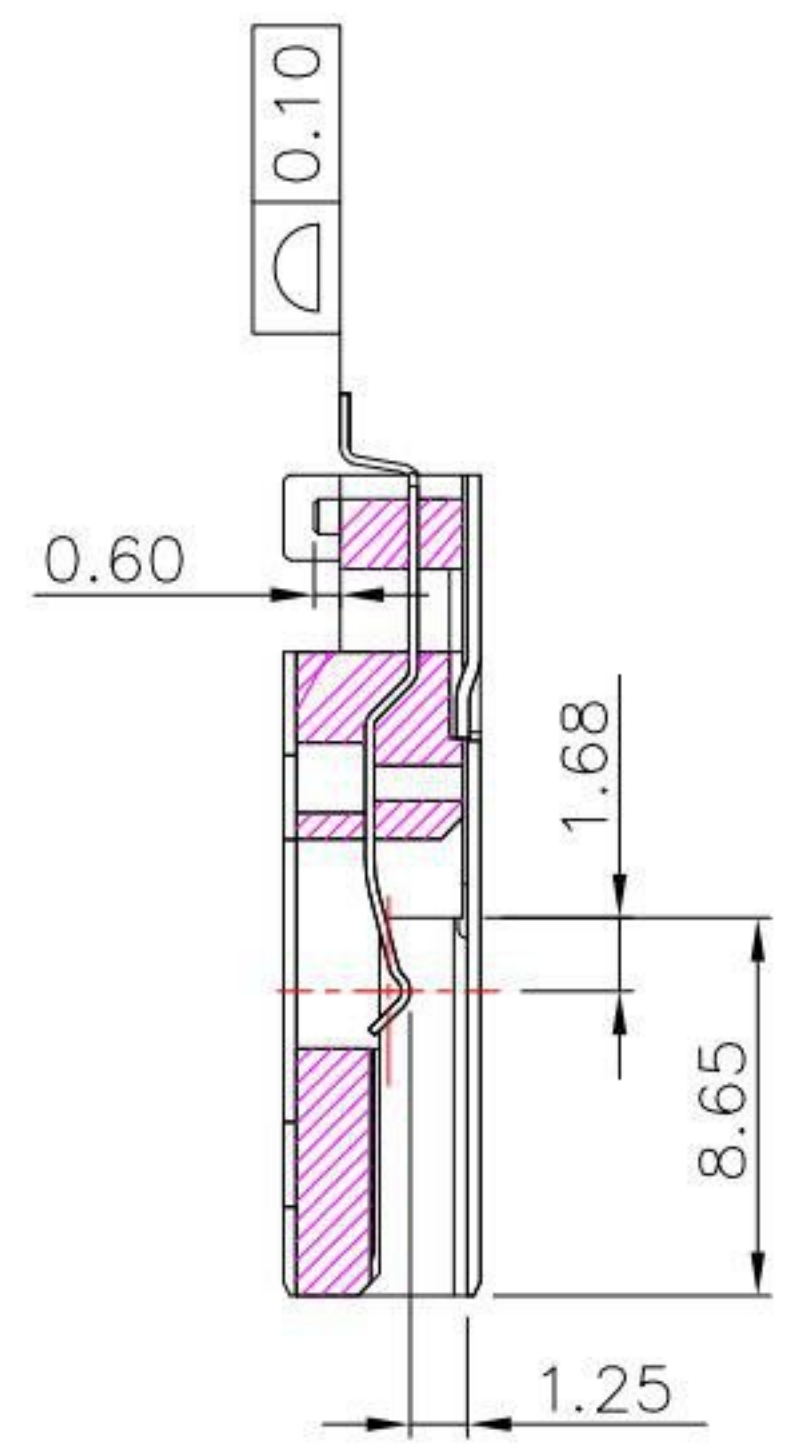
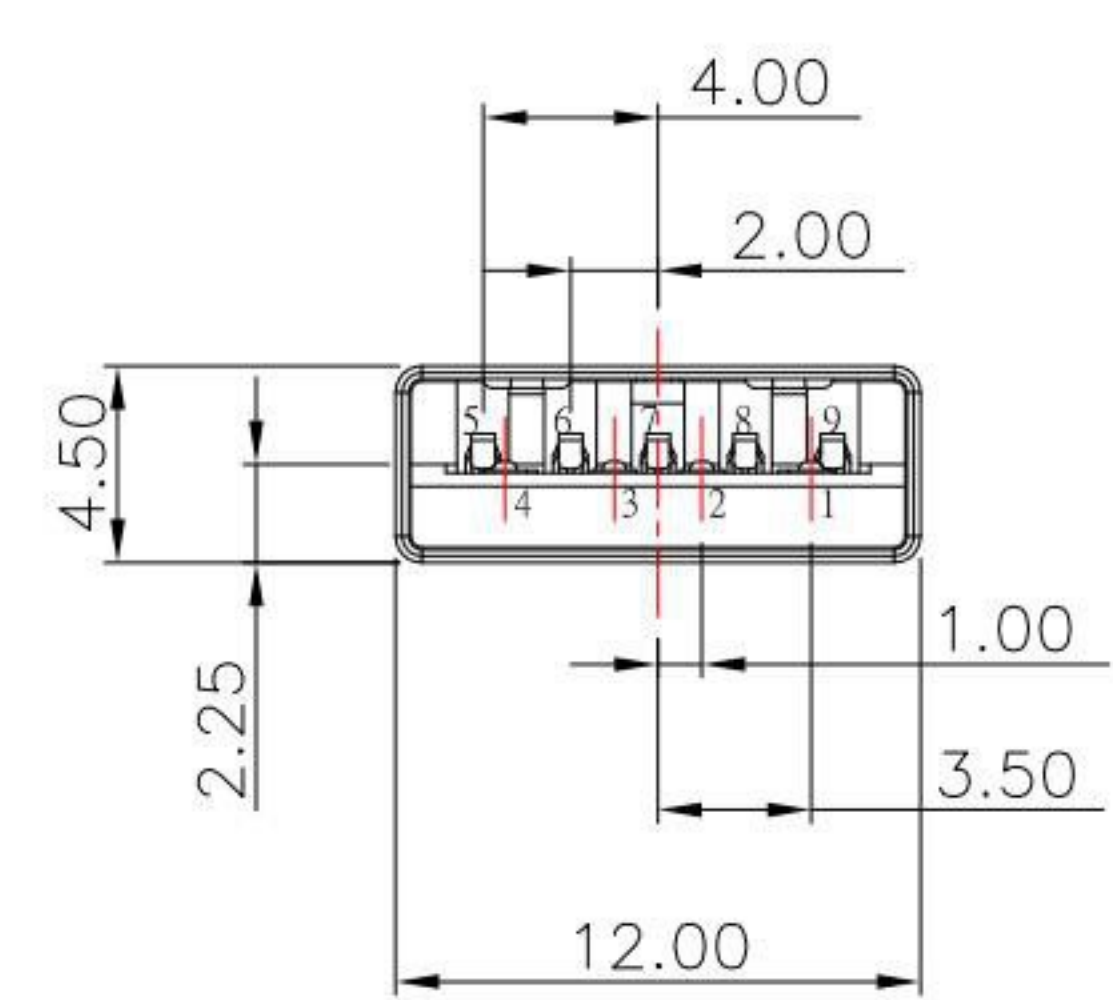
- 1.1 INSULATOR: LCP, UL 94V-0,Blue
- 1.2 CONTACT: PHOSPHOR BRONZE
- 1.3 SHELL: SPCC

2.PLATING:

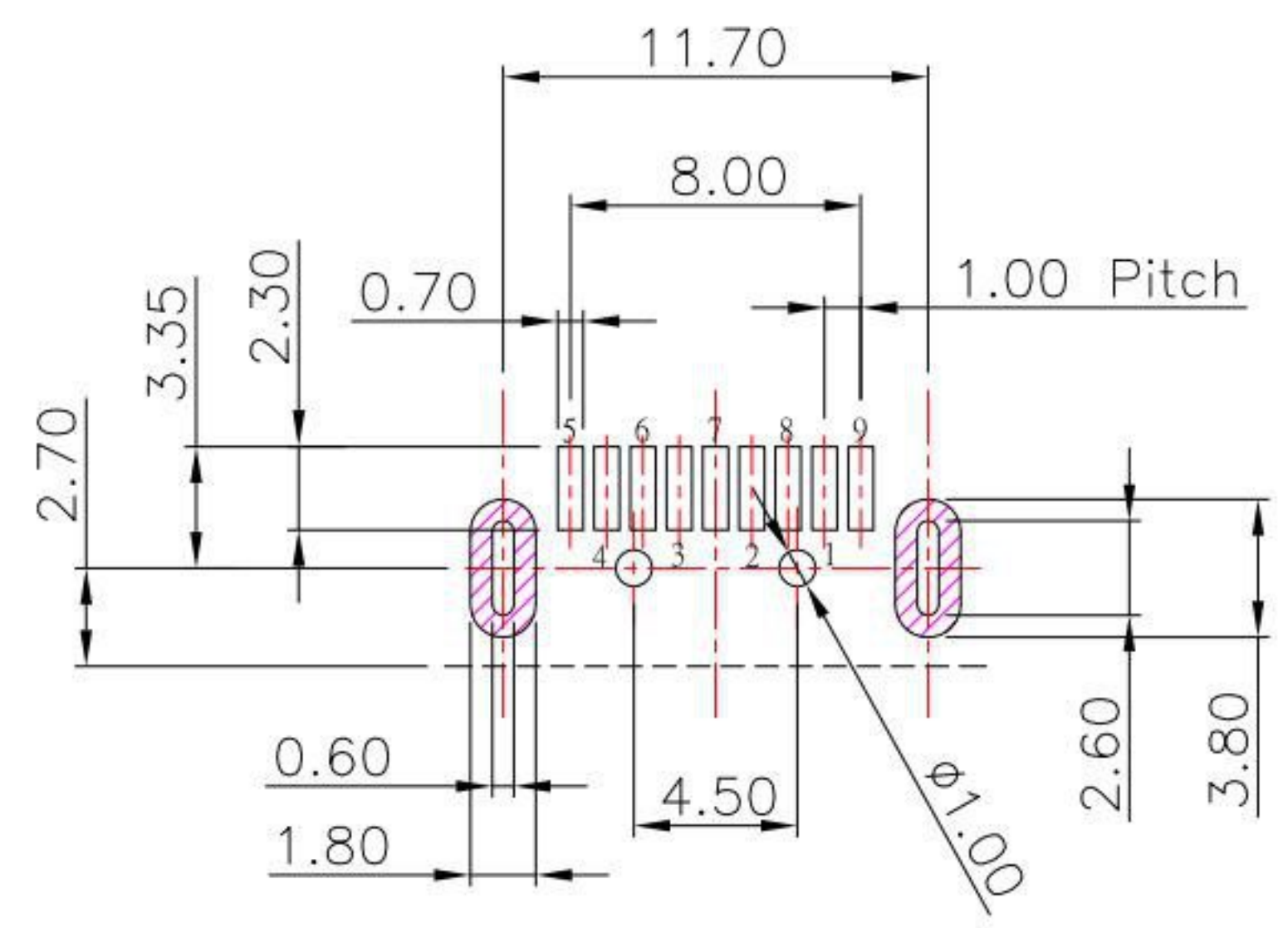
- 2.1 CONTACT: Plated Gold in Mating Area ;
Tin Plated on Solder Balls ;
Nickel under plated overall
- 2.2 SHELL: Nickel under Plated surface layer

3.ELECTRICAL CHARACTERISTICS;

- 3.1 CURRENT RATING: 1.5 Ampere Min
- 3.2 VOLTAGE: 30VAC(R.M.S)
- 3.3 CONTACT RESISTANCE: 30mΩ MAXIMUM
- 3.4 DIELECTRIC WITHSTANDING VOLTAGE: 500 VAC
- 3.5 INSULATION RESISTANCE 100 MΩ MIN
- 3.6 ENVIRONMENTAL: -55°C ~ 105°C



SECTION "A-A"



P.C.B LAYOUT MOUNTING PATTERN

KSD 科斯达电子科技有限公司
 SWITCH CONNECTOR KSD ELECTRONIC TECHNOLOGY Co., LTD
 全球 互聯零組件製造企業

TOLERANCE UNLESS OTHERWISE STATED:

Up to 5	±0.2
Above 5 ~ 15	±0.3
Above 15 ~ 30	±0.4
Above 30 ~ 50	±0.5
Angle	±0.3°

3RD. ANGEL'S

UNITS MM

DRAWN BY:	DATE	MAT'L	TITLE	CONNECTOR
Jack Lu	08/21/14			
CHECKED BY:	DATE	FINISH	MODLE	USB AM 3.0 沉板3.2mm L18.7mm
Jacky Chen	08/21/14			
APPROVED BY:	DATE	SCALE	DWG NO.	SUA-111M3-30x-S277
Tony Kao	08/21/14	1 : 1		
SHEET NO.	1 of 1	PART NO.	SUA-111M3-30x-S277	SIZE A4
				VER R

ITEM NO.	DESCRIPTION	DRAWN	DATE