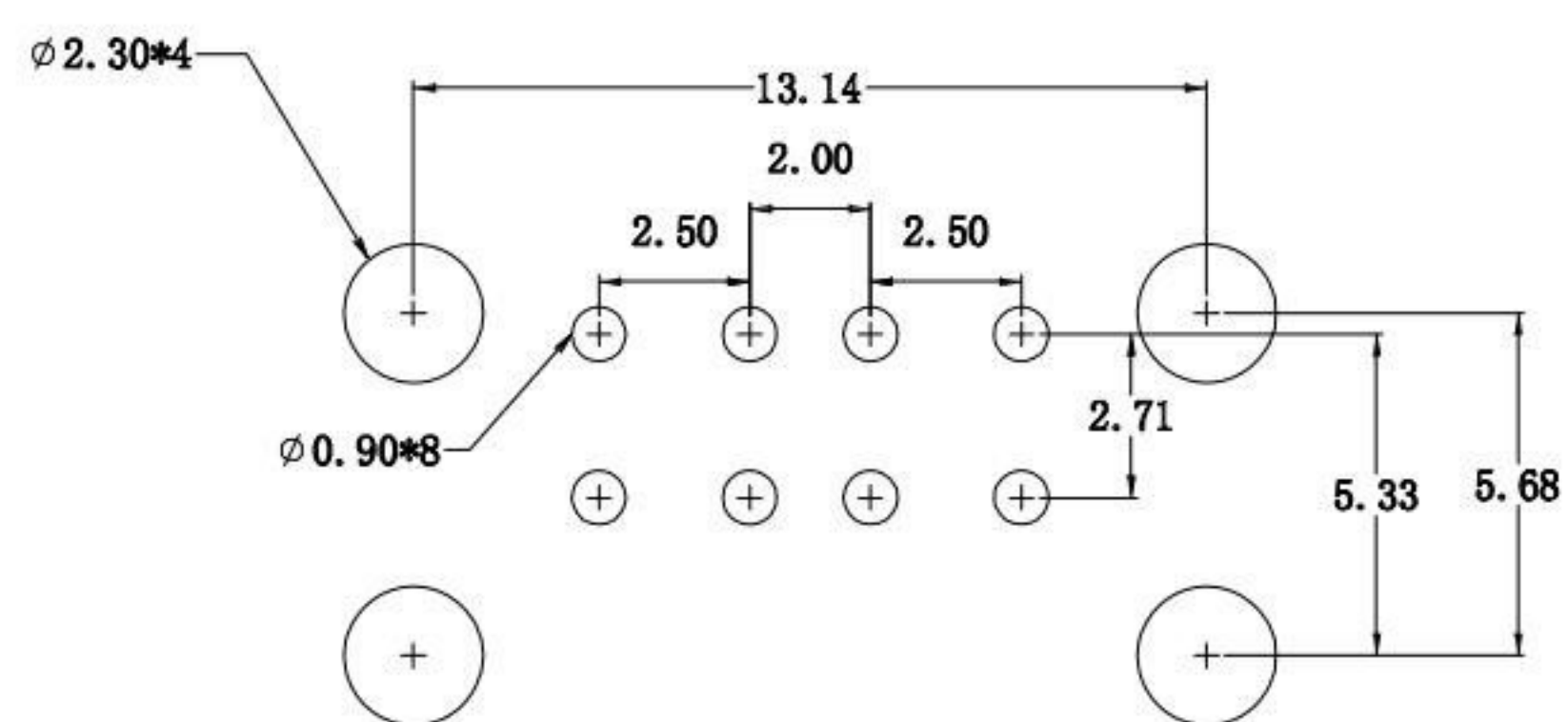
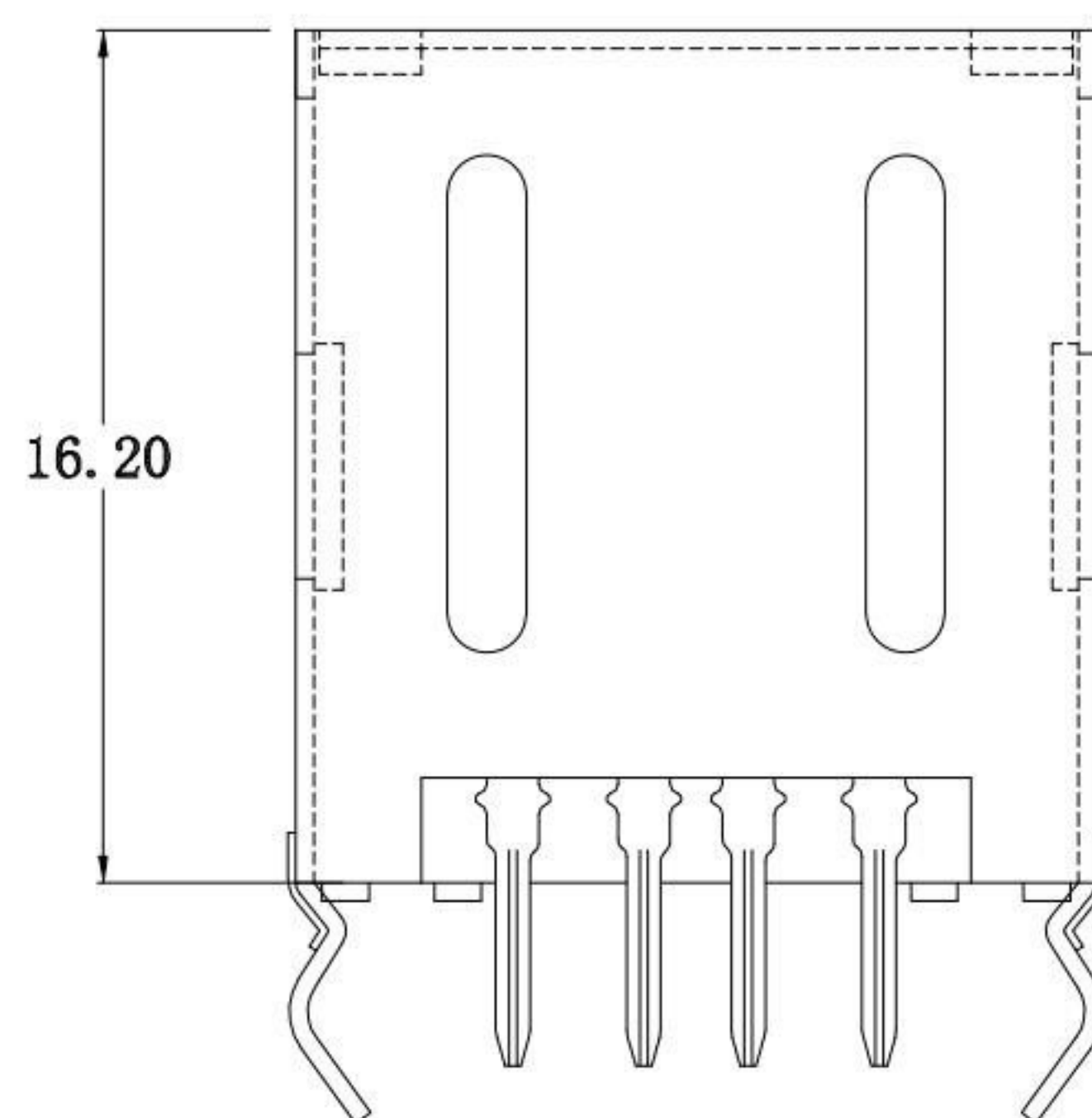
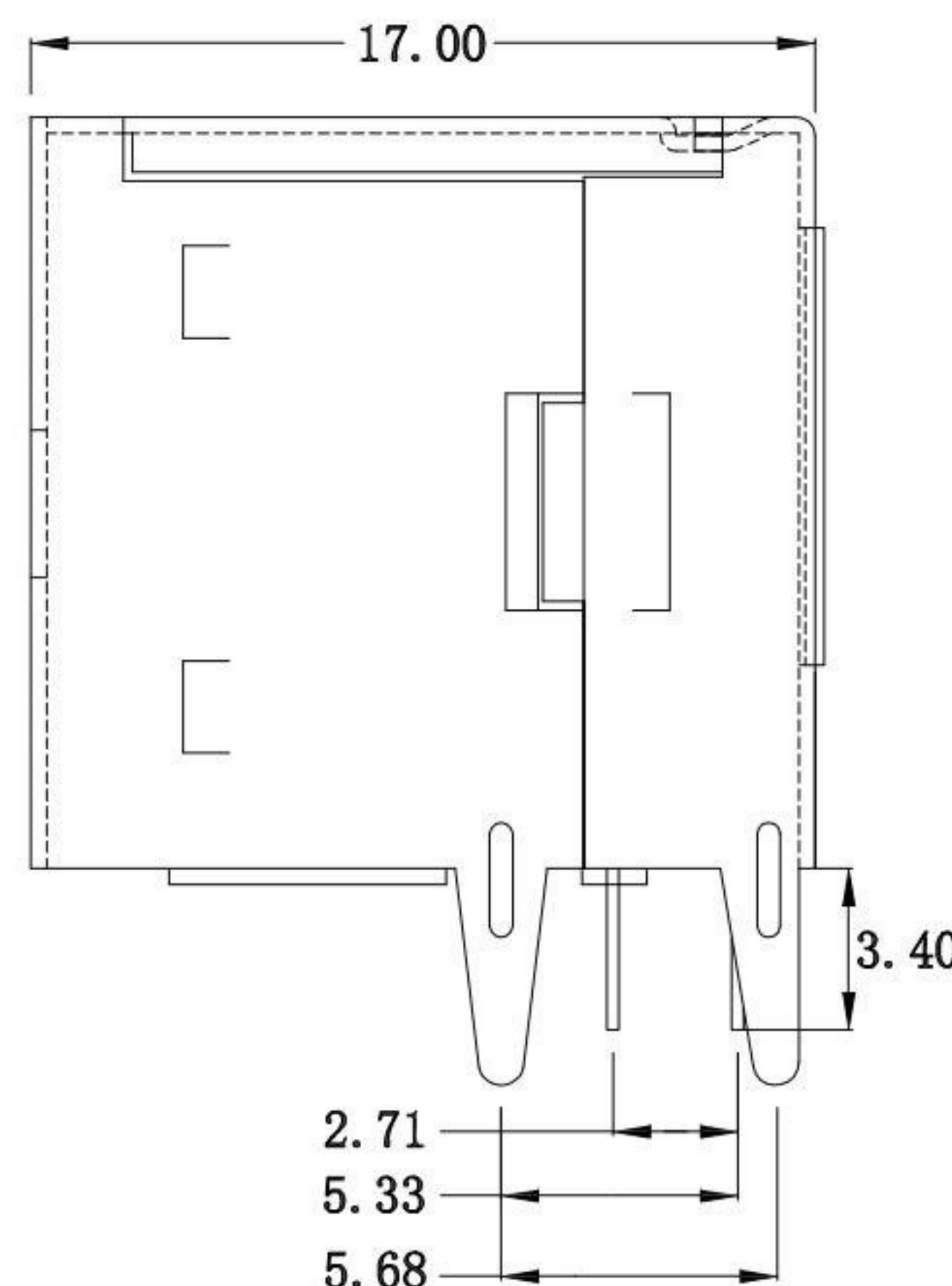
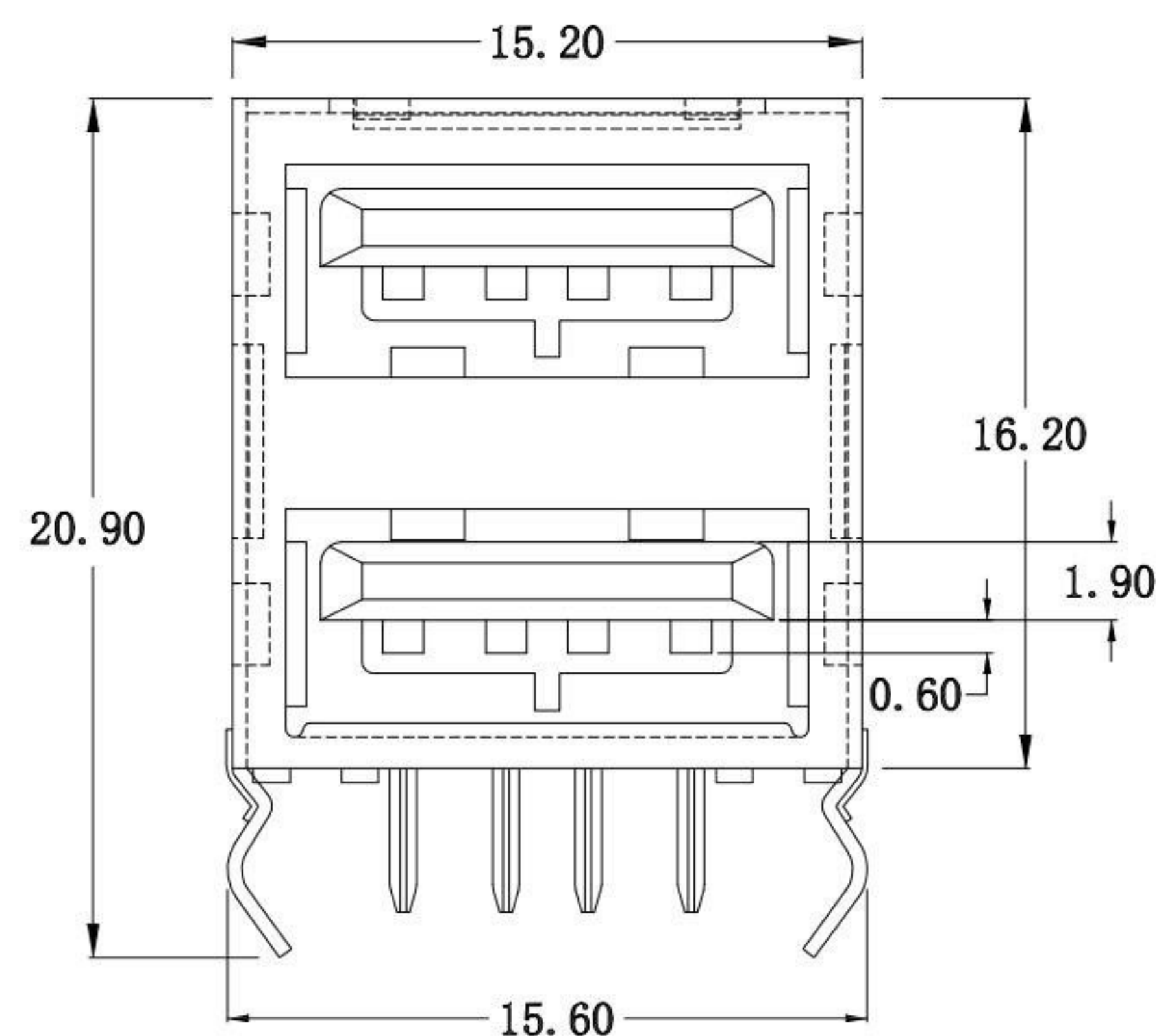




# SUA-210H-x-S175

Color
White : W
Black : B



P.C.B LAYOUT MOUNTING PATTERN

NOTE:

1.MATERIAL:

- a.HOUSING:PBT GLASS FIBRE UL94 V-0 ;
- b.CONTACT: PHOSPHOR BRONZE ;  
(SURFACE PLATING: Au + Sn + Ni )
- c.SHEEL: SPCC ;  
(SURFACE PLATING: Cu / Ni)

2.ELECTRIC:

- a.CONTACT RESISTANCE: 30 MILLIOHMS MAX
- b.INSULATION RESISTANCE: 1,000 MEGA OHMS MIN
- c.DIELECTNIC VOLTAGE: 500V AC ONE MIN LEVEL
- d.OPERATING TEMPERATURE: -55°C~ 85°C

**KSD** 科斯达电子科技有限公司  
 SWITCH CONNECTOR KSD ELECTRONIC TECHNOLOGY Co., LTD  
 全球 互联零组件制造企业

TOLERANCE UNLESS OTHERWISE STATED :	Up to 5 ±0.2	3RD. ANGEL'S	UNITS	MM
	Above 5 ~ 15 ±0.3			
	Above 15 ~ 30 ±0.4			
	Above 30 ~ 50 ±0.5			
	Angle ±0.3°			

DRAWN BY:	DATE	MAT'L	TITLE	CONNECTOR
Jack Lu	10/11/12			
CHECKED BY:	DATE	FINISH	MODLE	USB AF 雙層全包
Jacky Chen	10/11/12			
APPROVED BY:	DATE	SCALE	DWG NO.	SUA-210H-x-S175
Tony Kao	10/11/12	1 : 1		
		SHEET NO.	PART NO.	SUA-210H-x-S175
		1 of 1		

ITEM NO.	DESCRIPTION	DRAWN	DATE