



SUA-210HSx-xx-S236

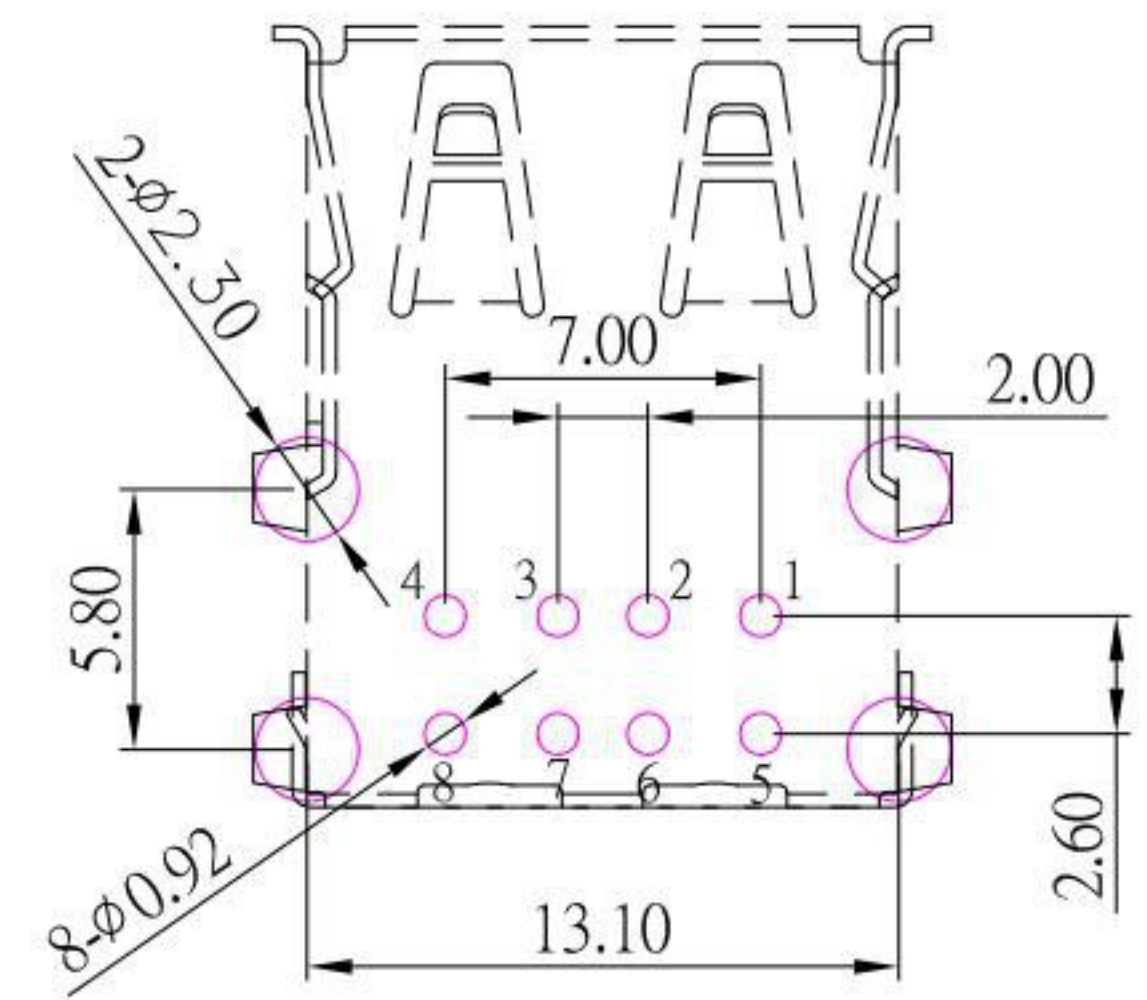
外殼材質: _____ Housing Color: _____

Blank: BRASS
I: SPCC

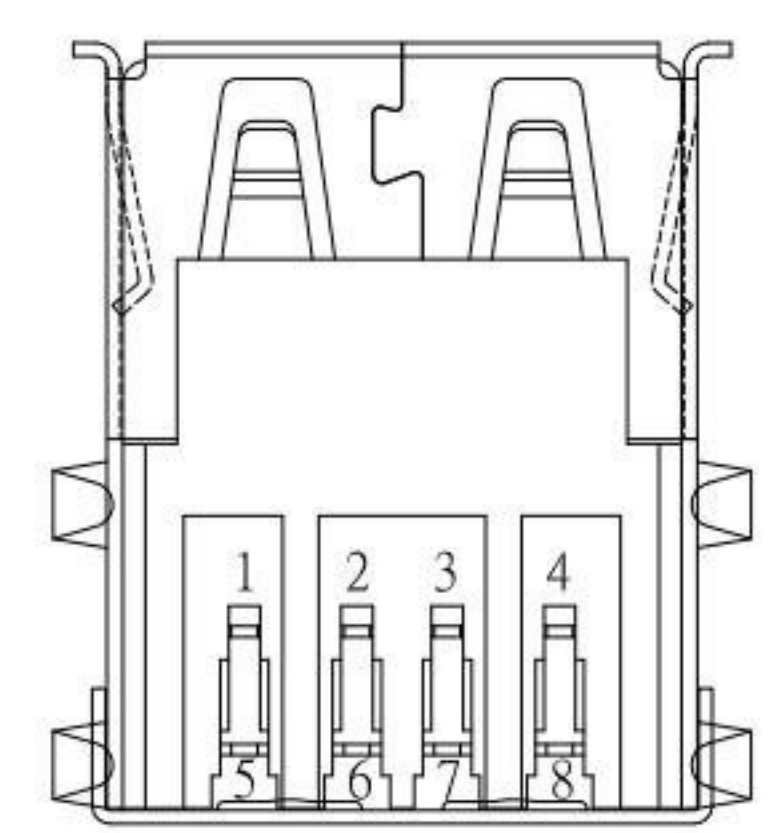
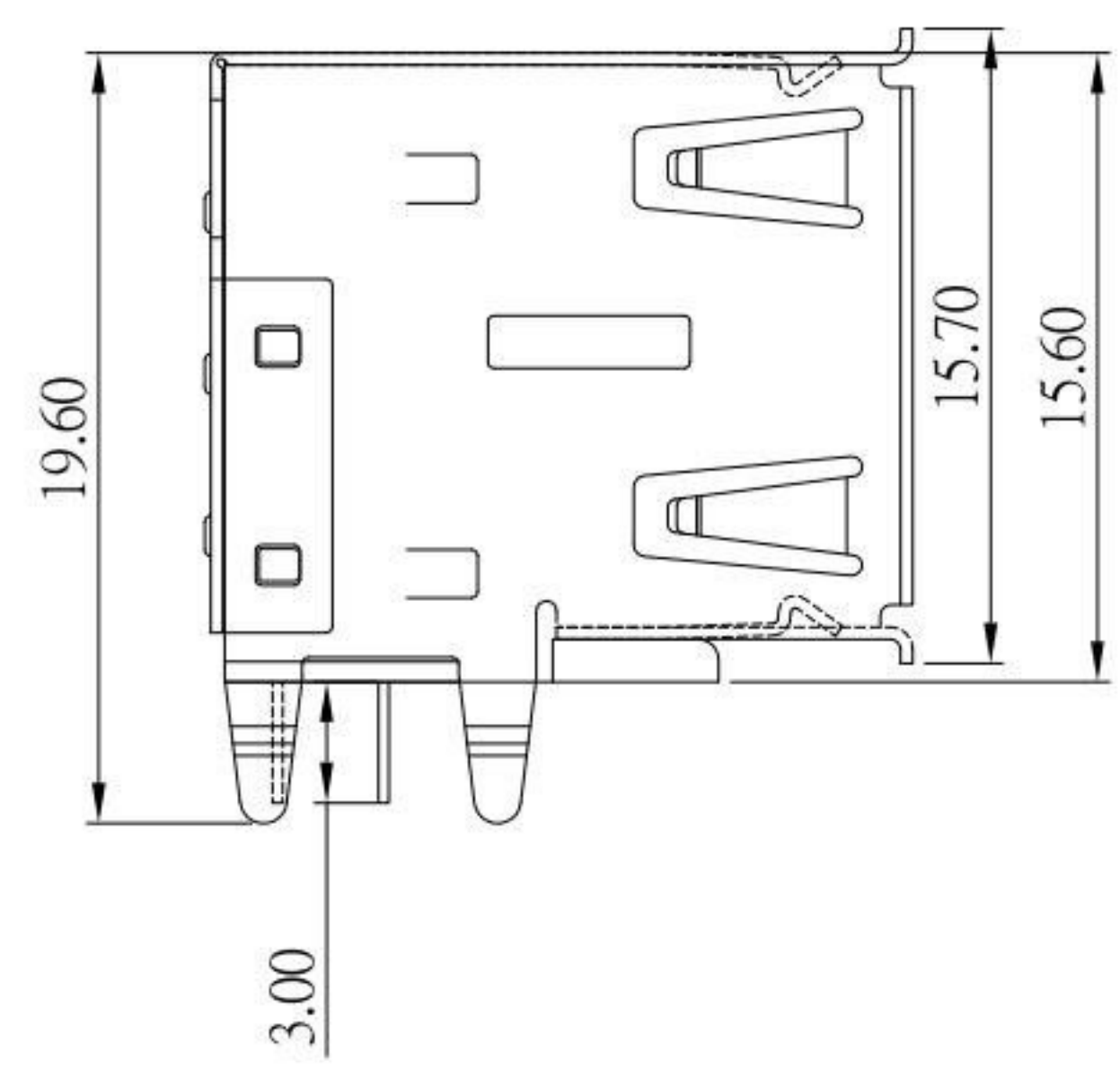
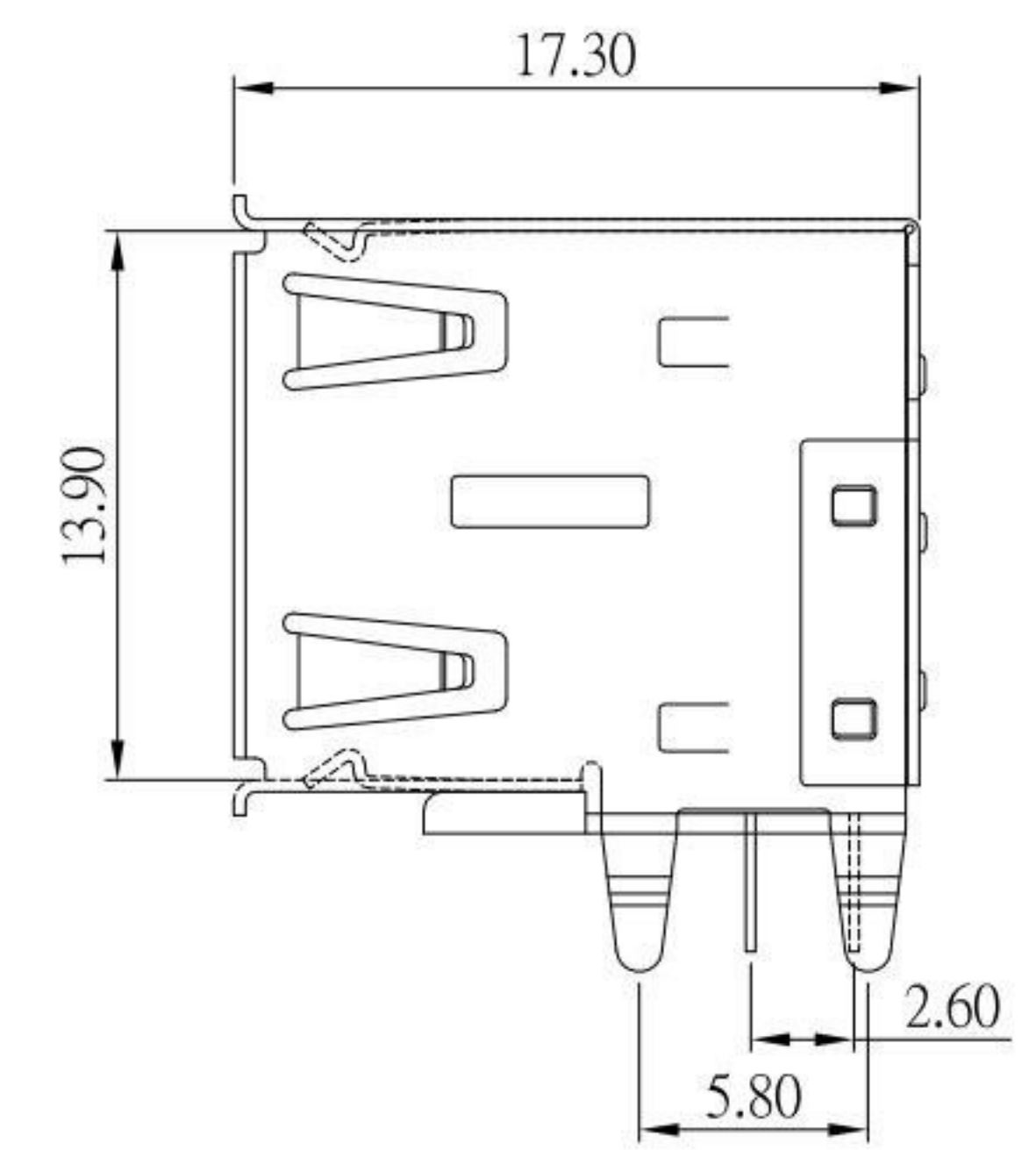
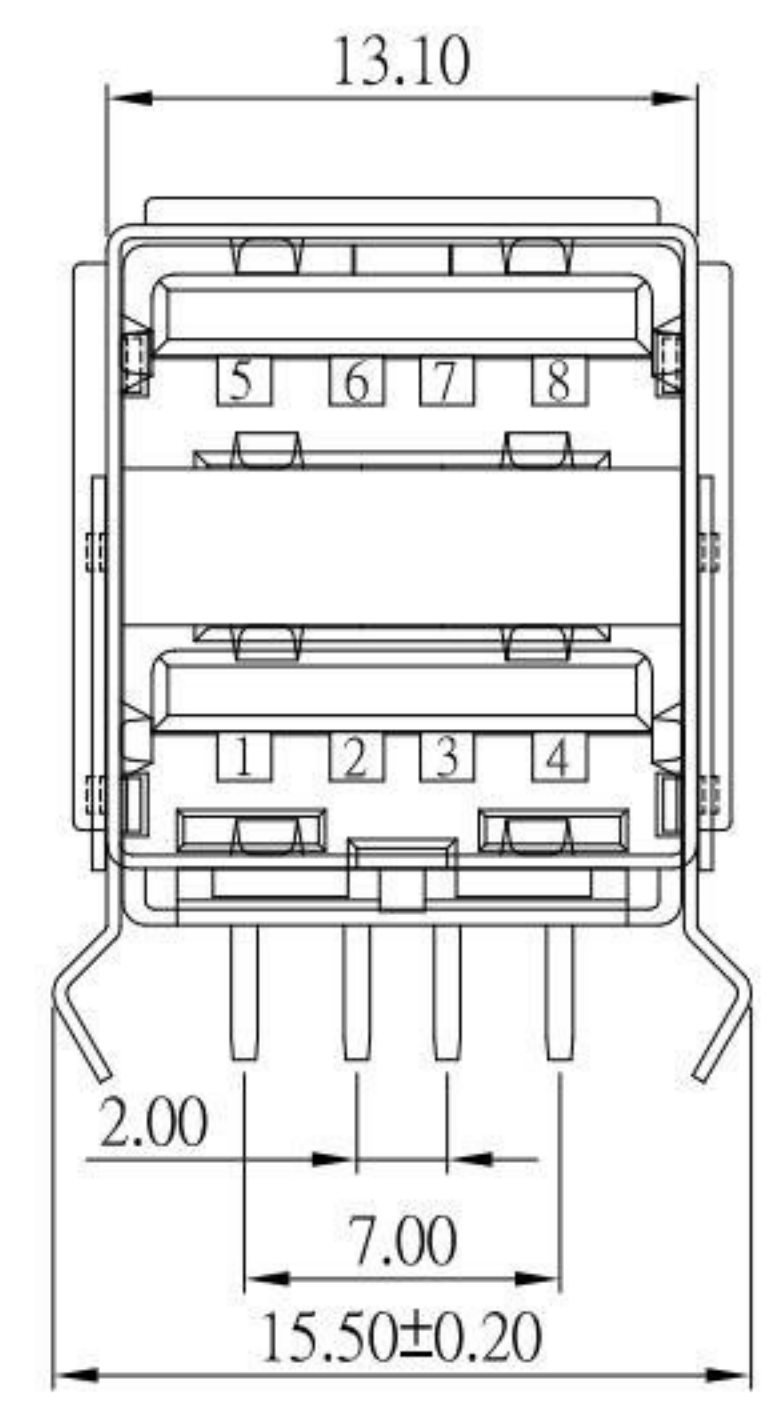
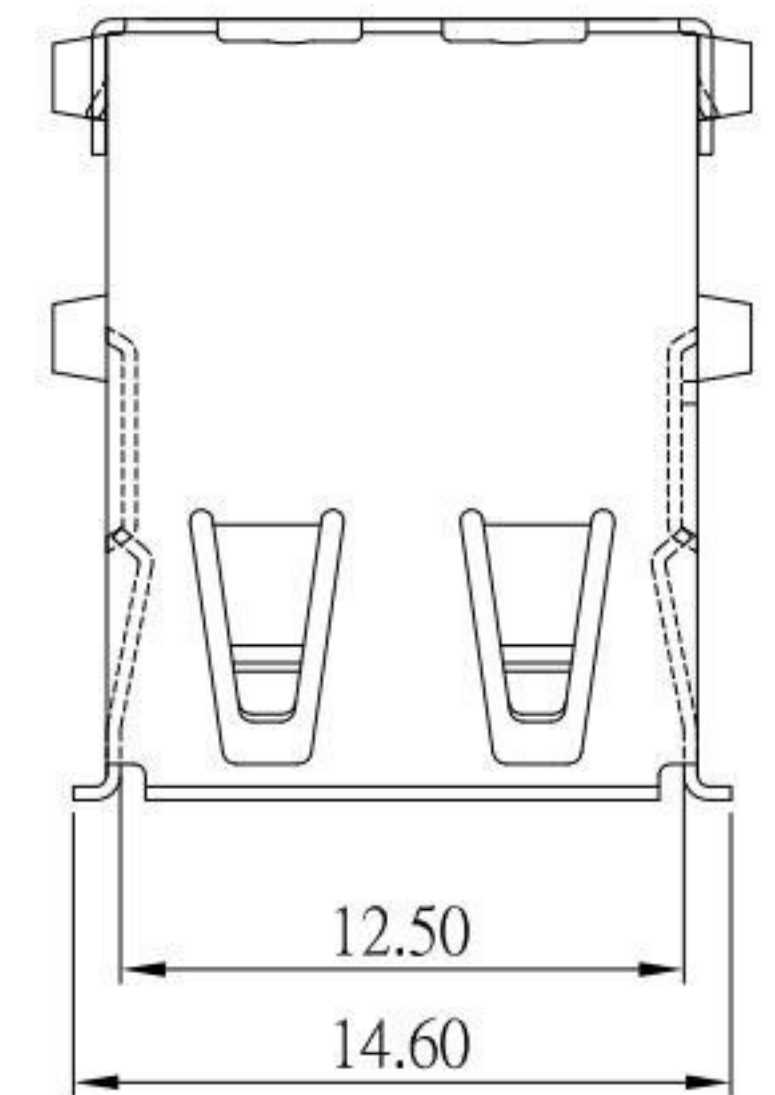
Black: B
White: W

鍍層厚度:

Blank: 1u"
2: 15u"
3: 30u"



PCB LAYOUT



SPECIFICATIONS

Electrical:

- Contact Resistance: 30 mΩ Max
- Insulation Resistance: 1,000 MΩ Min
- Dielectric Withstanding Voltage: 500V AC

Material:

- Housing: PBT
- Contact: Brass
- Shell: Brass / Spcc

Finish:

- Contact: Plated Gold in Mating Area ;
Tin Plated on Solder Balls ;
Nickel under plated overall
- Shell: Nickel under Plated surface layer

KSD 科斯达电子科技有限公司
SWITCH CONNECTOR KSD ELECTRONIC TECHNOLOGY Co., LTD
全球 互联零组件制造企业

TOLERANCE UNLESS OTHERWISE STATED:	Up to 5 ±0.2	3RD. ANGEL'S	UNITS	MM
	Above 5 ~ 15 ±0.3			
	Above 15 ~ 30 ±0.4			
	Above 30 ~ 50 ±0.5			
	Angle ±0.3°			

DRAWN BY:	DATE
Jack Lu	05/11/22
CHECKED BY:	DATE
Jacky Chen	05/11/22
APPROVED BY:	DATE
Tony Kao	05/11/22

MAT'L	TITLE	CONNECTOR
FINISH	MODLE	USB A/F 雙層半包外殼平彈
SCALE	DWG NO.	SUA-210HSx-xx-S236
SHEET NO.	PART NO.	SUA-210HSx-xx-S236
	SIZE	A4
	VER	R3

ITEM NO.	DESCRIPTION	DRAWN	DATE
3	更新Contact材質	Jack	051122
2	新增鍍層厚度選項	Jack	041520
1	新增PIN編號	Jack	051619