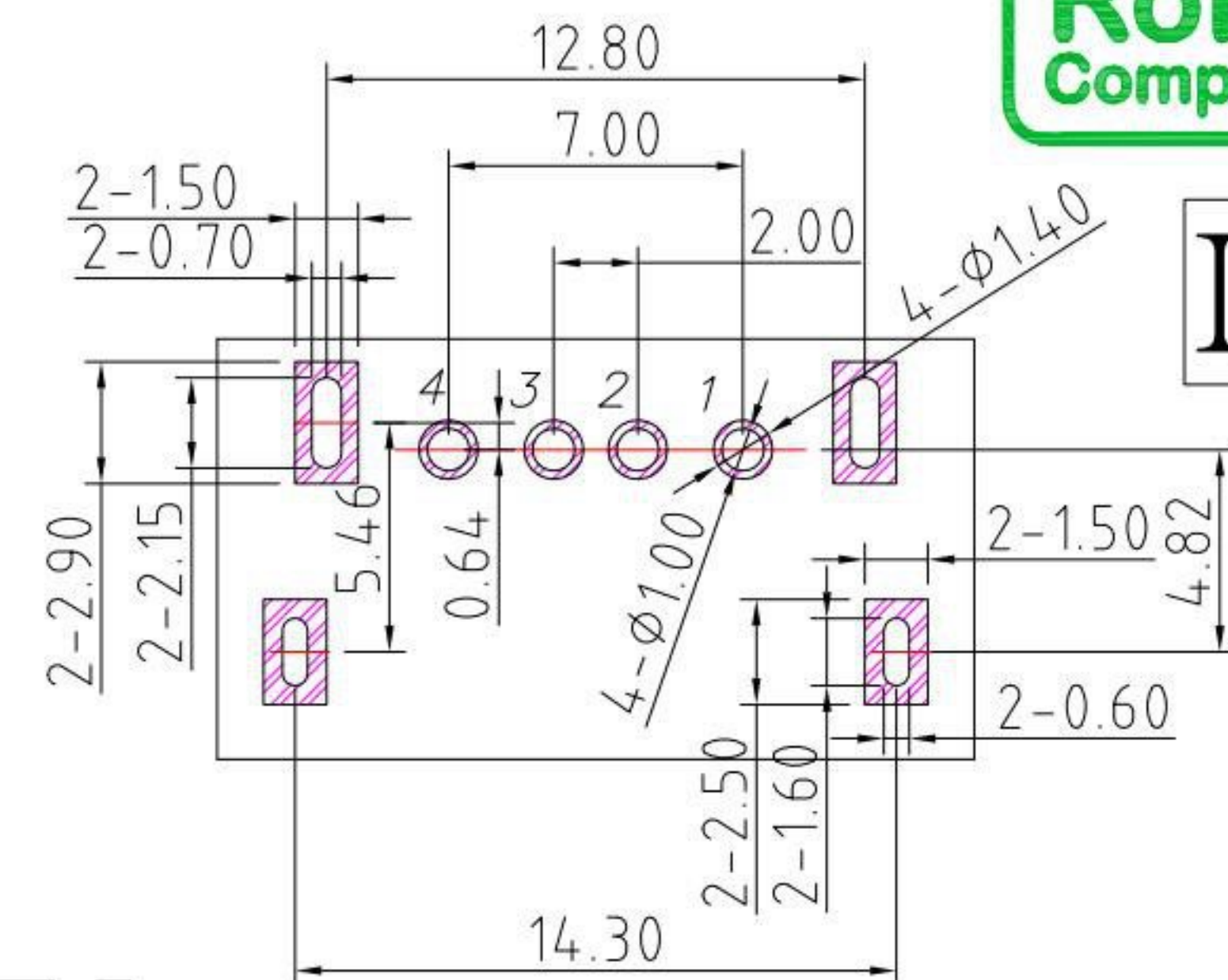




SUA-WP110H53-x-S165

Insulation Housin Color :

- Black: B
- White : W



IPX8

PCB LAYOUT

PIN ASSIGNMENT

PIN NO.	1	2	3	4
SINGAL NAME	VBUS	D-	D+	GND

SPECIFICATIONS

Electrical:

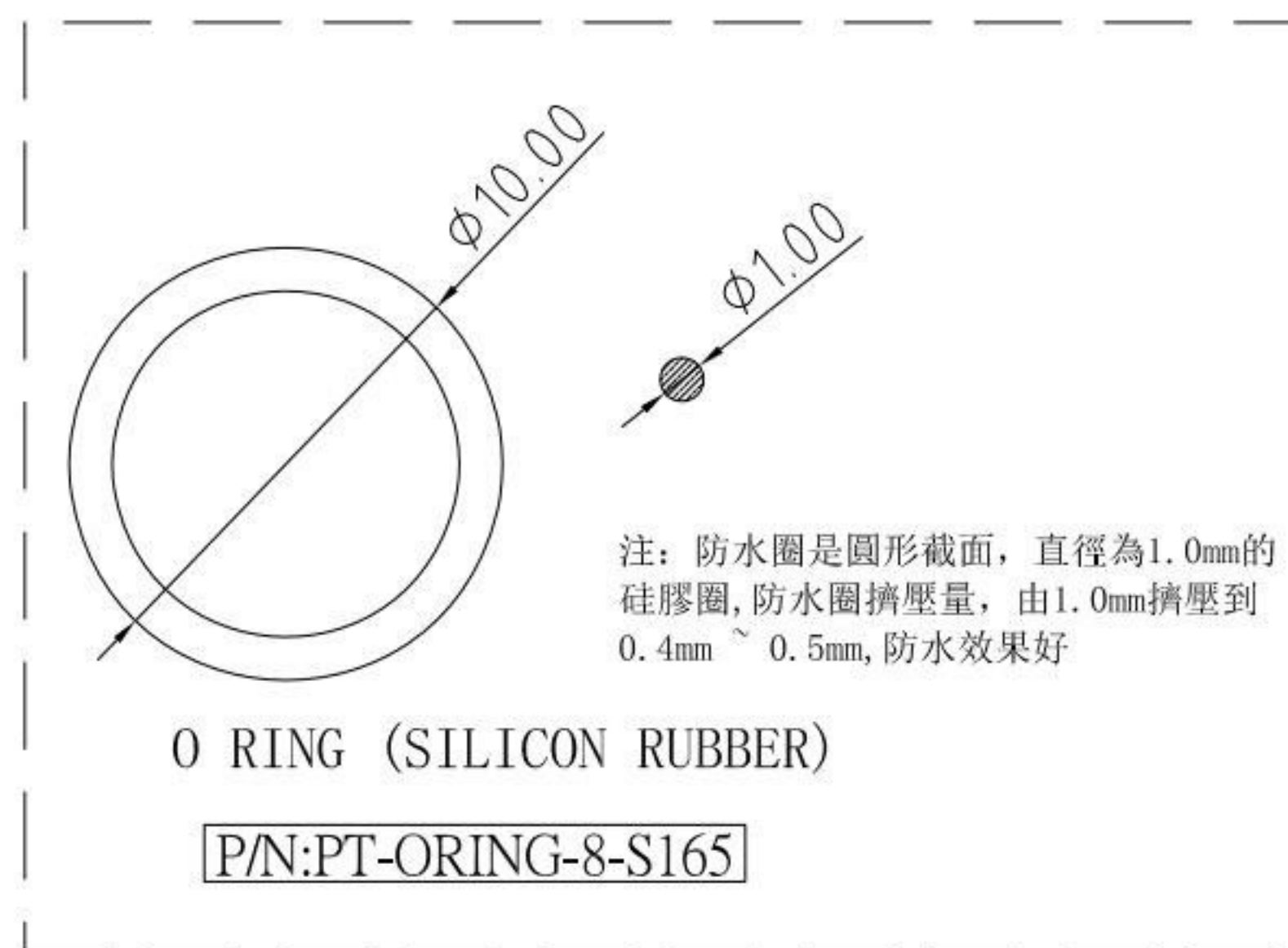
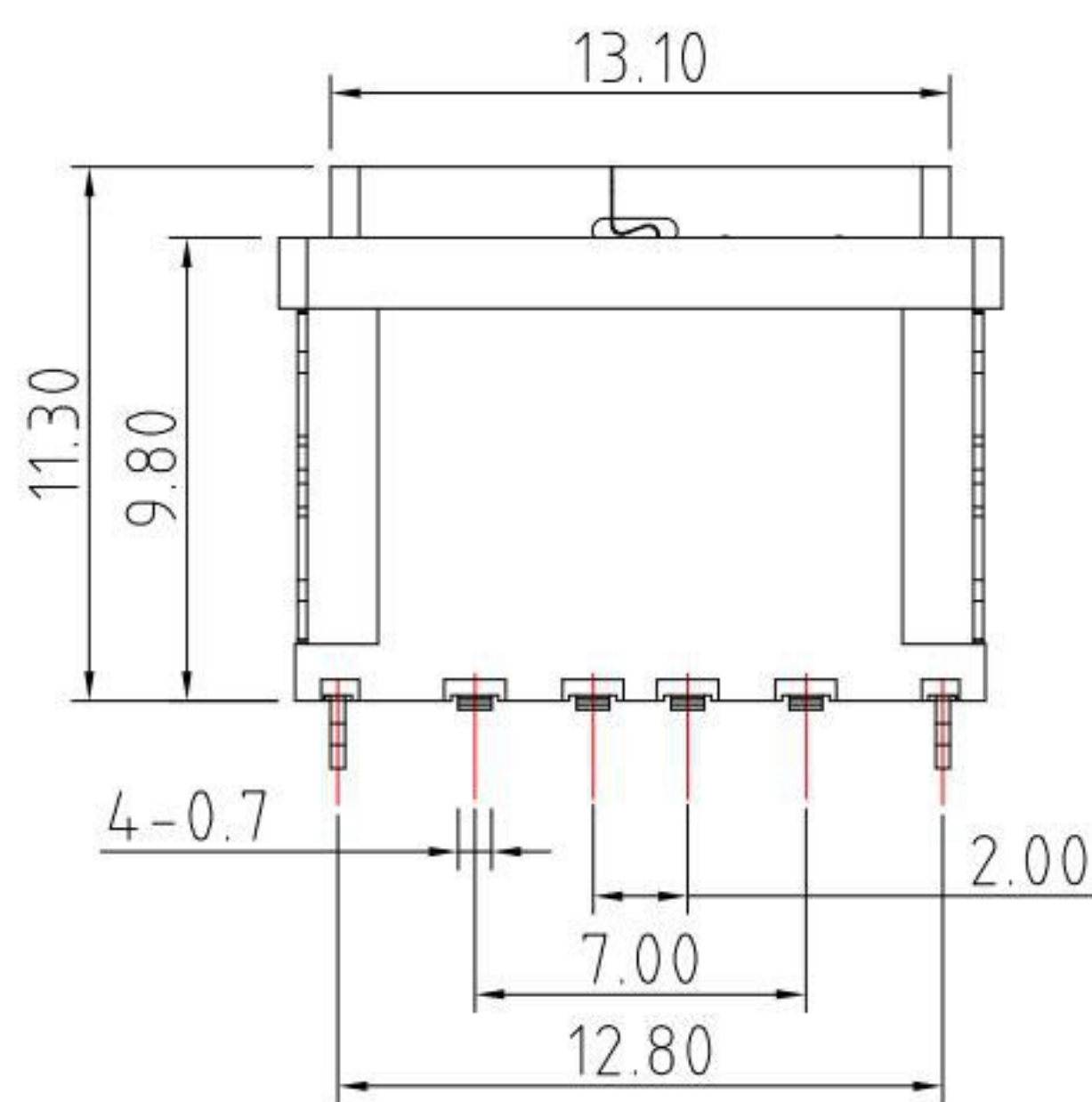
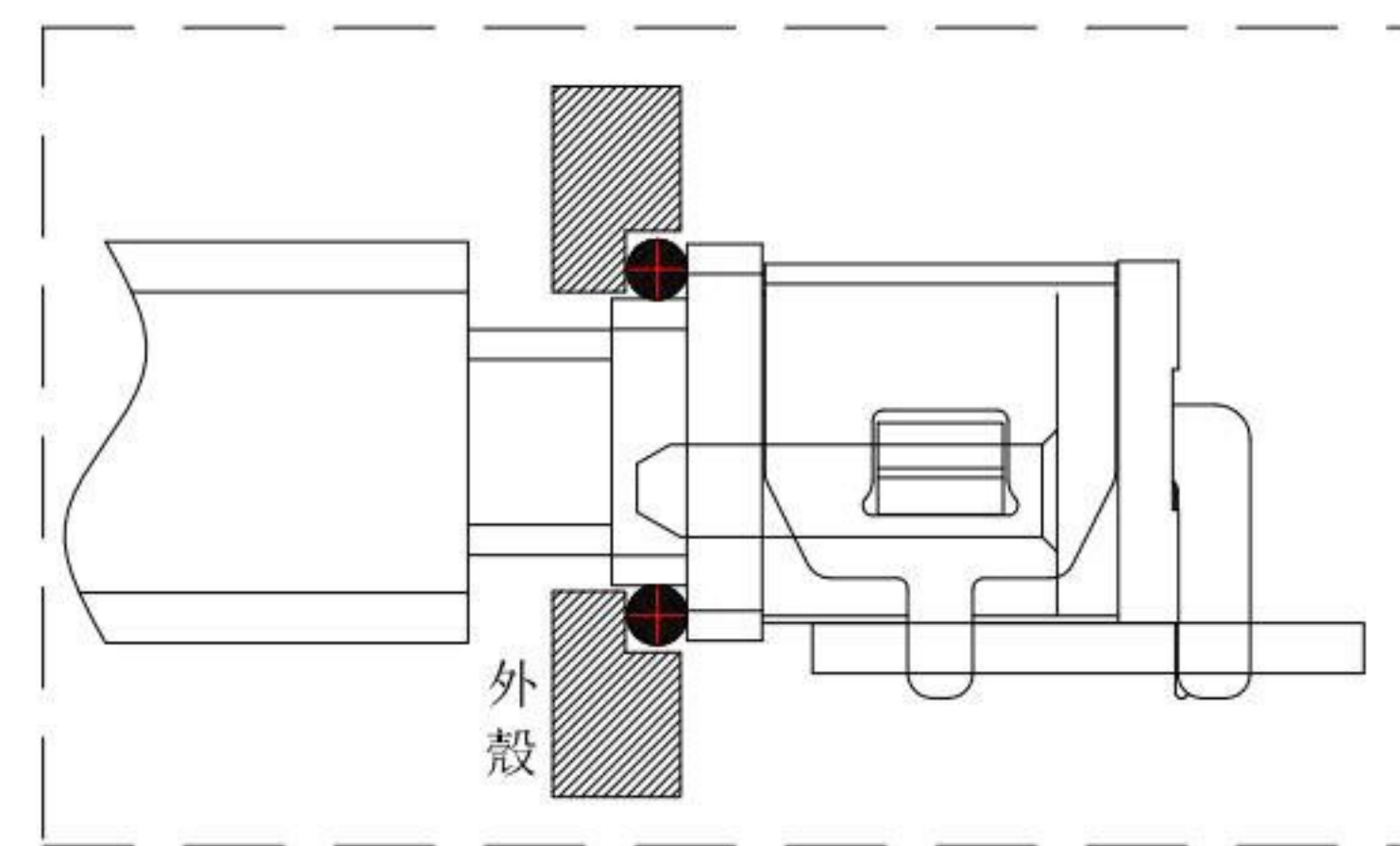
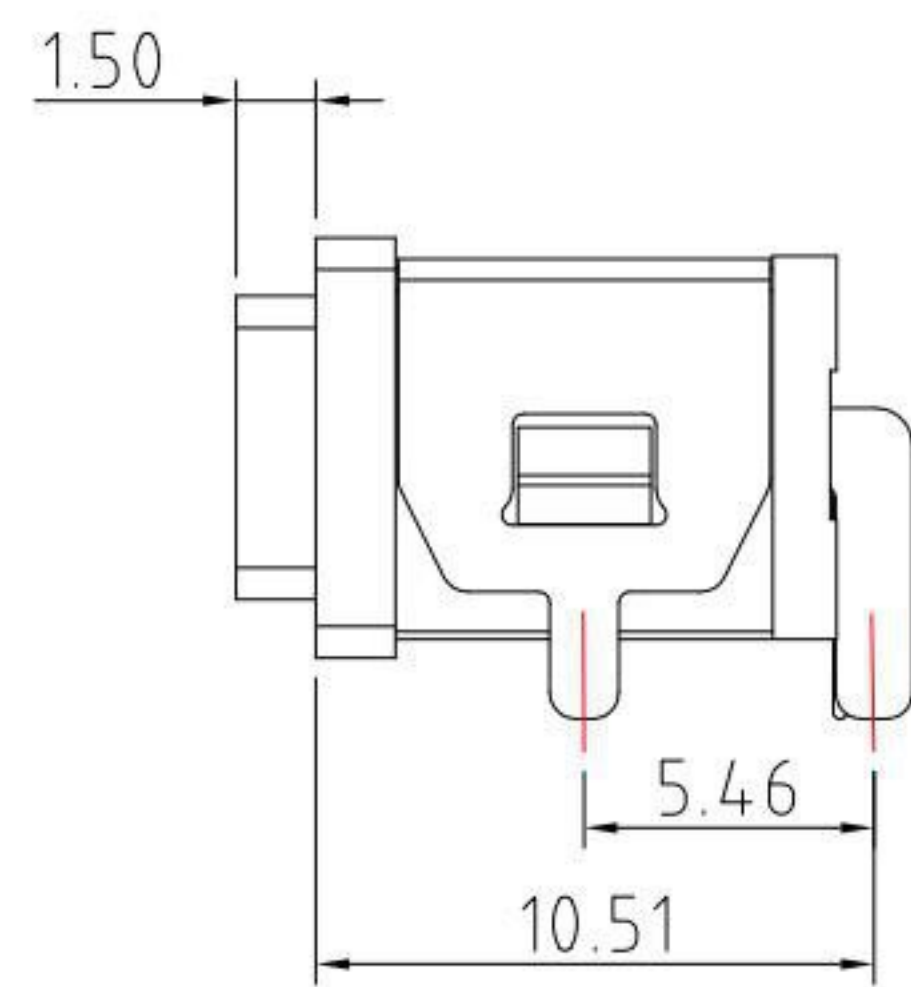
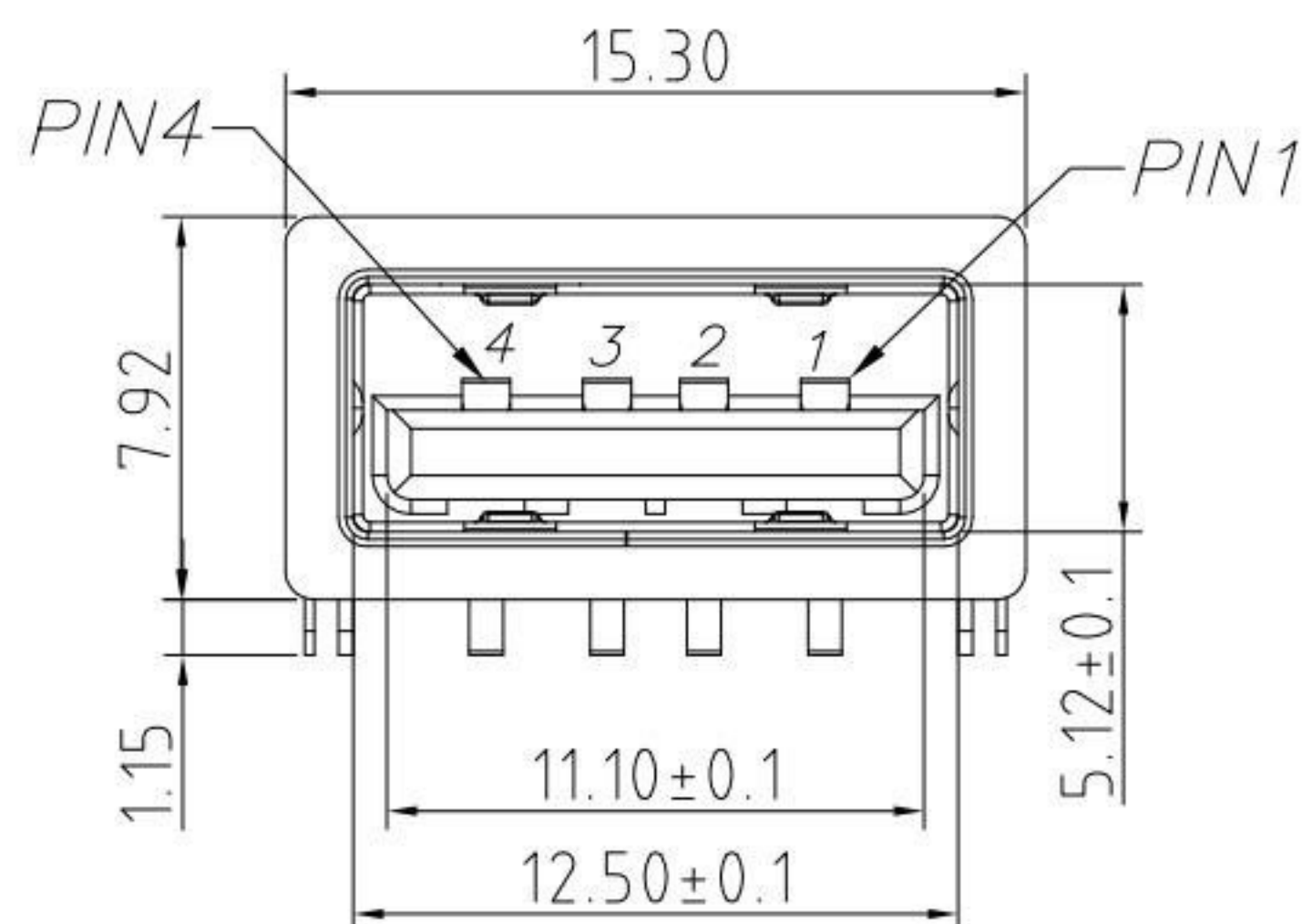
- 1.Rating: 3.0A
- 1.Contact Resistance: 40 mΩ Max
- 2.Insulation Resistance: 100 MΩ Min
- 3.Dielectric Withstanding Voltage: 100V AC

Material:

- 1.Insulation Housing: PA10T
- 2.Contact: Brass
- 3.Shell: SUS

Finish:

- 1.Contact: Plated Gold in Mating Area ;
Gold Plated on Solder Balls
Nickel under plated overall



KSD 科斯达电子科技有限公司
SWITCH CONNECTOR 全球 互联零组件制造企业
KSD ELECTRONIC TECHNOLOGY Co., LTD

TOLERANCE UNLESS OTHERWISE STATED :	Up to 5 ±0.2	Above 5 ~ 30 ±0.3	Above 30 ~ 50 ±0.4	Above 50 ±0.5	Angle ±0.3°
3RD. ANGEL'S	UNITS	MM			

DRAWN BY:	DATE	MAT'L	TITLE	CONNECTOR
Jack Lu	07/31/20		MODLE	USB 2.0 AF RA WATERPROOF
CHECKED BY:	DATE	FINISH	SCALE	1 : 1
Jacky Chen	07/31/20		DWG NO.	SUA-WP110H53-x-S165
APPROVED BY:	DATE	SHEET NO.	PART NO.	SUA-WP110H53-x-S165
Tony Kao	07/31/20	1 of 1	SIZE	A4
			VER	R1

1	新增PCB LAYOUT尺寸	Jack	073120
ITEM NO.	DESCRIPTION	DRAWN	DATE