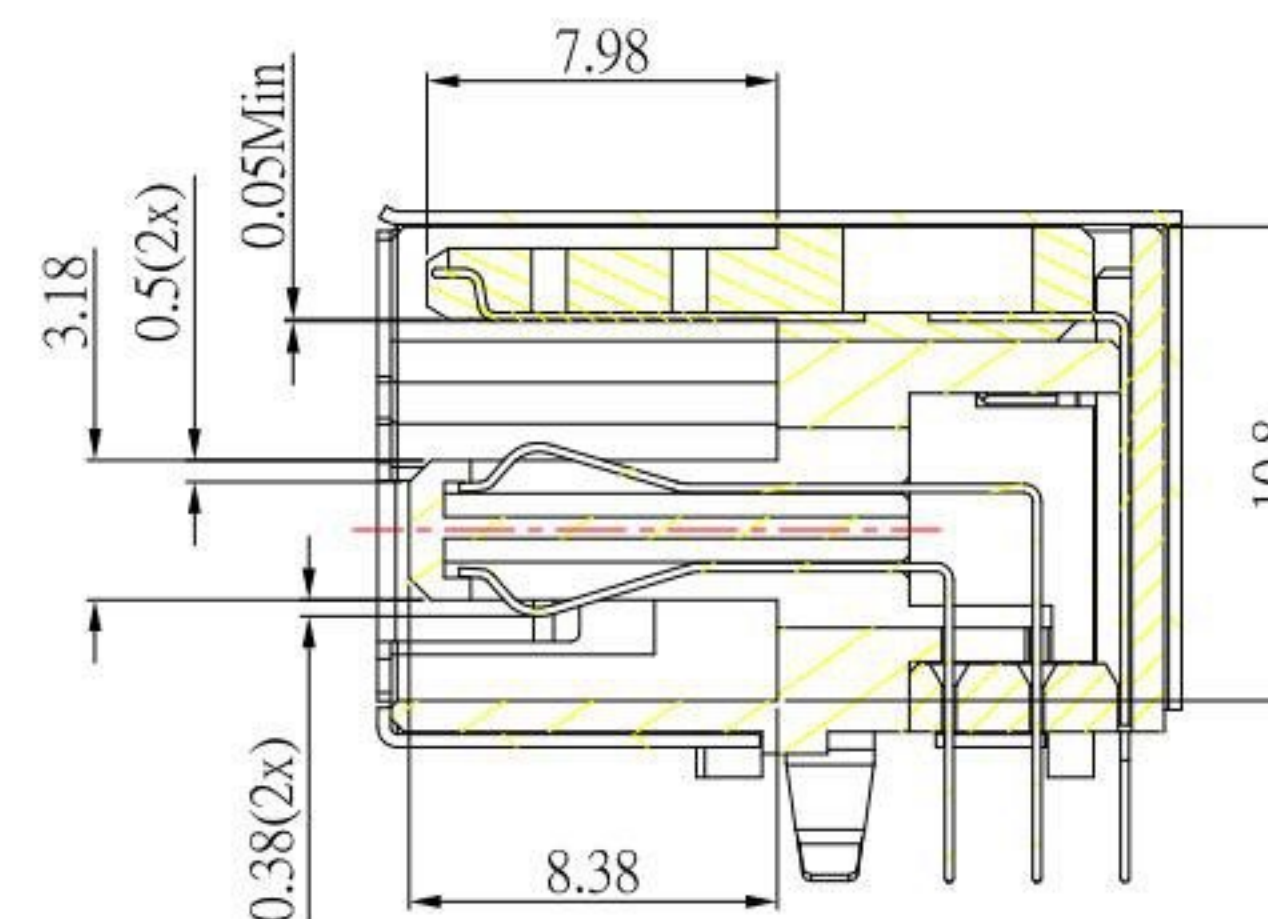
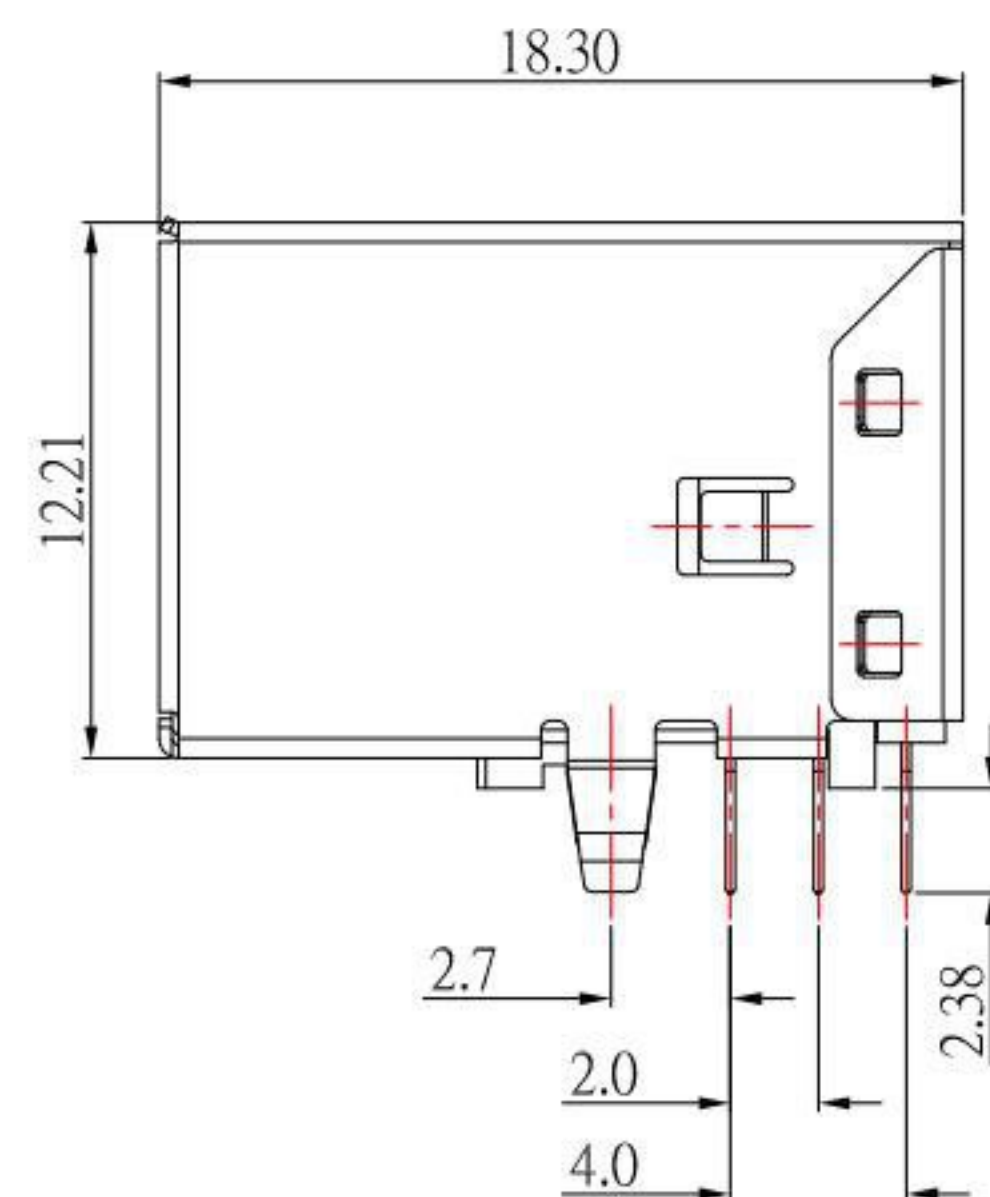
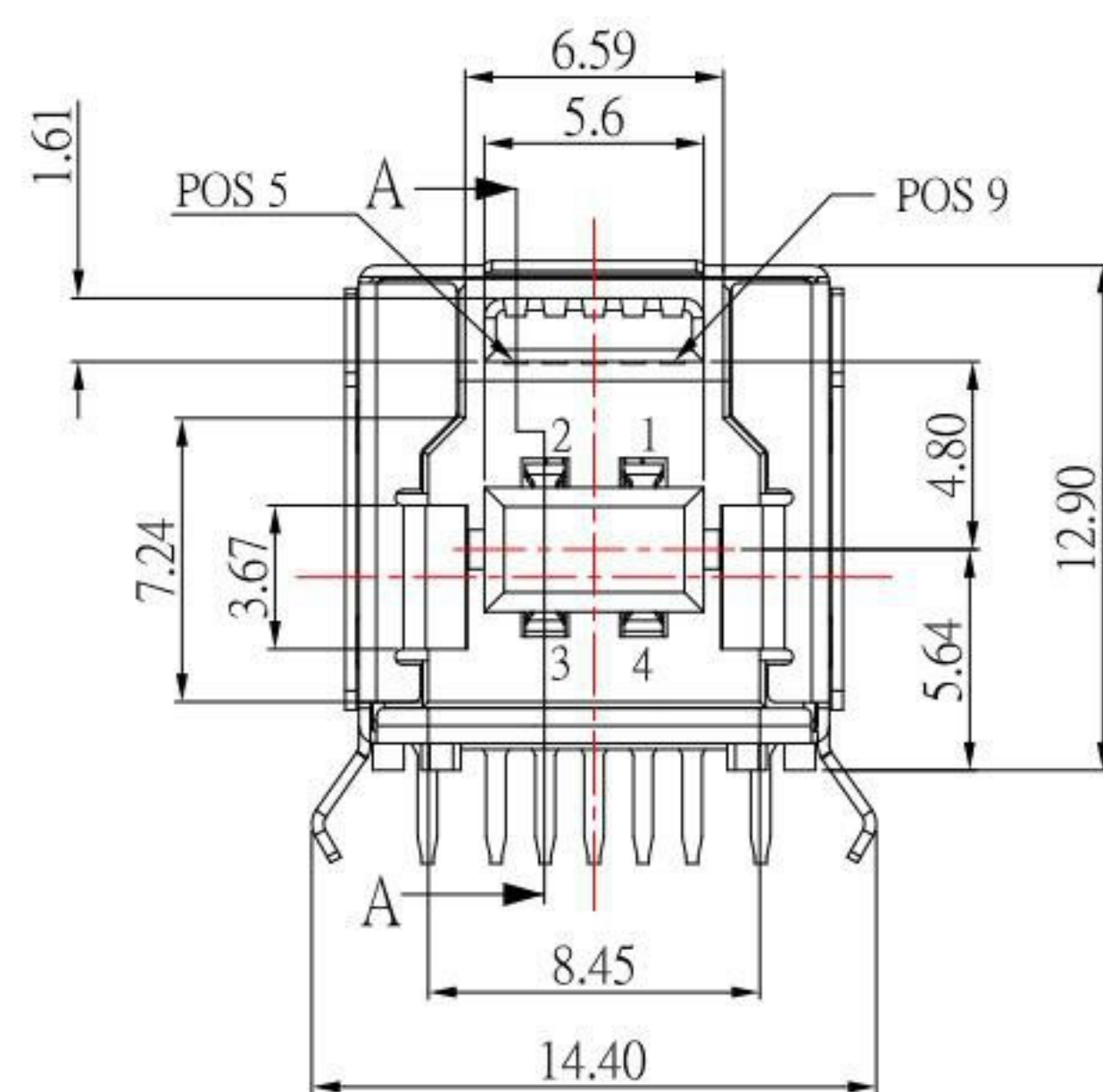




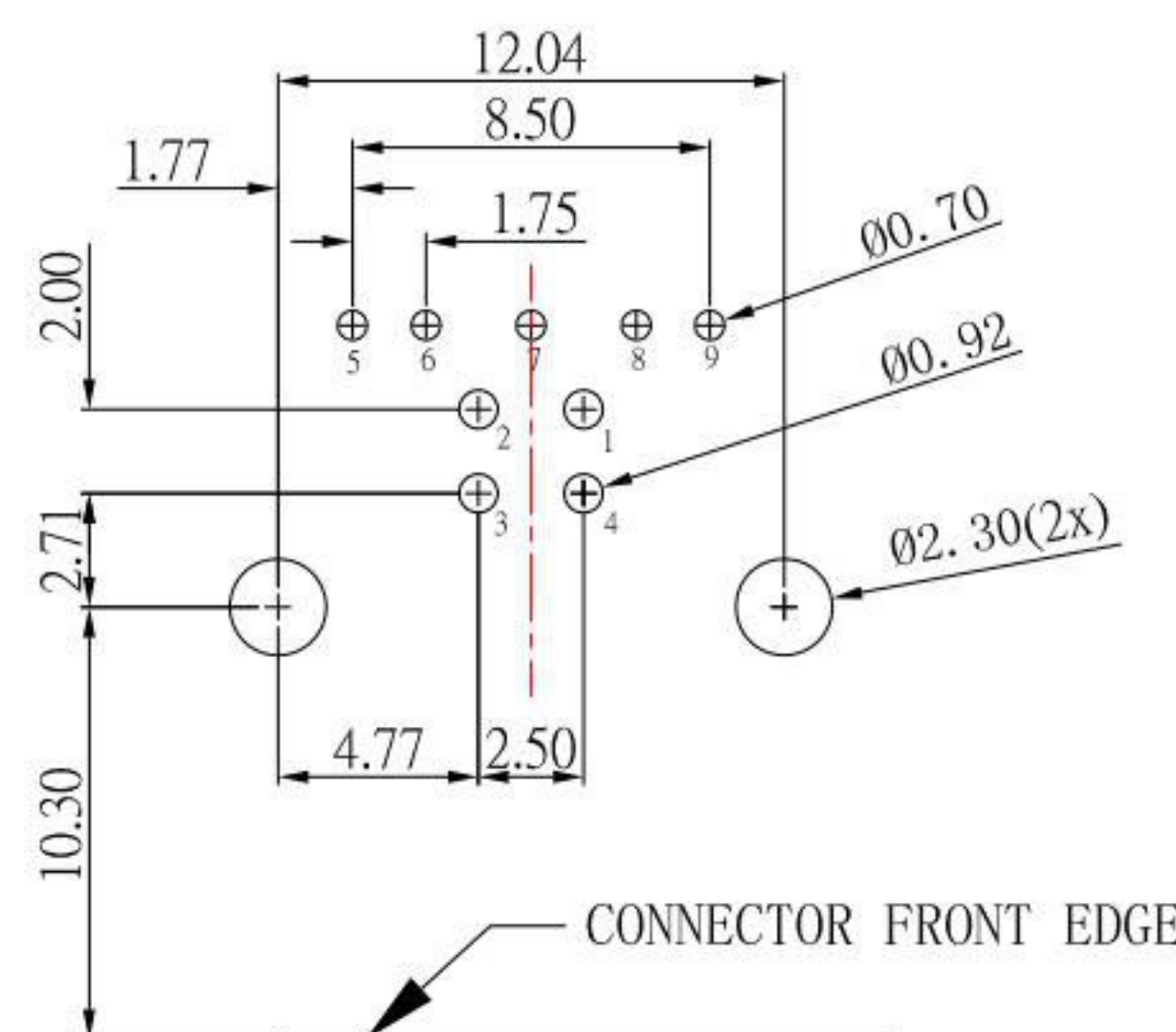
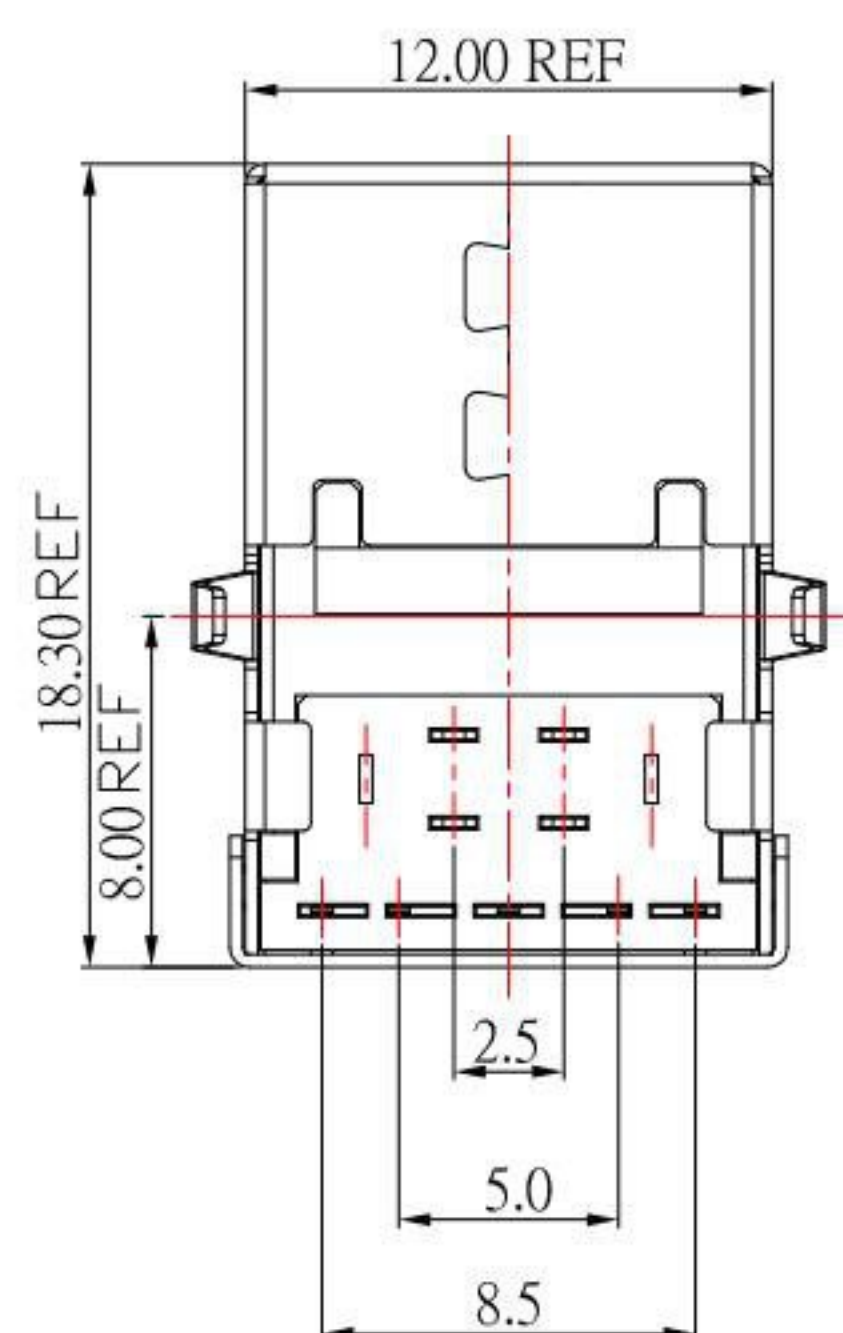
SUB-110H-30x-S277

鍍層厚度:

Blank : 1u"
2 : 15u"
3 : 30u"



Pin NUMBER	SIGNAL NAME
1	VBUS
2	D-
3	D+
4	GND
5	StdB_SSTX-
6	StdB_SSTX+
7	GND_DRAIN
8	StdB_SSRX-
9	StdB_SSRX+
Shell	Shield



RECOMMENDED PCB LAYOUT

NOTE:

1.MATERIAL:

- 1.1 Housing: LCP,(UL94V-0)
- 1.2 Contact: 1-4 Pin: PHOSPHOR BRONZE
5-9 Pin: BRASS
- 1.3 Shell: BRASS

2.Finish:

- 2.1 Contact: Plated Gold in Mating Area ;
Tin Plated on Solder Balls ;
Nickel under plated overall
- 2.2 Shell: Nickel under Plated surface layer

3.SPECIFICATION:

- 3.1 Current Rate:1.5 A
- 3.2 insulator Resistance:1000MΩ Min
- 3.3 Dielectric Strength: 500V AC
- 3.4 Contact Resistance: 30mΩ Max
- 3.5 Operation Temperature: 0°C ~ +50°C
- 3.6 Insertion Force: 3.57 Kg Max
- 3.7 Extraction Force: 1.02 Kg Min

KSD 科斯达电子科技有限公司
SWITCH CONNECTOR 全球 互联零组件制造企业
KSD ELECTRONIC TECHNOLOGY Co., LTD

TOLERANCE UNLESS OTHERWISE STATED:	Up to 5 ±0.2	3RD. ANGEL'S	UNITS	MM
	Above 5 ~ 15 ±0.3			
	Above 15 ~ 30 ±0.4			
	Above 30 ~ 50 ±0.5			
	Angle ±0.3°			

DRAWN BY:	DATE	MAT'L	TITLE	CONNECTOR
Jack Lu	07/02/15			
CHECKED BY:	DATE	FINISH	MODLE	USB CONNECTOR
Jacky Chen	07/02/15			
APPROVED BY:	DATE	SCALE	DWG NO.	SUB-110H-30x-S277
Tony Kao	07/02/15	1 : 1		
		SHEET NO.	PART NO.	SUB-110H-30x-S277
		1 of 1		

1	更新SPEC及材質	Jack	070215
ITEM NO.	DESCRIPTION	DRAWN	DATE