



SUB-110V_{x-x-x}-S236

Shell :

Blank : BRASS

I : SPCC

COLOR :

Black: B

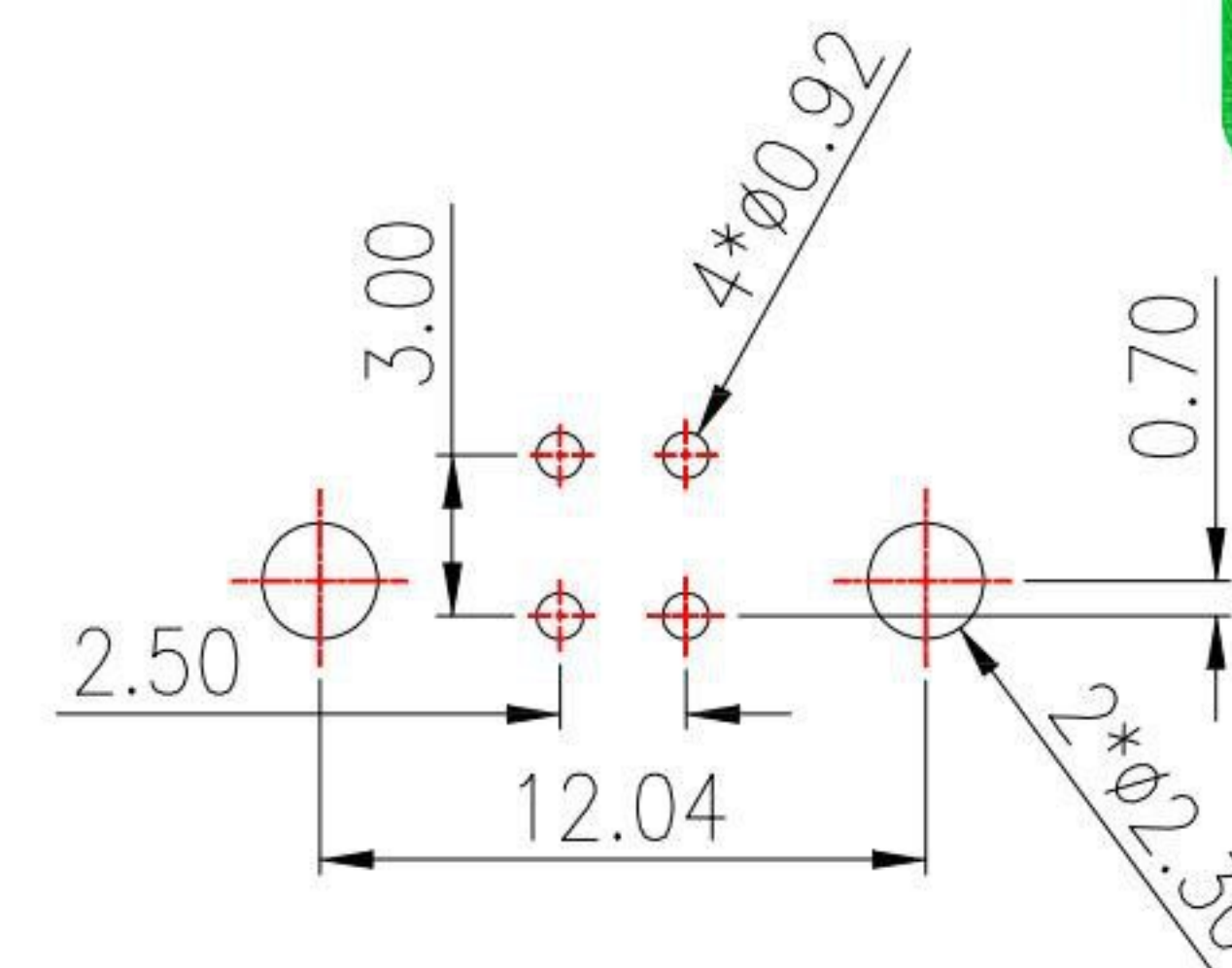
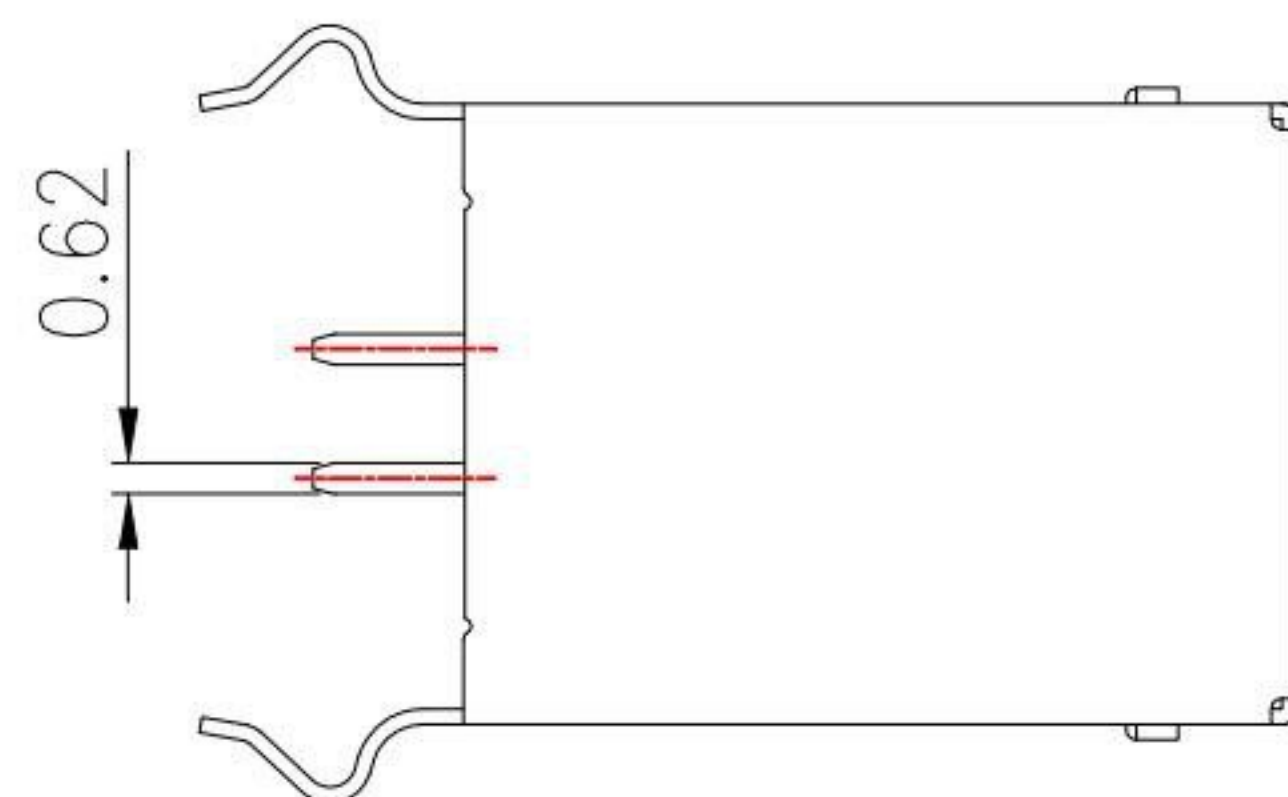
White : W

鍍層厚度 :

Blank : 1u"

2 : 15u"

3 : 30u"



P.C.B LAYOUT MOUNTING PATTERN

SPECIFICATIONS

Electrical:

- 1.Current Rating: 1.5A
- 2.Voltage Rating: 30V
- 3.Contact Resistance: 30 mΩ Max
- 4.Dielectric Withstanding Voltage: 500 V AC
- 5.Insulation Resistance: 1,000 MΩ Min

Mechanical:

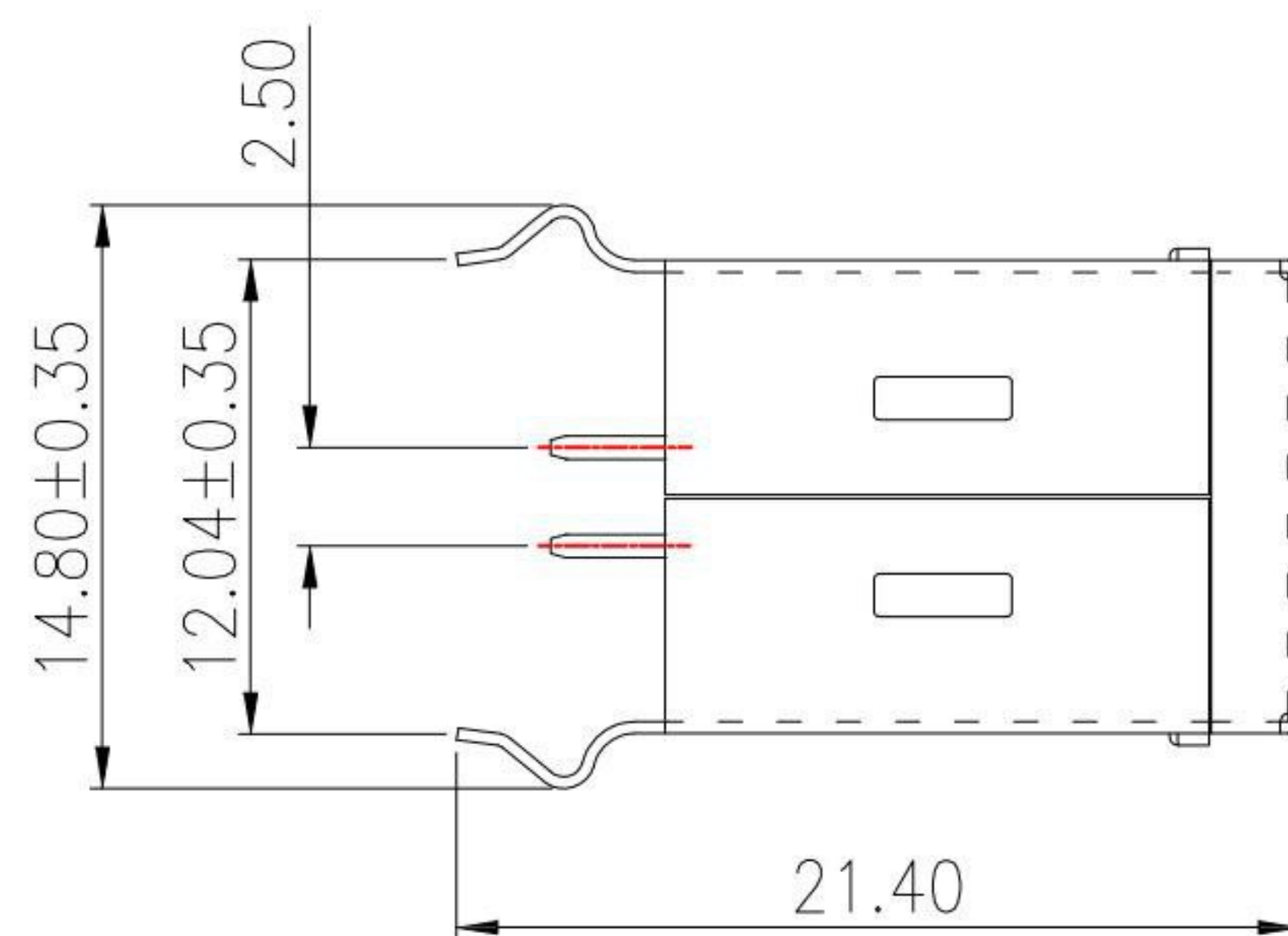
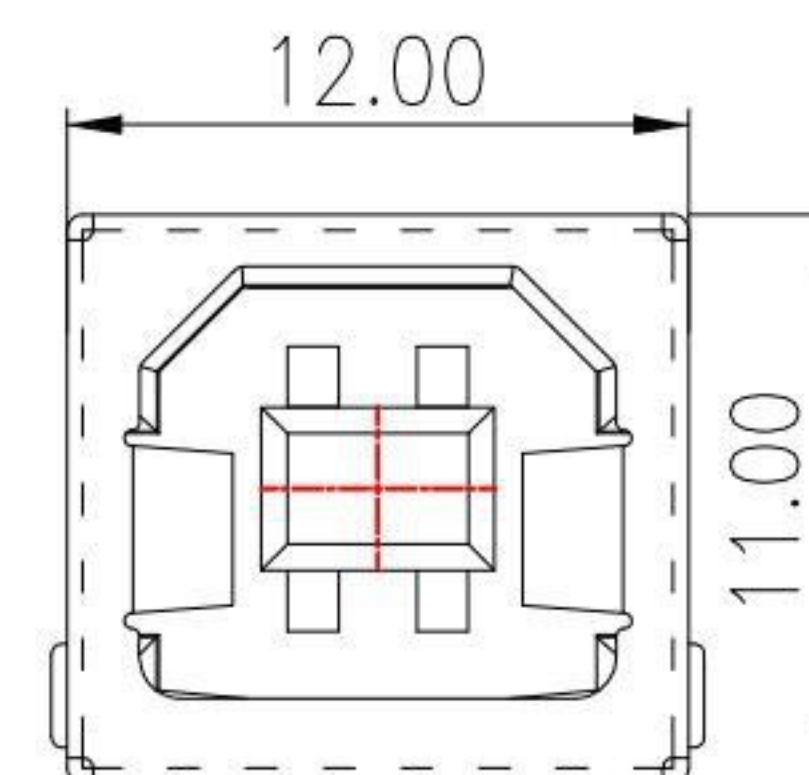
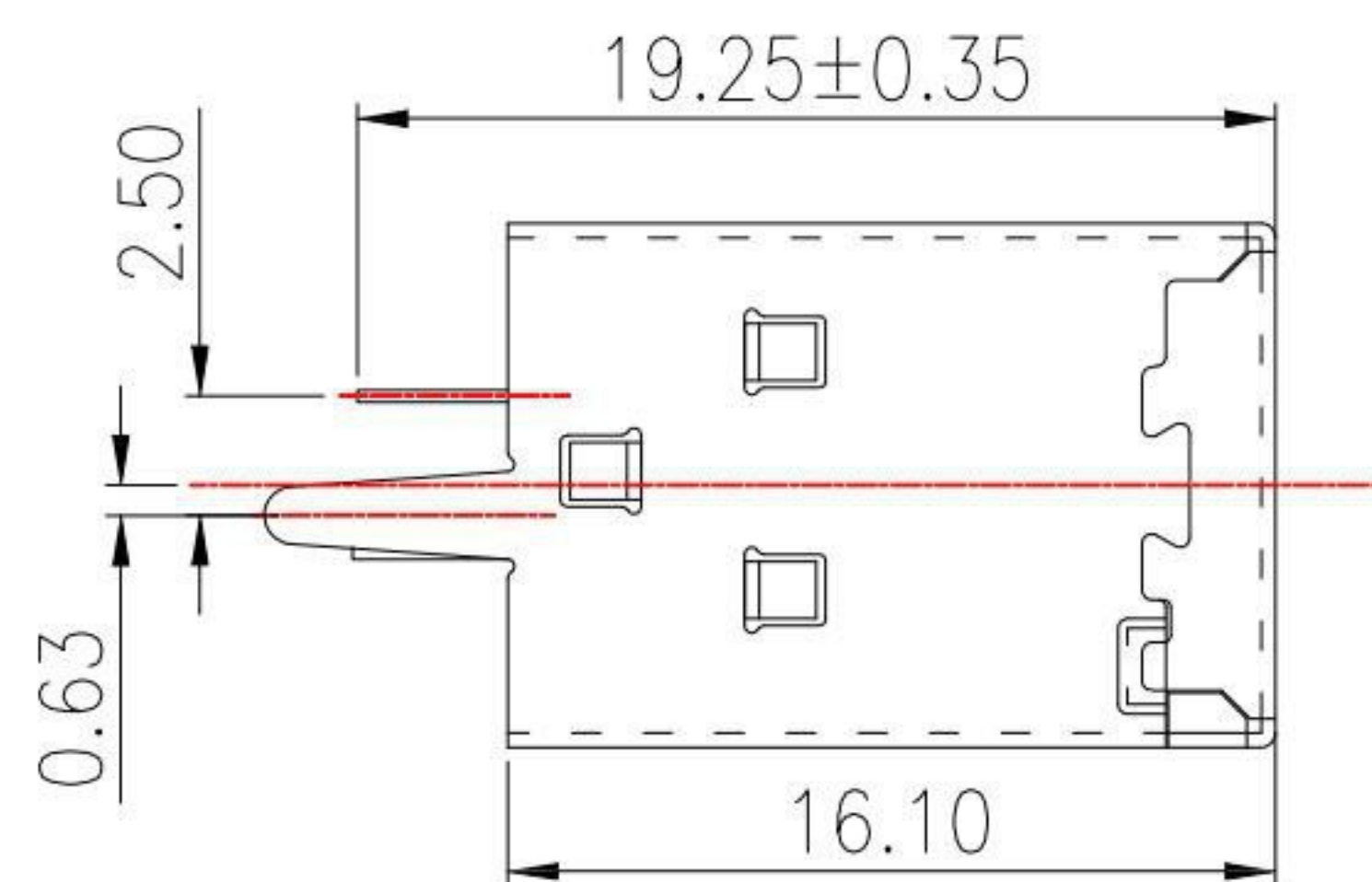
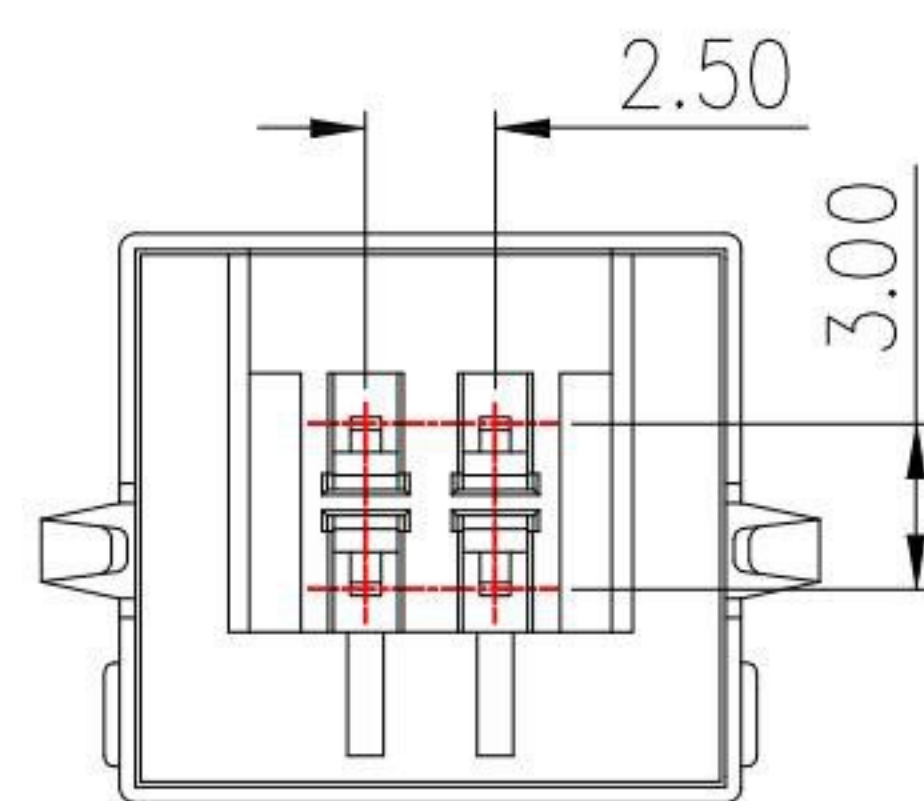
- 1.Connector Mate and Unmate Force
Mate force: 3.57 kgf (Max)
Unmate force: 1.02 kgf (Min)

Material:

- 1.Housing: PBT
- 2.Contact: BRASS
- 3.Shell: BRASS / SPCC

Finish:

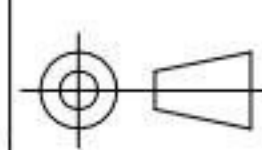
- 1.Contact: Plated Gold in Mating Area ;
Tin Plated on Solder Balls ;
Nickel under plated overall
- 2.Shell: Nickel under Plated surface layer



KSD 科斯达电子科技有限公司
SWITCH CONNECTOR KSD ELECTRONIC TECHNOLOGY Co., LTD
全球 互联网 零组件 制造企业

TOLERANCE UNLESS OTHERWISE STATED :
Up to 5 ±0.2
Above 5 ~ 15 ±0.3
Above 15 ~ 30 ±0.4
Above 30 ~ 50 ±0.5
Angle ±0.3°

3RD. ANGEL'S



UNITS MM

DRAWN BY: Jack Lu
DATE: 01/13/22
CHECKED BY: Jacky Chen
DATE: 01/13/22
APPROVED BY: Tony Kao
DATE: 01/13/22

MAT'L		TITLE	CONNECTOR
FINISH		MODLE	USB BF 180 度
SCALE	1 : 1	DWG NO.	SUB-110V _{x-x-x} -S236
SHEET NO.	1 of 1	PART NO.	SUB-110V _{x-x-x} -S236

SIZE A4
VER R3

3	更新Contact材質	Jack	011322
2	更新尺寸	Jack	080221
1	更新圖面及新增鍍層選項	Jack	101320
ITEM NO.	DESCRIPTION	DRAWN	DATE