



SPECIFICATIONS

Electrical:

- 1.Current Rating: 1.0A / contact terminal
- 2.Voltage Rating: 30V DC
- 3.Contact Resistance: 50 milliohms Max
- 4.Dielectric Withstanding Voltage: 300 V AC AT Sec Level
- 5.Insulation Resistance: 100 MEGA ohms Min

Mechanical:

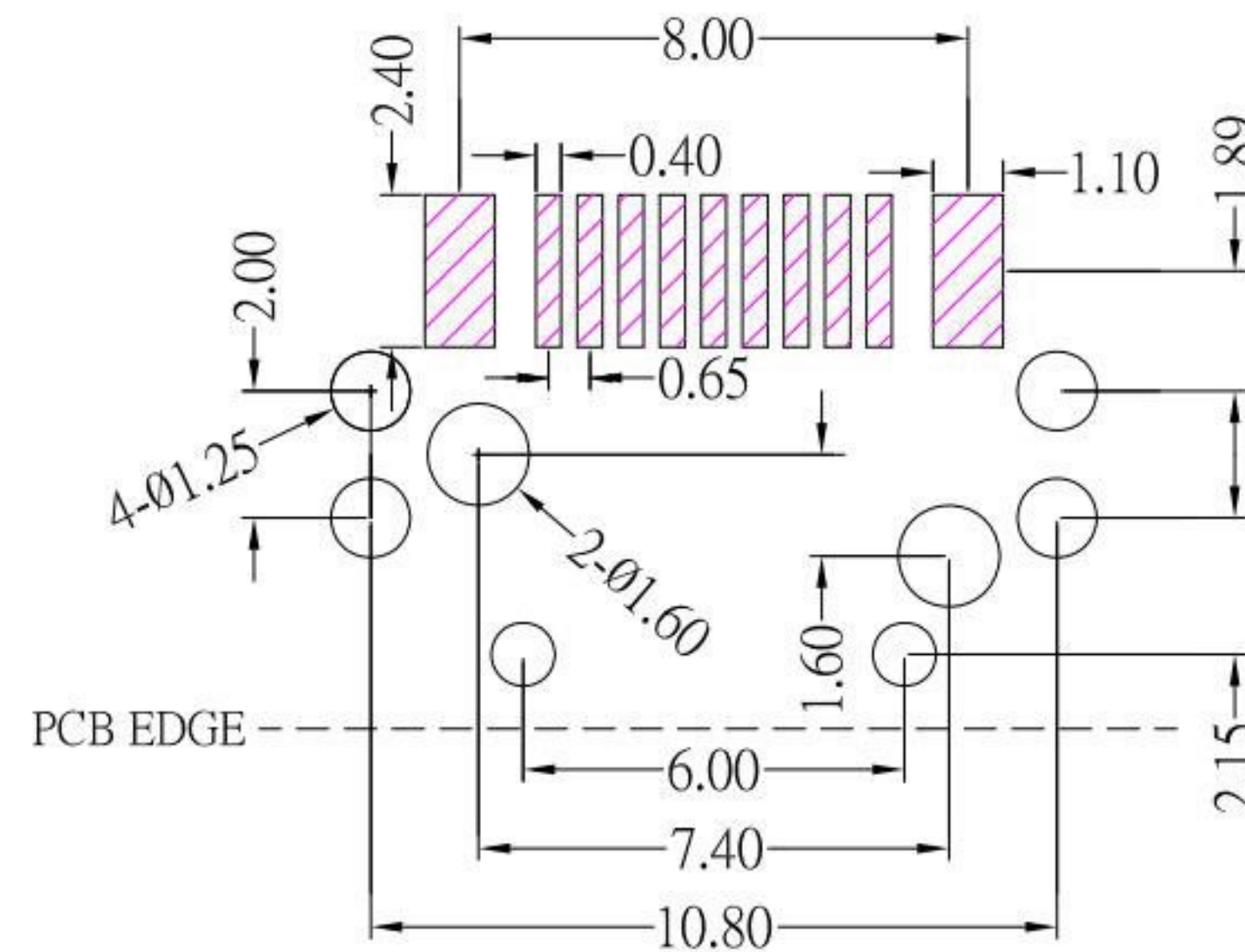
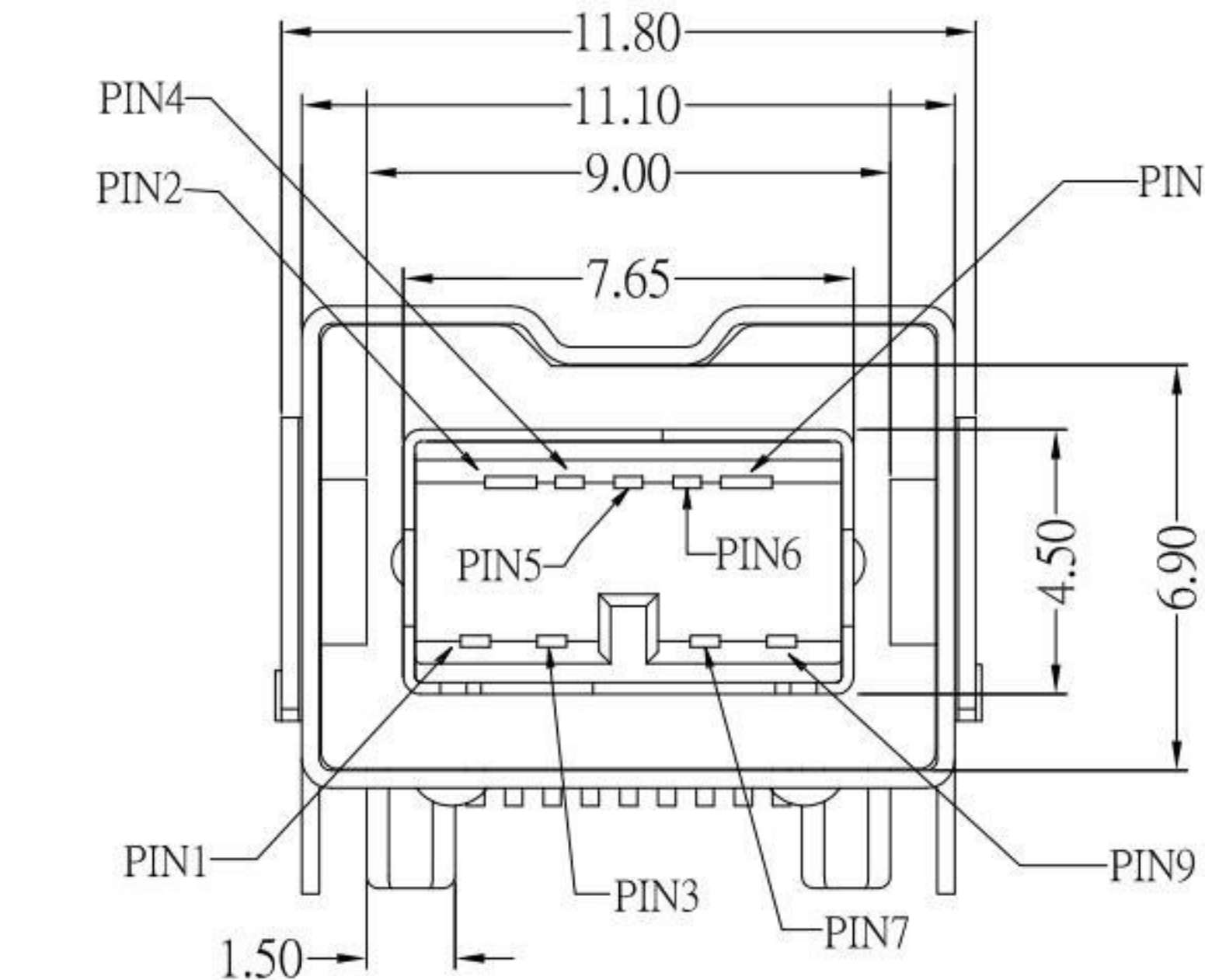
- 1.Connector Mate and Unmate Force
Mate force: 3.0 kgf (Max)
Unmate force: 0.7 kgf (Min)
- 2.Terminal Retention: 0.5 kgf (Min)

Material:

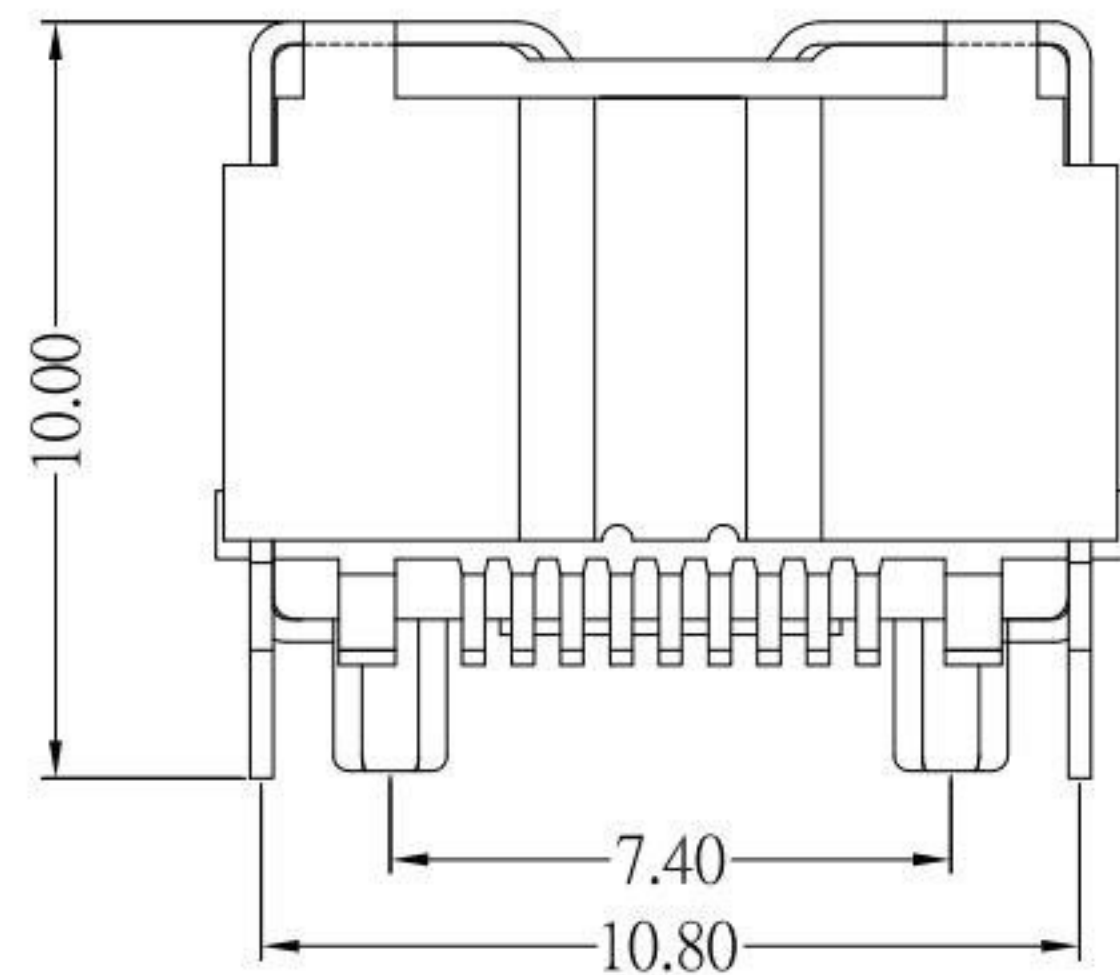
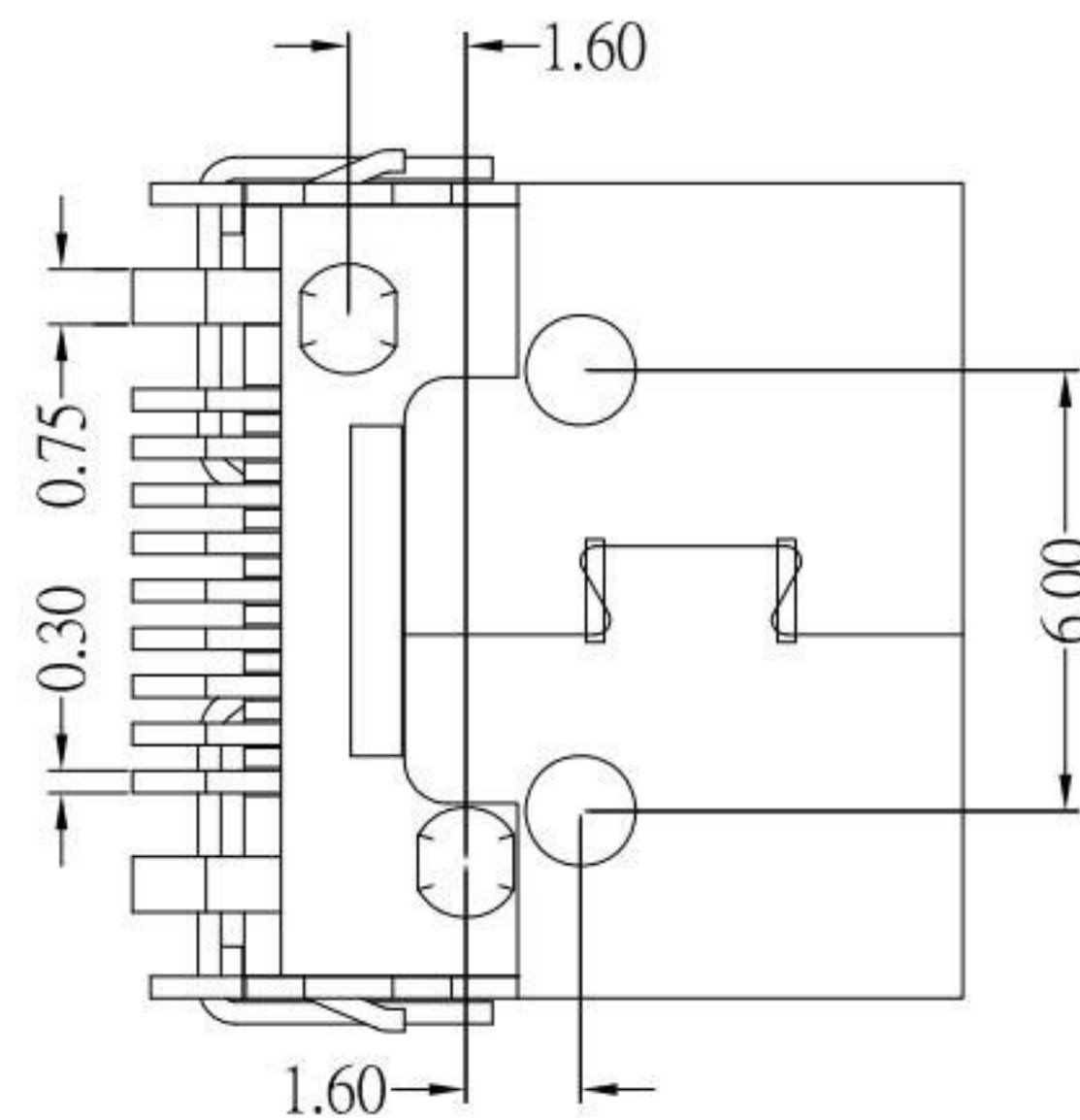
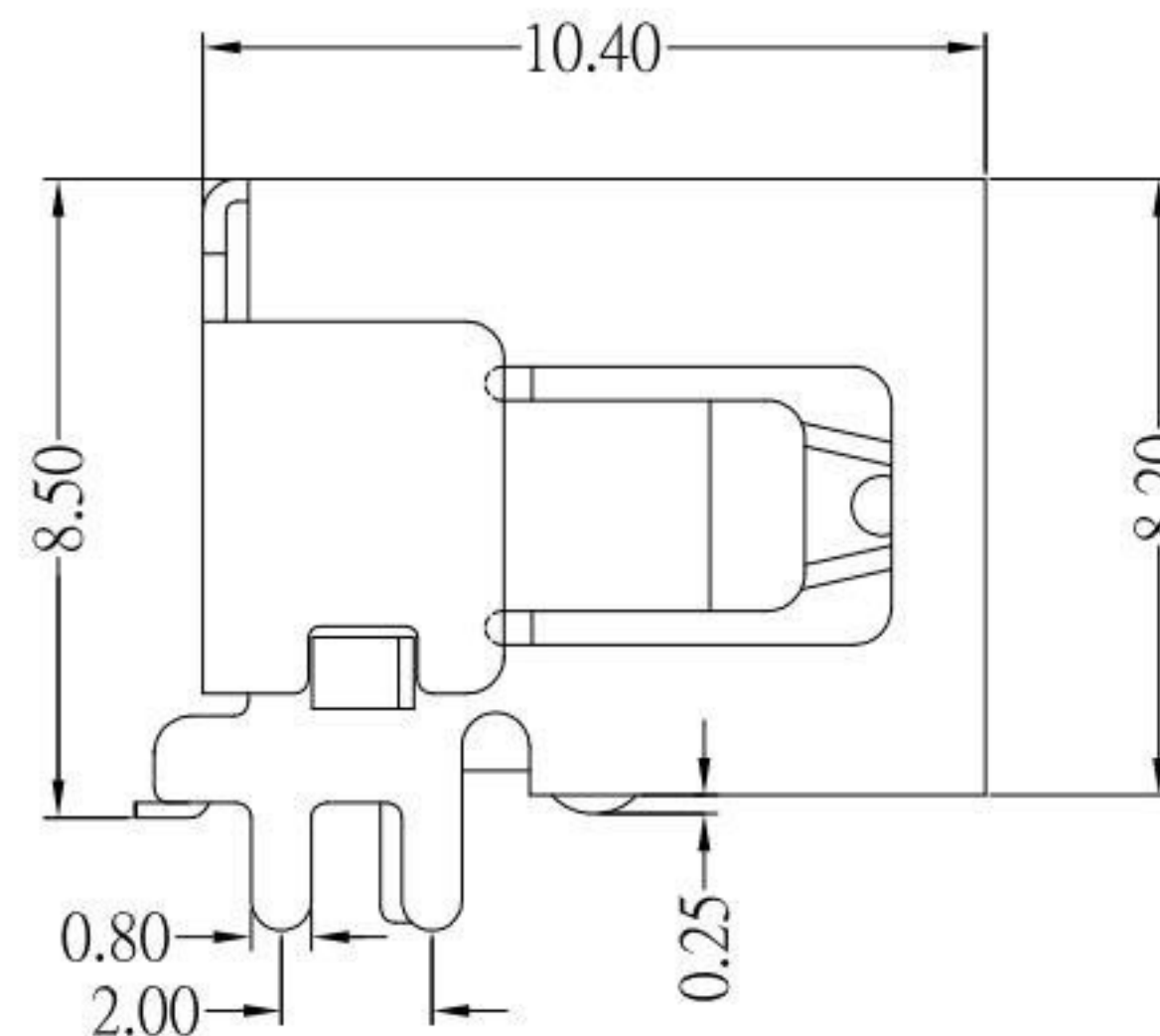
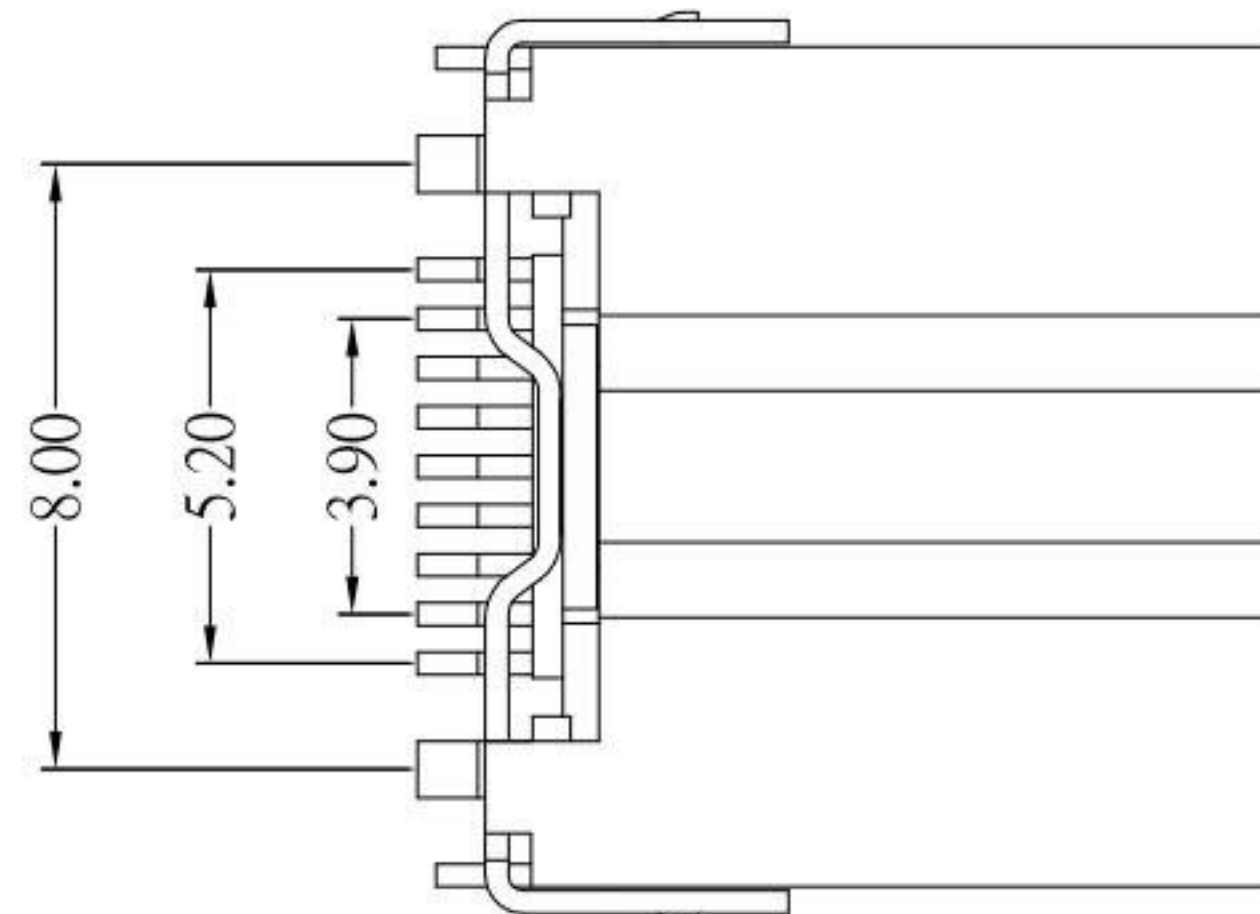
- 1.Housing: High Temperature Thermal Plastics, UL 94V-0 , LCP , Black
- 2.Contact: PHOSPHOR BRONZE
- 3.Shell: BRASS

Finish:

- 1.Contact: Plated Gold in Mating Area ; Gold Plated on Solder Balls
Nickel under plated overall
- 2.Shell: Nickel under Plated surface layer



P.C.B LAYOUT MOUNTING PATTERN



KSD 科斯达电子科技有限公司
SWITCH CONNECTOR KSD ELECTRONIC TECHNOLOGY Co., LTD
全球 互联网 零组件 制造企业

TOLERANCE UNLESS OTHERWISE STATED:	Up to 5 ±0.2	3RD. ANGEL'S	UNITS	MM
	Above 5 ~ 15 ±0.3			
	Above 15 ~ 30 ±0.4			
	Above 30 ~ 50 ±0.5			
	Angle ±0.3°			

DRAWN BY:	DATE	MAT'L	TITLE	CONNECTOR
Jack Lu	02/19/14		MODLE	1394B 9P FEMALE R/A,SMT ,斜脚
CHECKED BY:	DATE	FINISH	DWG NO.	SUC-1394H-9P-S175
Jacky Chen	02/19/14		SCALE	1 : 1
APPROVED BY:	DATE	SHEET NO.	PART NO.	SUC-1394H-9P-S175
Tony Kao	02/19/14	1 of 1		

1	更新端子鍍層	Jack	021914
ITEM NO.	DESCRIPTION	DRAWN	DATE