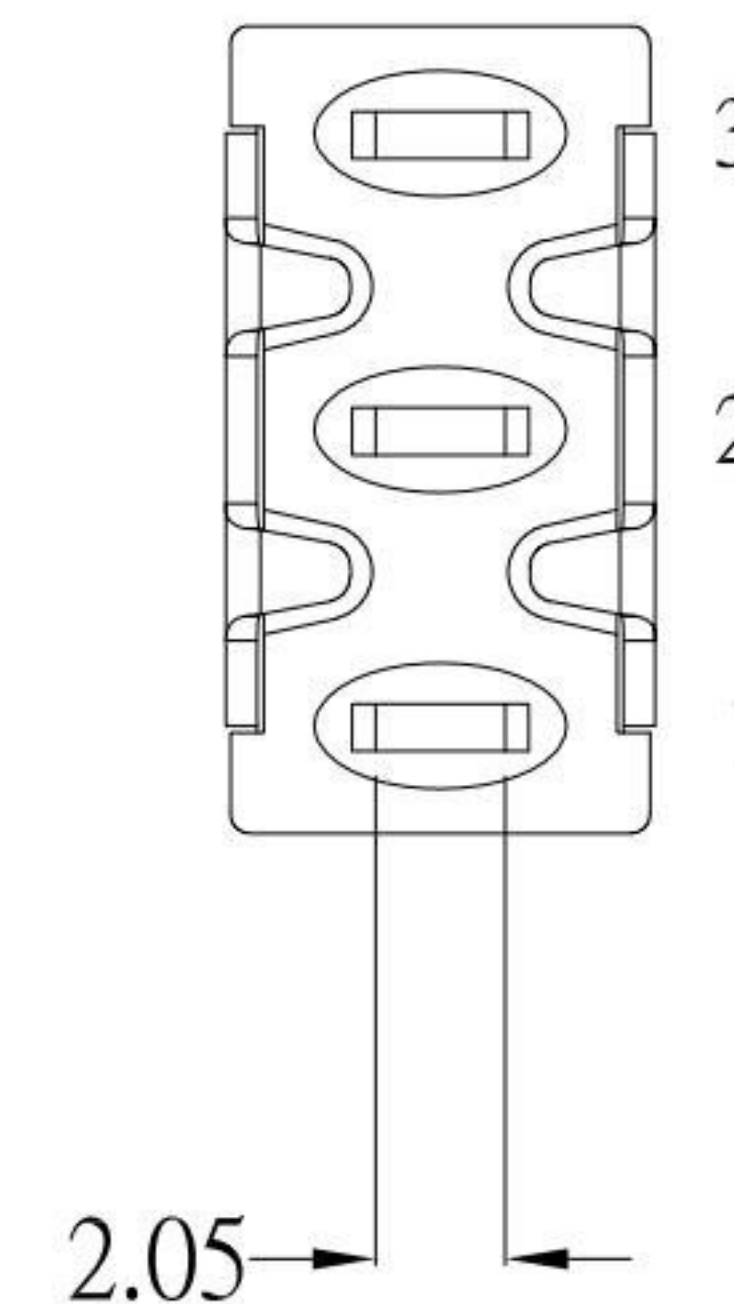
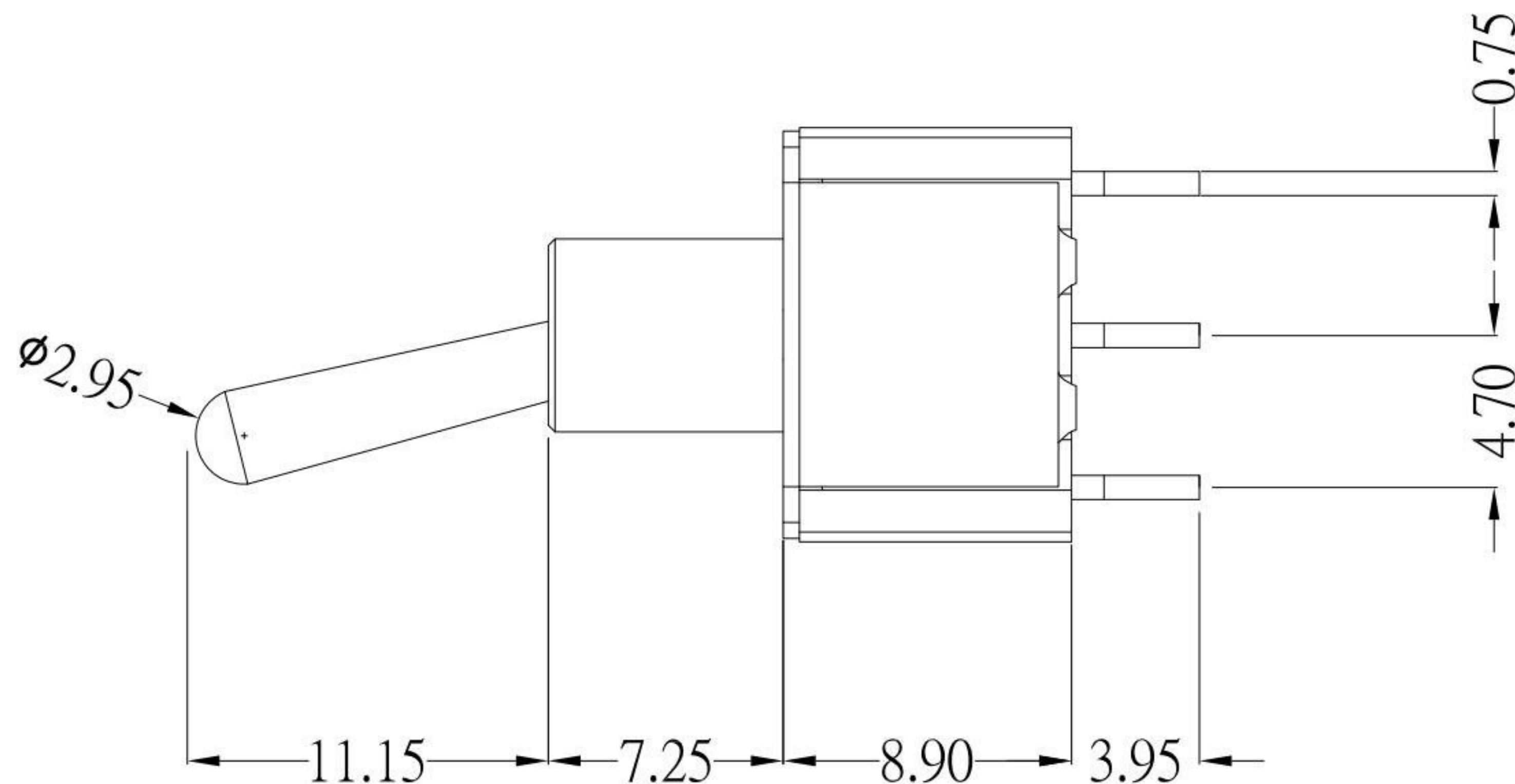
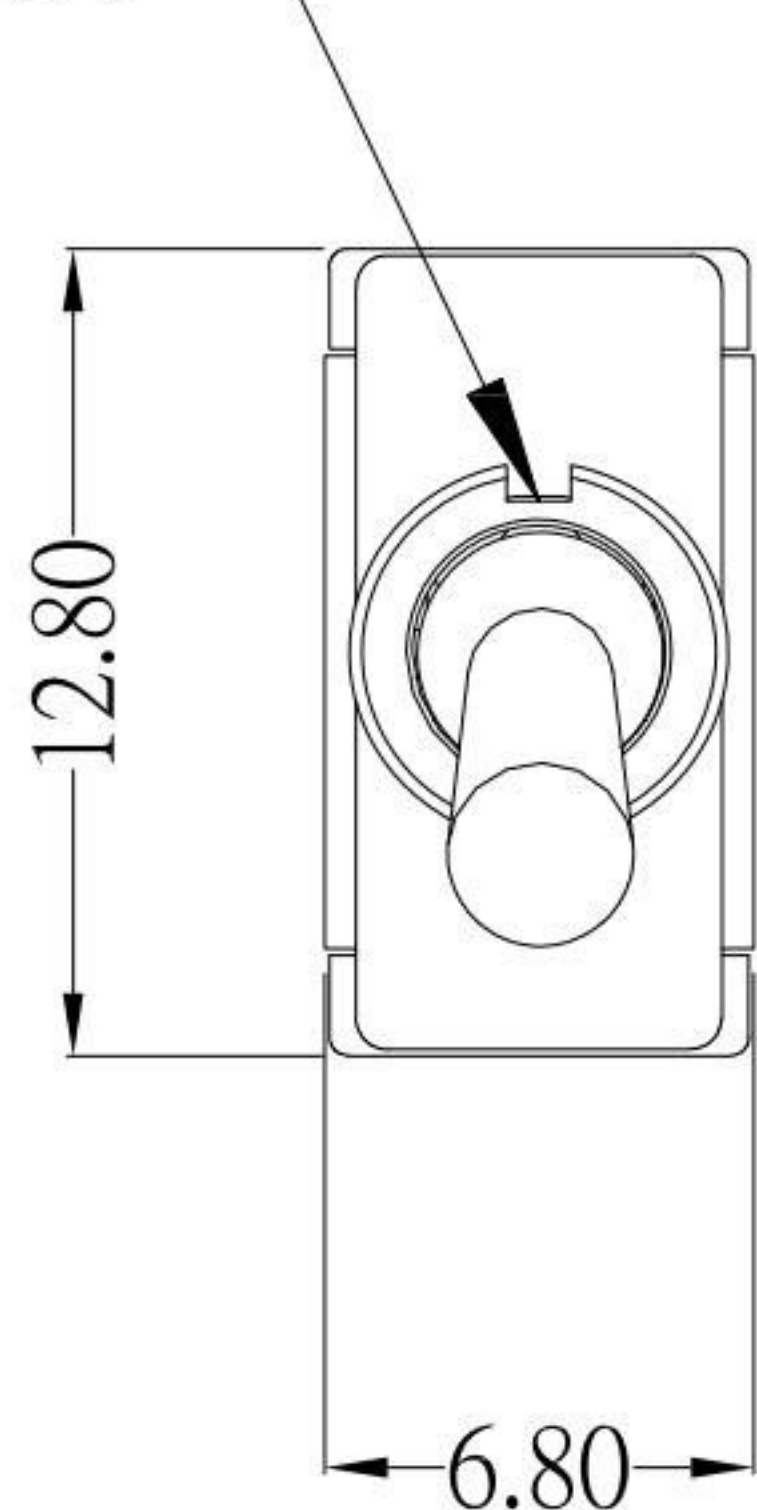
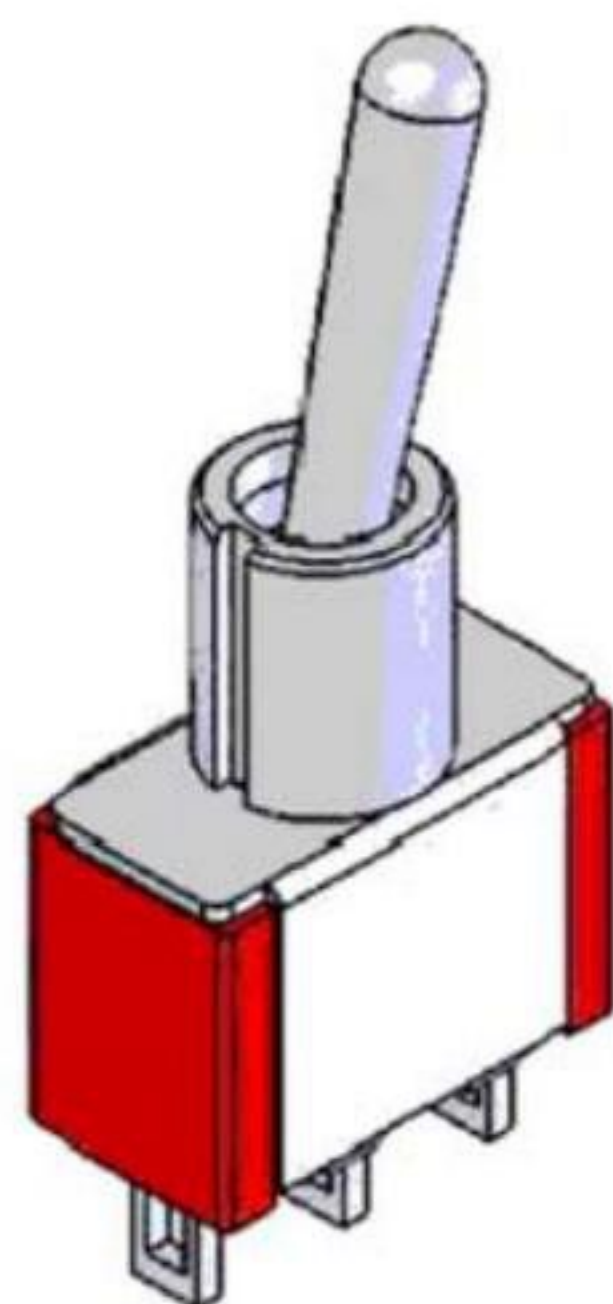


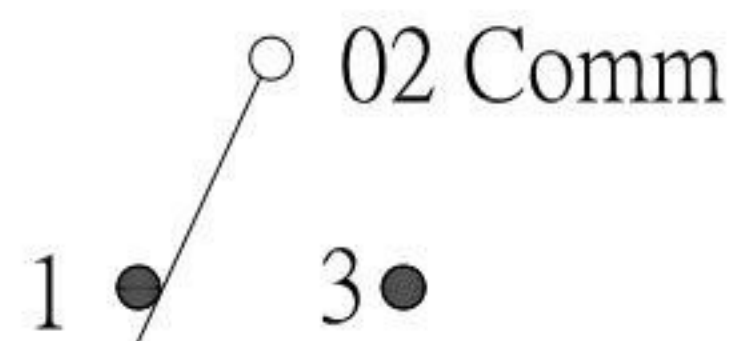
KEYWAY



PRODUCT IMAGE



SCHEMATIC



SPECIFICATIONS:

CONTACT RATING : 5 AMPS / 120V AC or 28V DC  
 2 AMPS / 250V AC or 0.4VA AMPS @ 20V AC or DC  
 ELECTRICAL LIFE : 50,000 make-and-break cycles at full load.  
 CONTACT RESISTANCE : 10 mΩ max. initial @ 2-4 VDC  
 100 mA , for both coin silver and gold plated contacts.  
 INSULATION RESISTANCE : 1,000 MΩ min  
 DIELECTRIC STRENGTH : 1,000 V RMS @ sea level.  
 OPERATING TEMPERATURE : -30°C to 130°C

MTAERIALS:

CASE : Dially phthalate (DAP)(UL-94V-0)  
 ACTUATOR : Brass,chrome plated.  
 BUSHING : Brass. nickel plated.  
 HOUSING : Stainless steel.  
 TERMINAL/CONTACT : Brass , witch silver or gold plated.  
 or gold over silver  
 SWITCH SUPPORT : Brass , tin plated.

Model No.	Switching Position		
	ON	NONE	ON
T101	ON	NONE	ON
T102	ON	NONE	(ON)
T103	ON	OFF	ON
T104	(ON)	OFF	(ON)
T105	ON	OFF	(ON)
Term Comm.	2-3	OPEN	2-1

**KSD** 科斯达电子科技有限公司  
 SWITCH CONNECTOR KSD ELECTRONIC TECHNOLOGY Co., LTD  
 全球 互联零组件制造企业

TOLERANCE UNLESS OTHERWISE STATED :  
 Up to 5 ±0.2  
 Above 5 ~ 15 ±0.3  
 Above 15 ~ 30 ±0.4  
 Above 30 ~ 50 ±0.5  
 Angle ±0.3°

3RD. ANGEL'S

UNITS MM

DRAWN BY:	DATE	MAT'L	TITLE	SWITCH
Frank Wu	01/03/12			
CHECKED BY:	DATE	FINISH	MODLE	TOGGLE ROCKER SWITCH
Jacky Chen	01/03/12			
APPROVED BY:	DATE	SCALE	DWG NO.	T10xT1B4A1
Tony Kao	01/03/12	1 : 1		
		SHEET NO.	PART NO.	T10xT1B4A1
		1 of 1		

1	圖面料號、標註尺寸更新	FrankWu	010312
ITEM NO.	DESCRIPTION	DRAWN	DATE