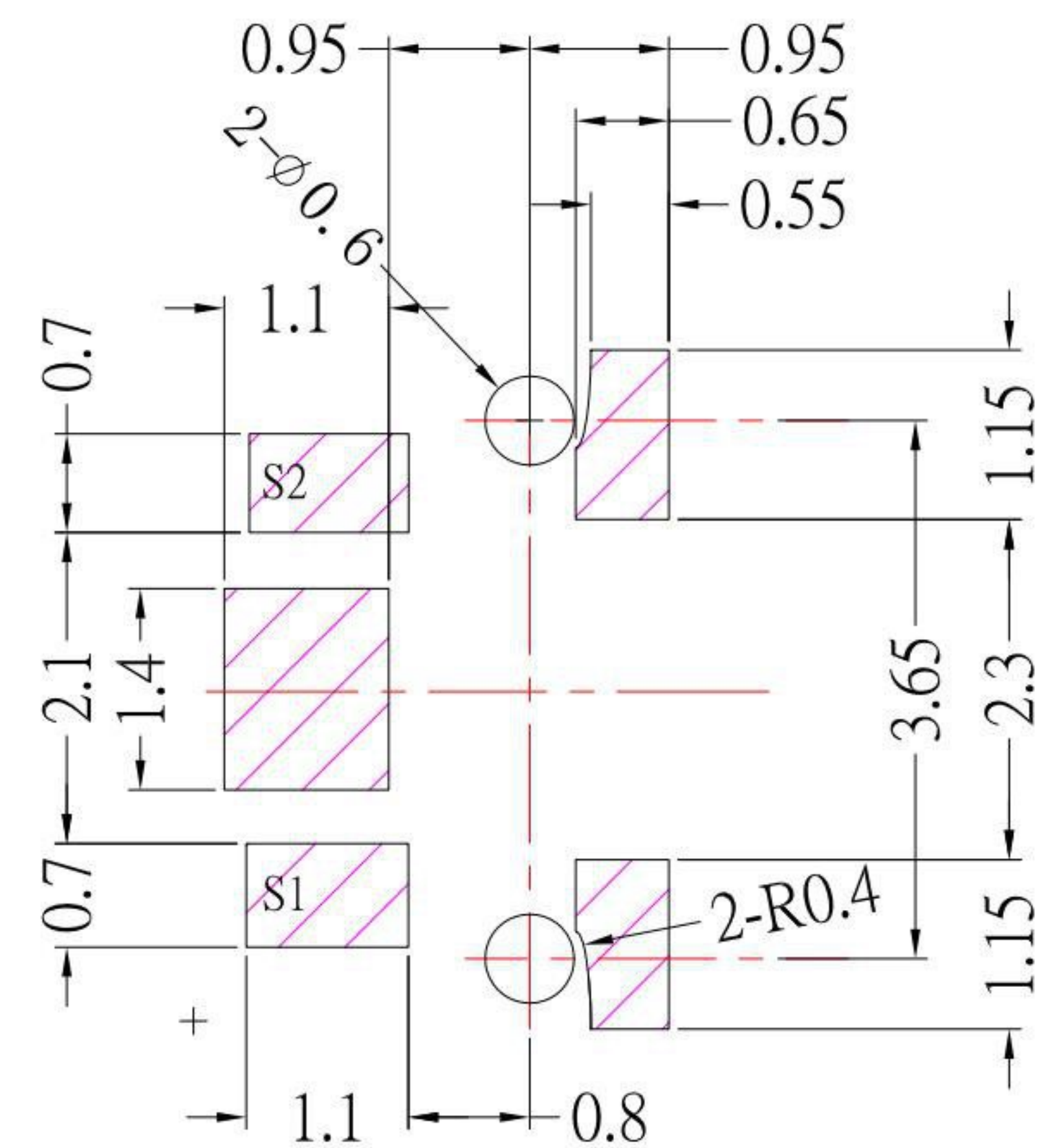


CIRCUIT DIAGRAM

SPECIFICATIONS

Rating	DC 12V 20mA Max.
Circuit	1C - 1P
Contact Resistance	100mΩ Max.
Travel	0.20±0.10mm
Operating Force	160 ± 50gf
Operating Life (cycles)	100,000

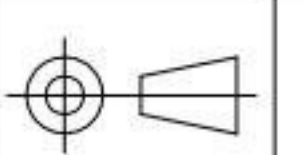


P.C.B LAYOUT MOUNTING PATTERN

**KSD** 科斯达电子科技有限公司  
 SWITCH CONNECTOR KSD ELECTRONIC TECHNOLOGY Co., LTD  
 全球 互联零组件制造企业

TOLERANCE UNLESS OTHERWISE STATED:  
 Up to 5 ±0.2  
 Above 5 ~ 15 ±0.3  
 Above 15 ~ 30 ±0.4  
 Above 30 ~ 50 ±0.5  
 Angle ±0.3°

3RD. ANGEL'S



UNITS MM

DRAWN BY: Jack Lu DATE: 07/16/19  
 CHECKED BY: Jacky Chen DATE: 07/16/19  
 APPROVED BY: Tony Kao DATE: 07/16/19

MAT'L	TITLE	SWITCH
FINISH	MODLE	TACT SWITCH
SCALE 1:1	DWG NO.	TS-308GS-2-S200
SHEET NO. 1 of 1	PART NO.	TS-308GS-2-S200

SIZE A4  
 VER R3

ITEM NO.	DESCRIPTION	DRAWN	DATE
3	更新圖面	Jack	071619
2	PCB layout update	Jack	090613
1	PCB layout update	FrankWu	081612