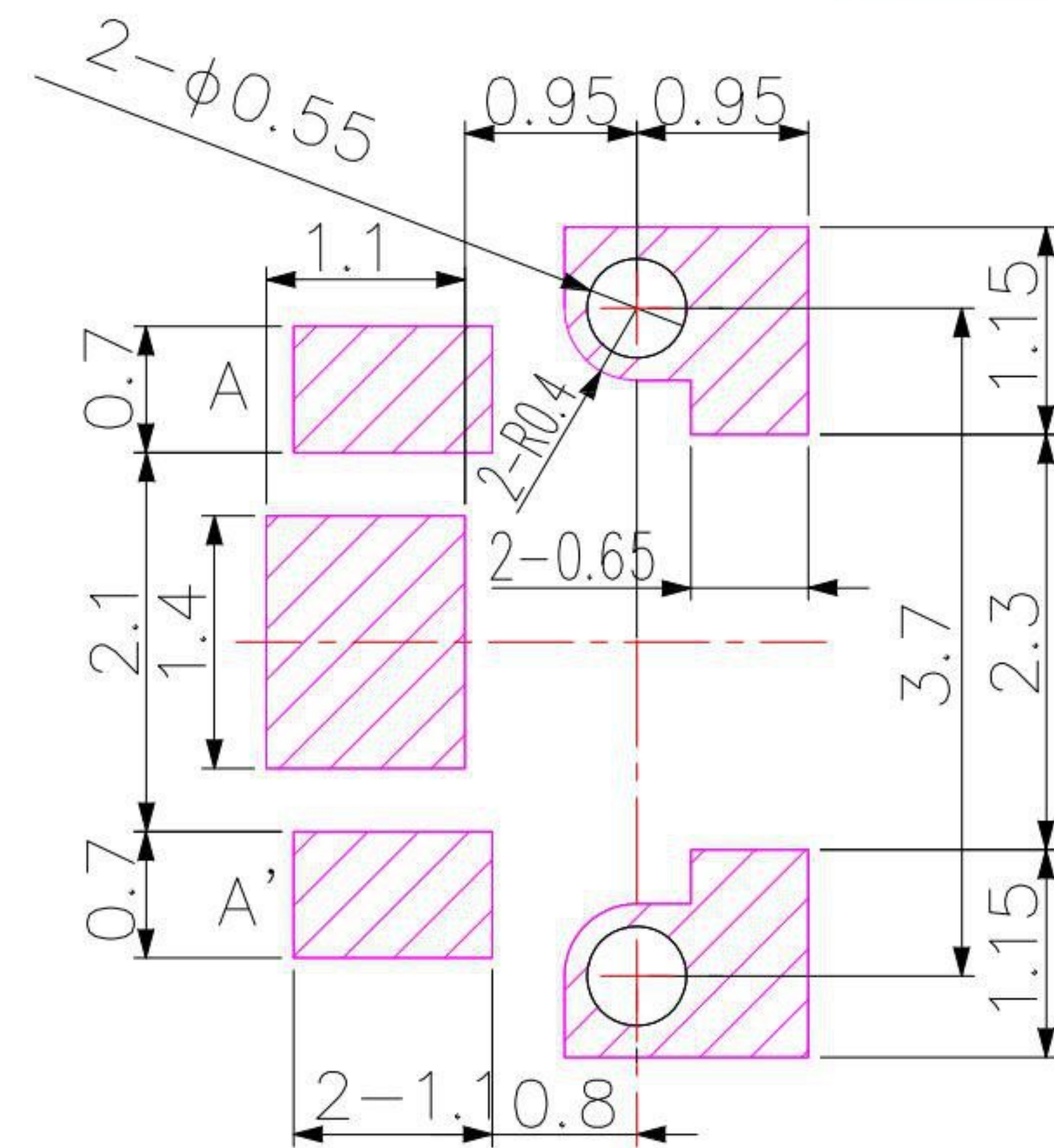
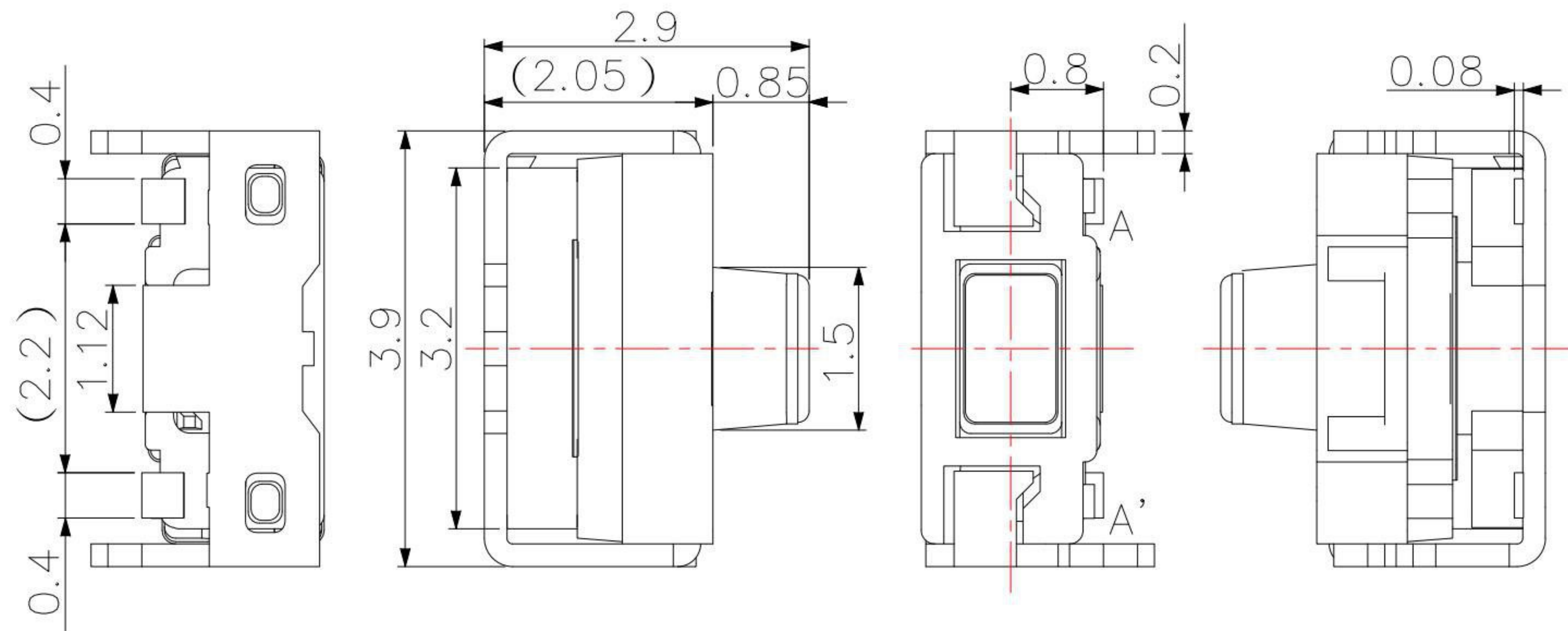
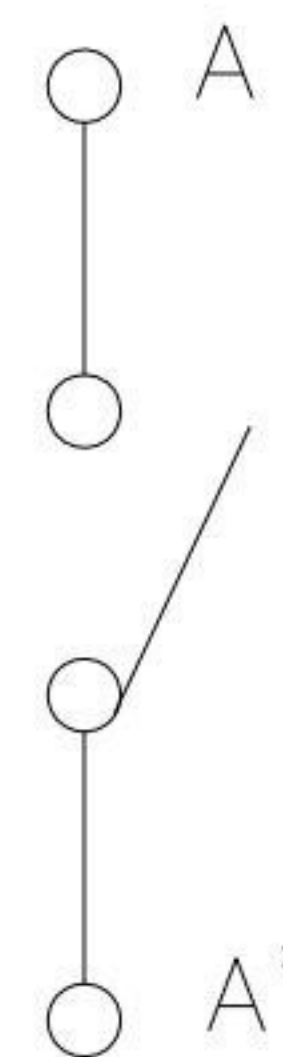
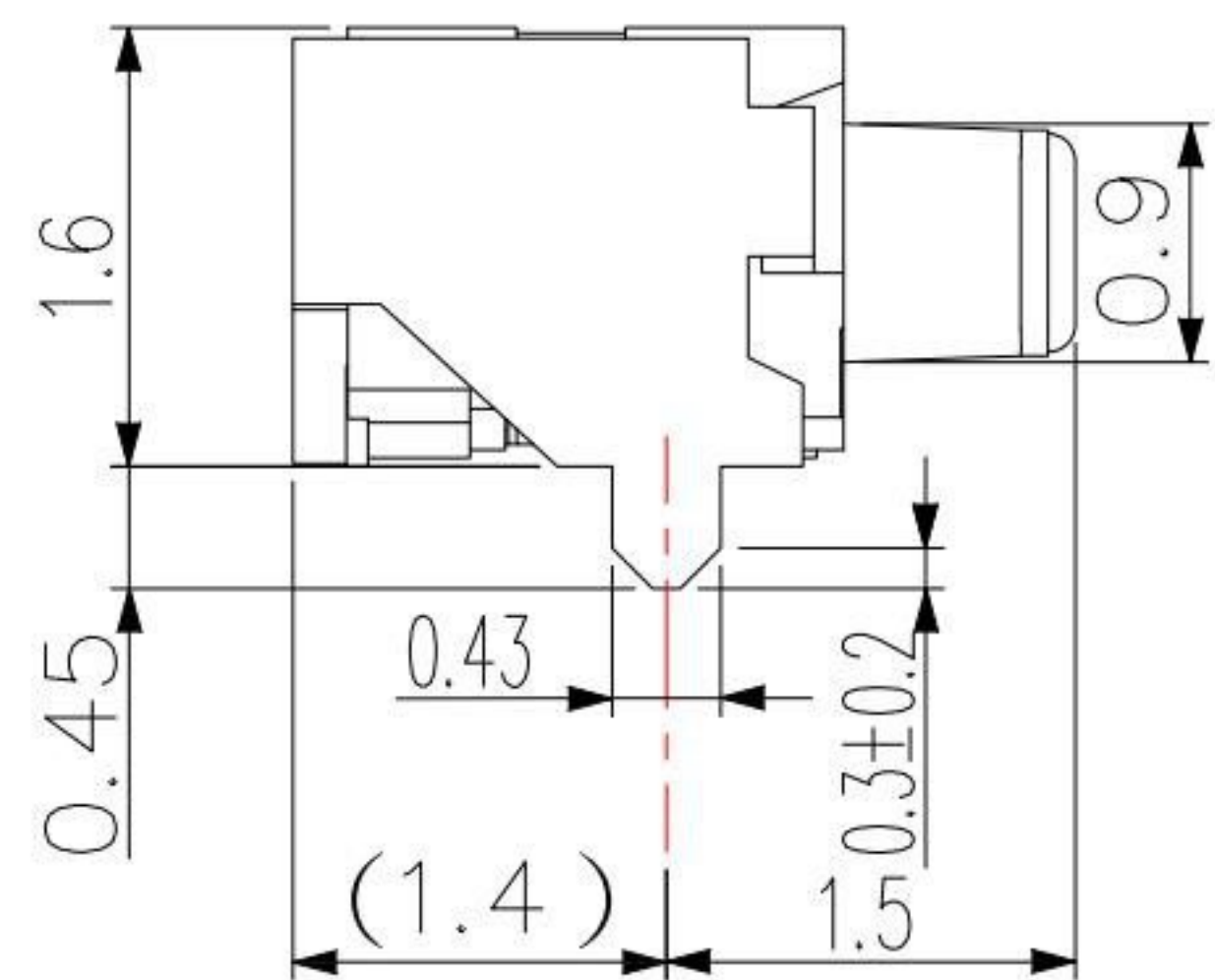


IP67



P.C.B LAND PATTERN & HOLE



CIRCUIT DIAGRAM

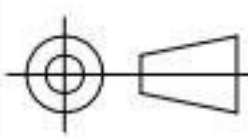
SPECIFICATIONS

Rating	DC 15V 20mA
Contact Resistance	100mΩ Max.
Travel	0.12 mm
Operating Force	160 ± 50gf
Operating Life (cycles)	500,000

KSD 科斯达电子科技有限公司
 SWITCH CONNECTOR KSD ELECTRONIC TECHNOLOGY Co., LTD
 全球 互联零组件制造企业

TOLERANCE UNLESS OTHERWISE STATED:
 Up to 5 ±0.2
 Above 5 ~ 30 ±0.3
 Above 30 ~ 50 ±0.4
 Above 50 ±0.5
 Angle ±0.3°

3RD. ANGEL'S



UNITS MM

DRAWN BY: Jack Lu DATE: 06/07/21
 CHECKED BY: Jacky Chen DATE: 06/07/21
 APPROVED BY: Tony Kao DATE: 06/07/21

MAT'L	TITLE	SWITCH
FINISH	MODLE	TACT SWITCH R/A WATERPROOF TYPE
SCALE 1:1	DWG NO.	TS-309W-2-S182
SHEET NO. 1 of 1	PART NO.	TS-309W-2-S182

SIZE A4
 VER R