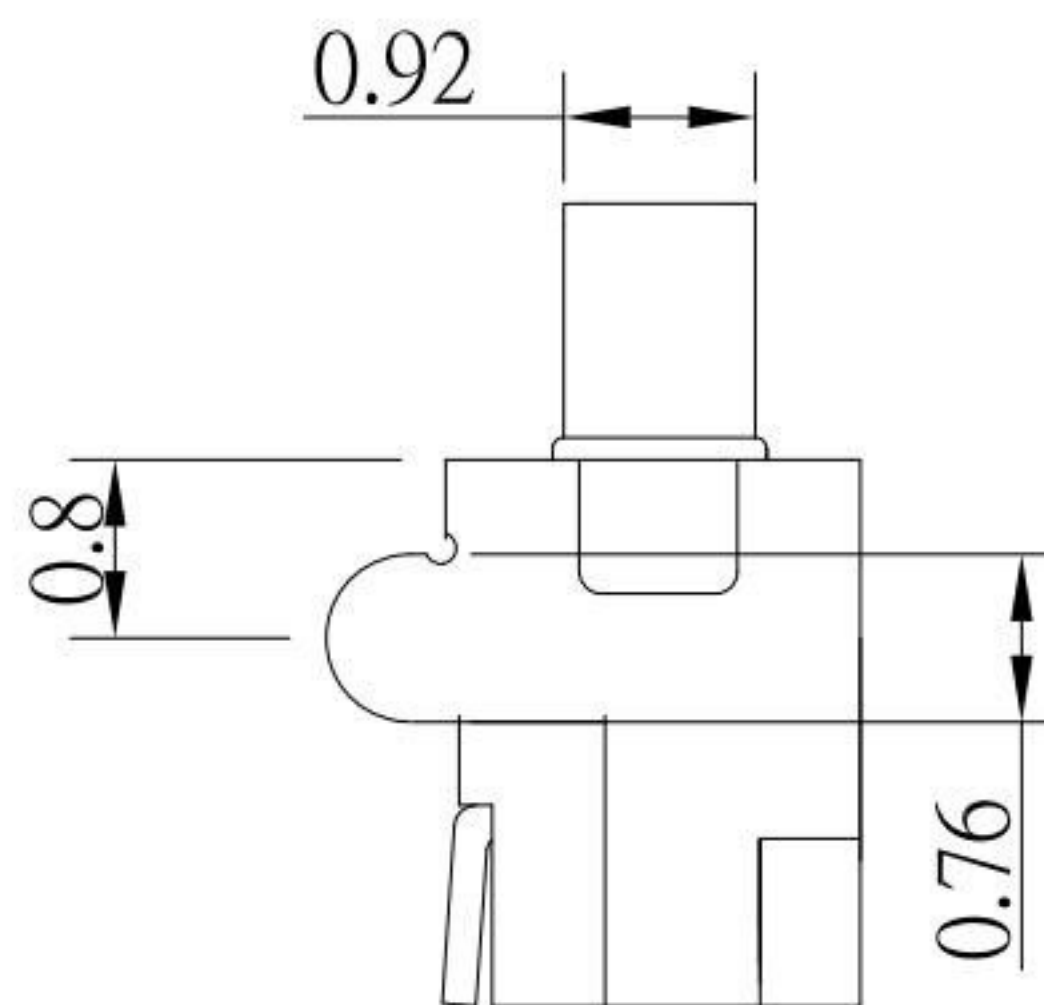
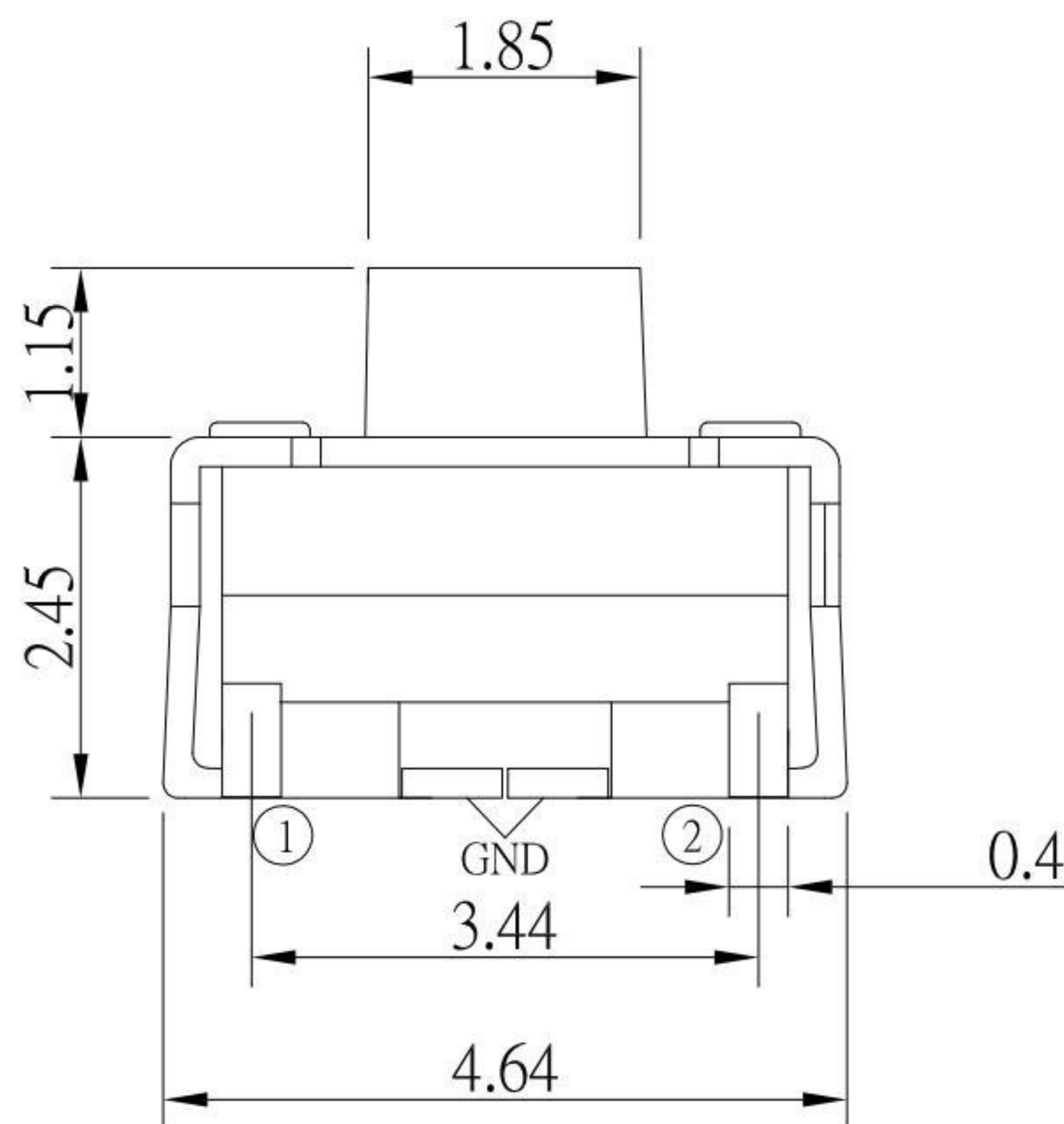


P.C.B. LAYOUT MOUNTING PATTERN



SPECIFICATIONS

Rating	DC 12V 50mA	
Contact Resistance	100mΩ Max.	
Insulation Resistance	50MΩ Min.	
Operating Force	2 150 ± 50gf	3 240 ± 50gf
Operating Life (cycles)	70,000	20,000

KSD 科斯达电子科技有限公司
 SWITCH CONNECTOR KSD ELECTRONIC TECHNOLOGY Co., LTD
 全球 互聯零組件 制造企业

TOLERANCE UNLESS OTHERWISE STATED:
 Up to 5 ±0.2
 Above 5 ~ 15 ±0.3
 Above 15 ~ 30 ±0.4
 Above 30 ~ 50 ±0.5
 Angle ±0.3°

3RD. ANGEL'S

UNITS MM

DRAWN BY:	DATE	MAT'L	TITLE	SWITCH
Jack Lu	06/03/15		MODLE	TACT SWITCH
CHECKED BY:	DATE	FINISH	DWG NO.	TS-A00AD-x-S246
Jacky Chen	06/03/15		PART NO.	TS-A00AD-x-S246
APPROVED BY:	DATE	SCALE	1 : 1	
Tony Kao	06/03/15	SHEET NO.	1 of 1	

ITEM NO.	DESCRIPTION	DRAWN	DATE
4	新增Operating Force選項	Jack	060315
3	更新電流值及Operating Force	Jack	031715
2	更新圖面位置及新增PIN標示	Jack	052014
1	更新為A0版	Jack	020514