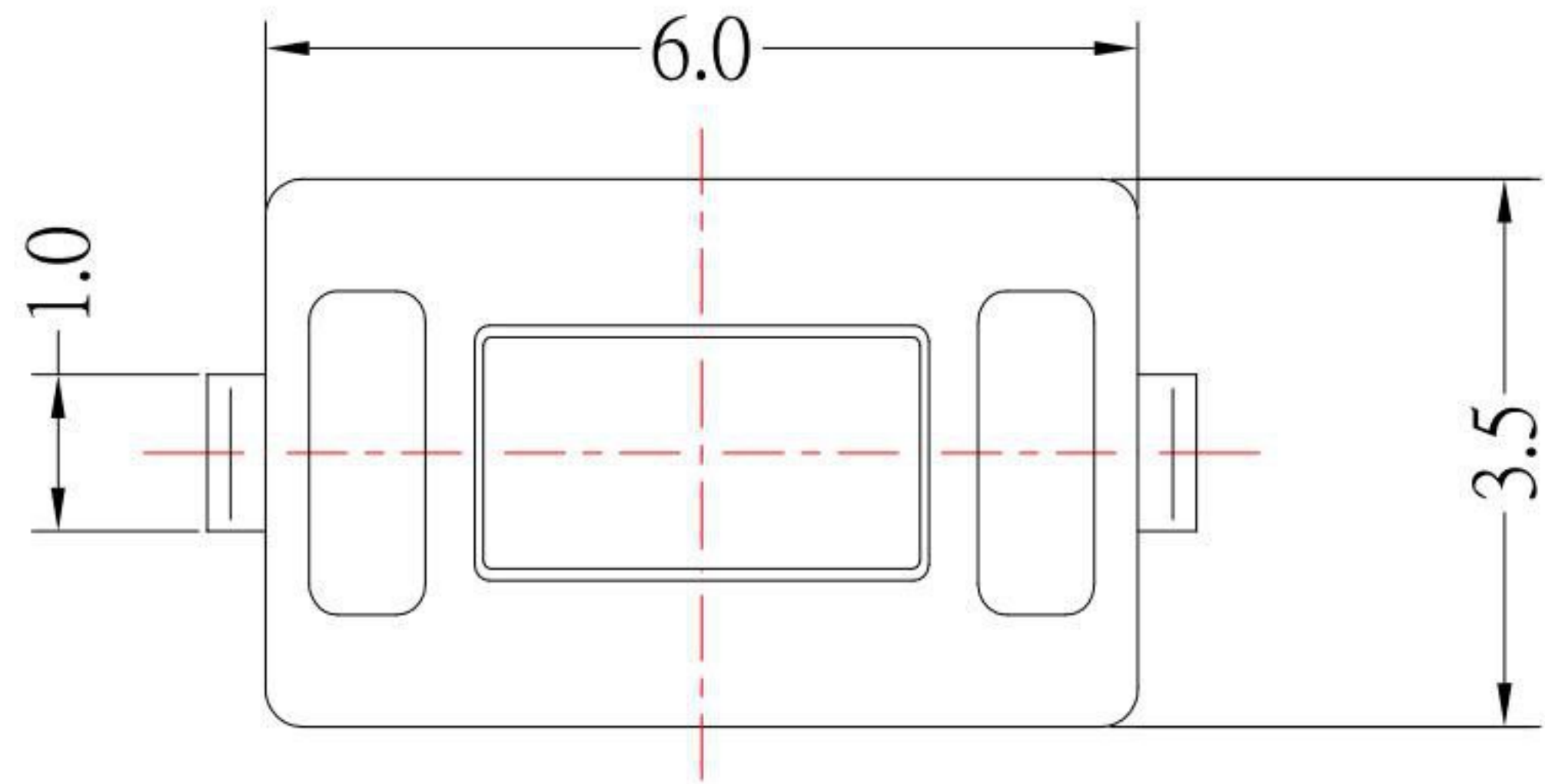
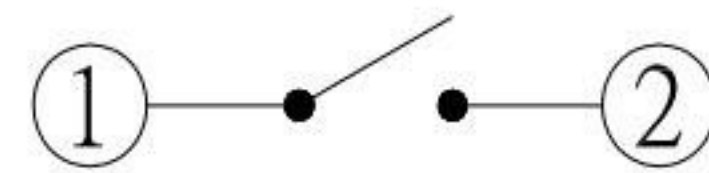




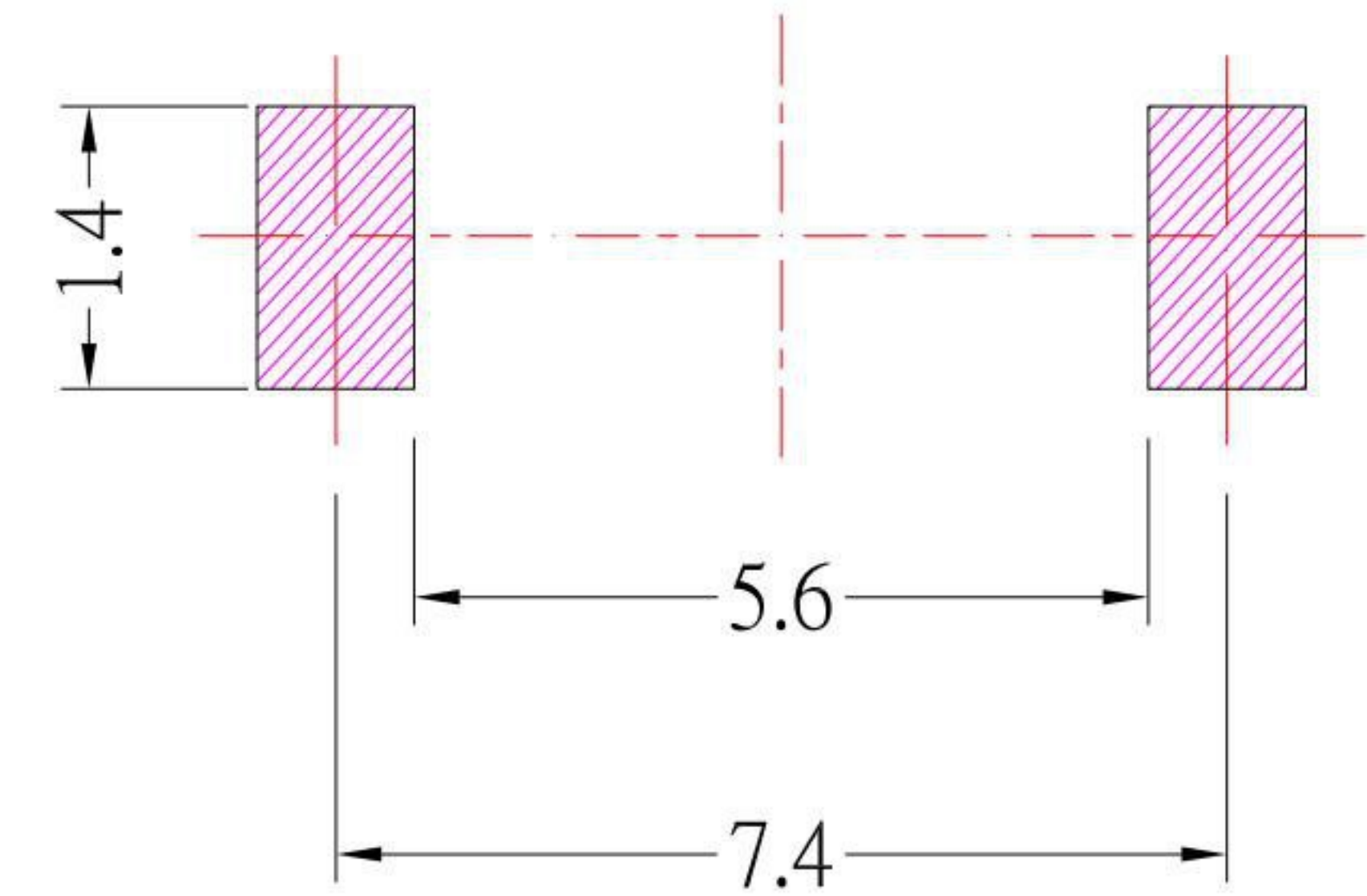
DIMENSIONS



CIRCUIT DIAGRAM

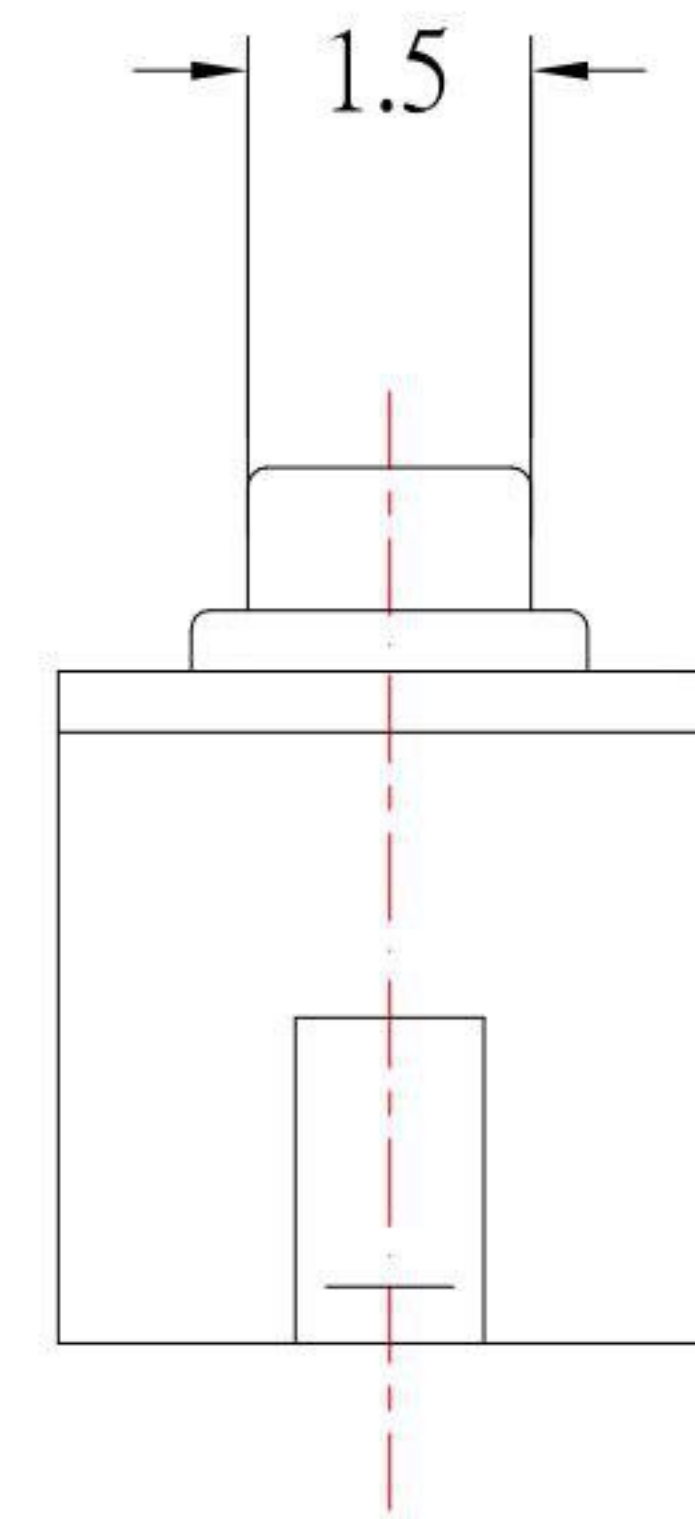
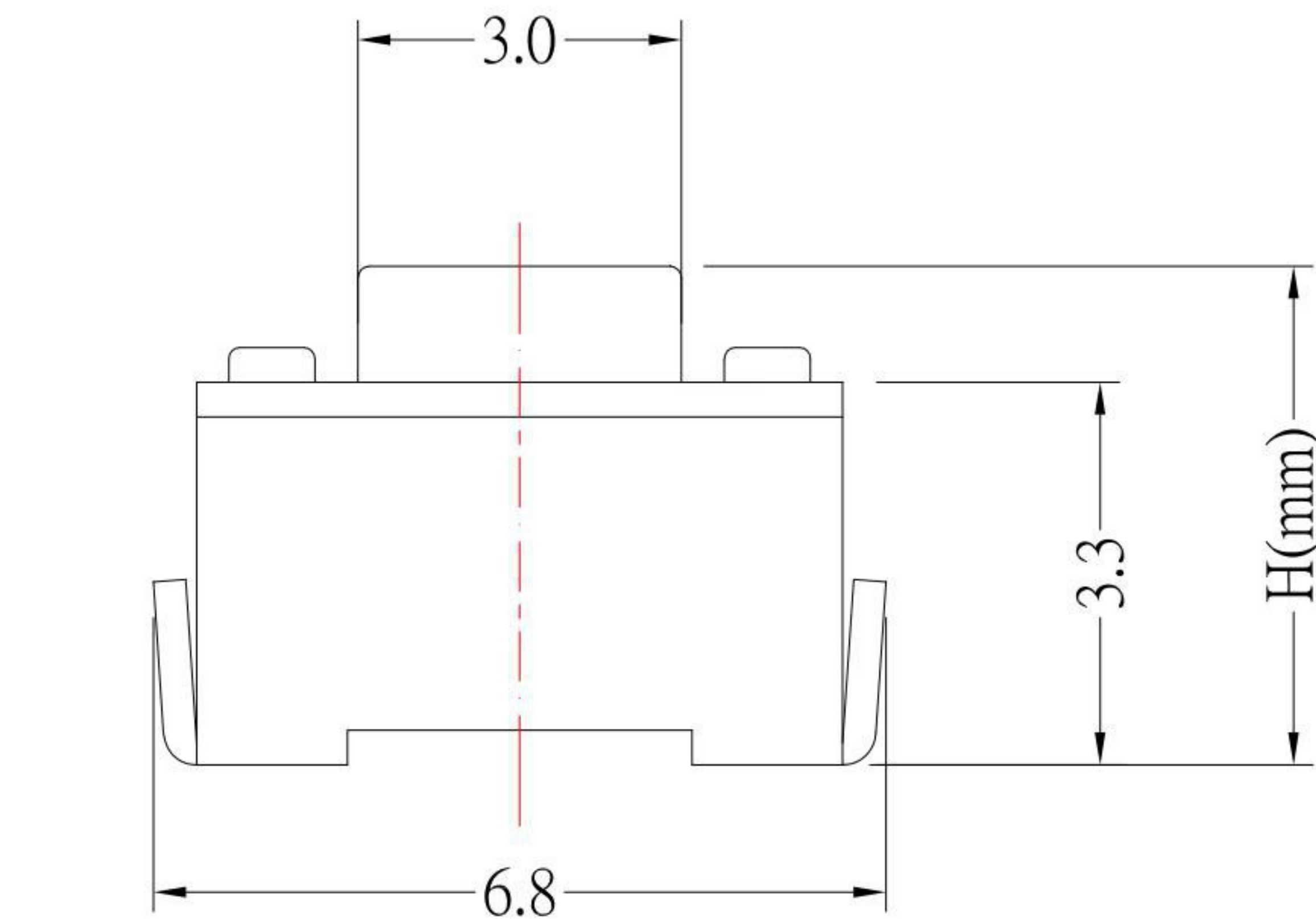


P.C.B LAYOUT MOUNTING PATTERN



HEIGHT

MODEL	H(mm)
TS-A01NH-x-S138	4.3
TS-A01NHA-x-S138	5.0



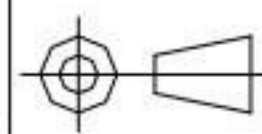
SPECIFICATIONS

Rating	DC 12V 50mA Max.			
Contact Resistance	100mΩ Max.			
Travel	0.25 ± 0.10 mm			
Operating Force	0 100±30gf	1 130±30gf	2 160±50gf	3 250±50gf 4 320±50gf
Operating Life (cycles)	50,000		30,000	

KSD 科斯达电子科技有限公司
 SWITCH CONNECTOR KSD ELECTRONIC TECHNOLOGY Co., LTD
 全球 互聯零組件製造企業

TOLERANCE UNLESS OTHERWISE STATED:
 Up to 5 ±0.2
 Above 5 ~ 15 ±0.3
 Above 15 ~ 30 ±0.4
 Above 30 ~ 50 ±0.5
 Angle ±0.3

3RD. ANGEL'S



UNITS MM

DRAWN BY: Jack Lu
 CHECKED BY: Jacky Chen
 APPROVED BY: Tony Kao
 DATE: 04/23/14

MAT'L	TITLE	SWITCH
FINISH	MODLE	TACT SWITCH
SCALE 1:1	DWG NO.	TS-A01NHx-x-S138
SHEET NO. 1 of 1	PART NO.	TS-A01NHx-x-S138

ITEM NO.	DESCRIPTION	DRAWN	DATE
1	新增Operating Force選項4	Jack	042314