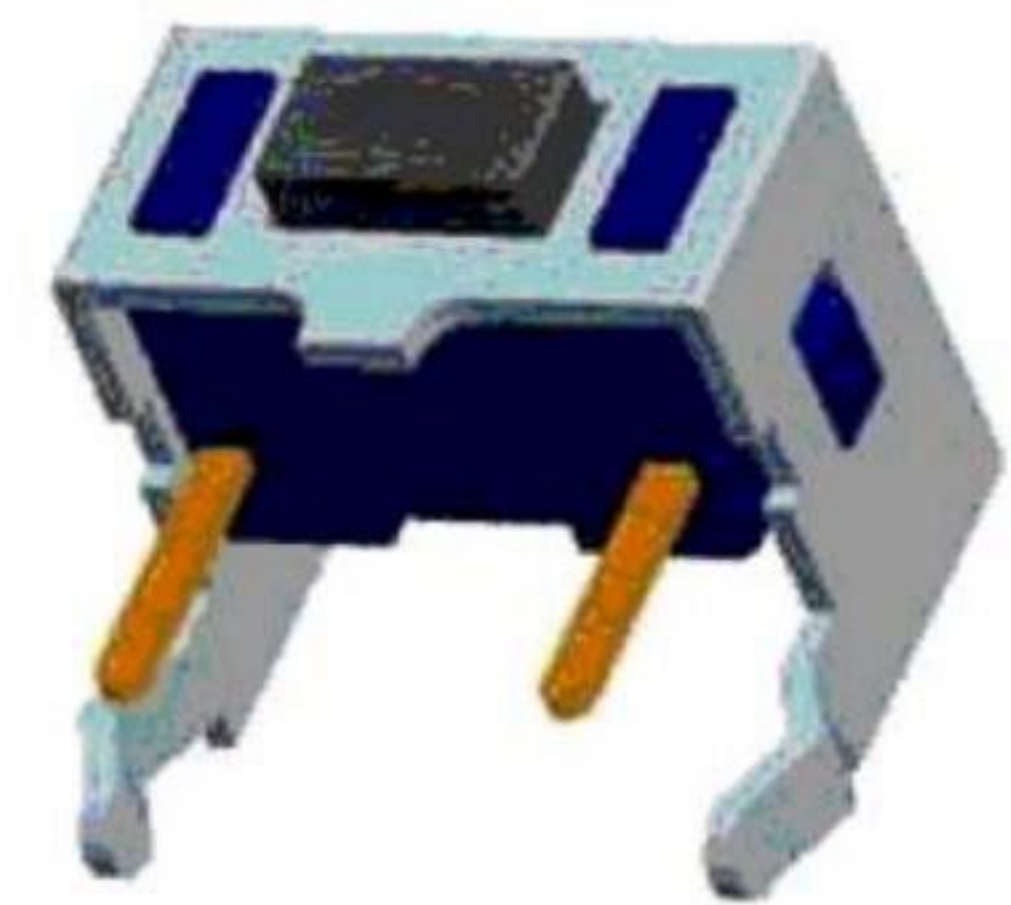
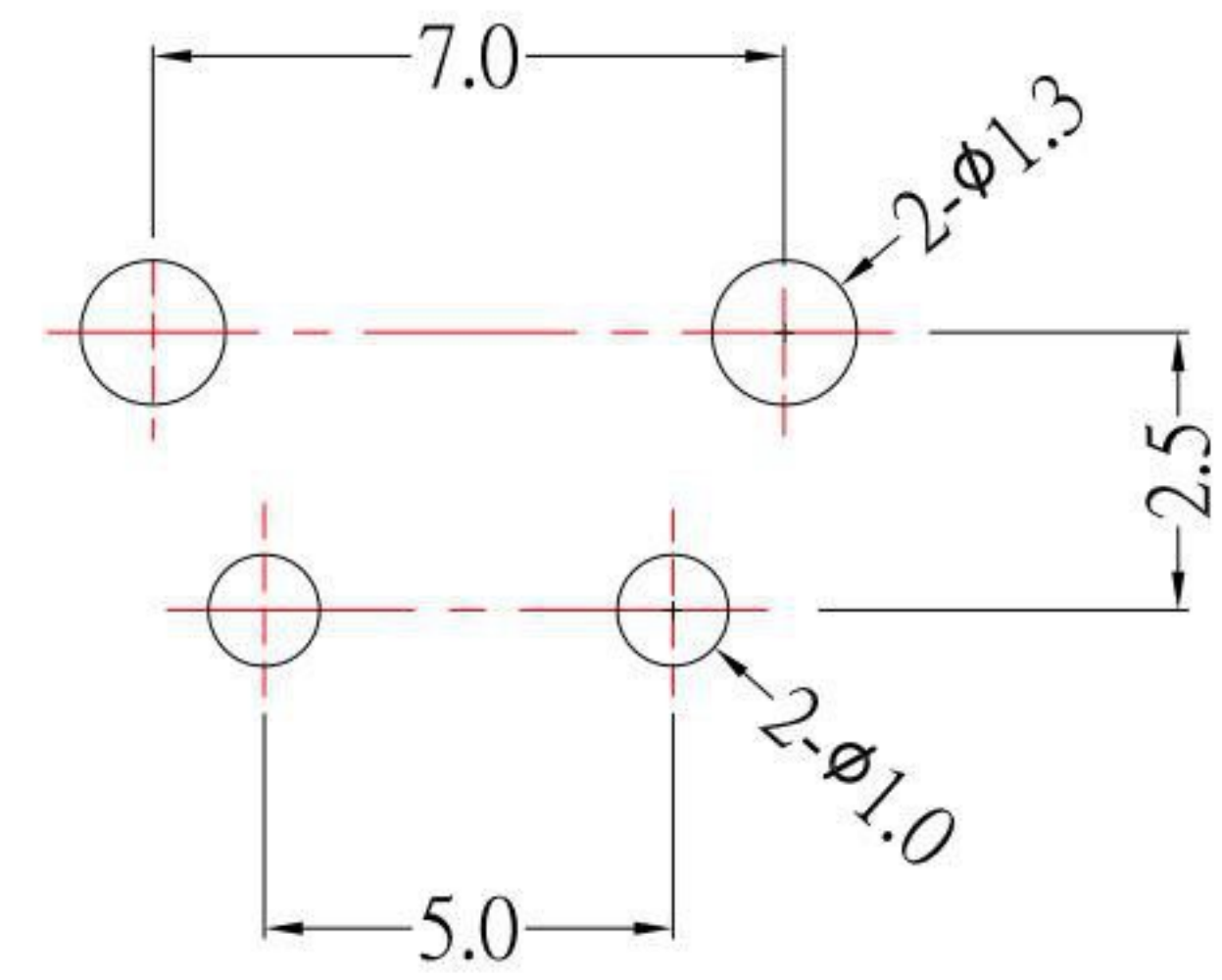
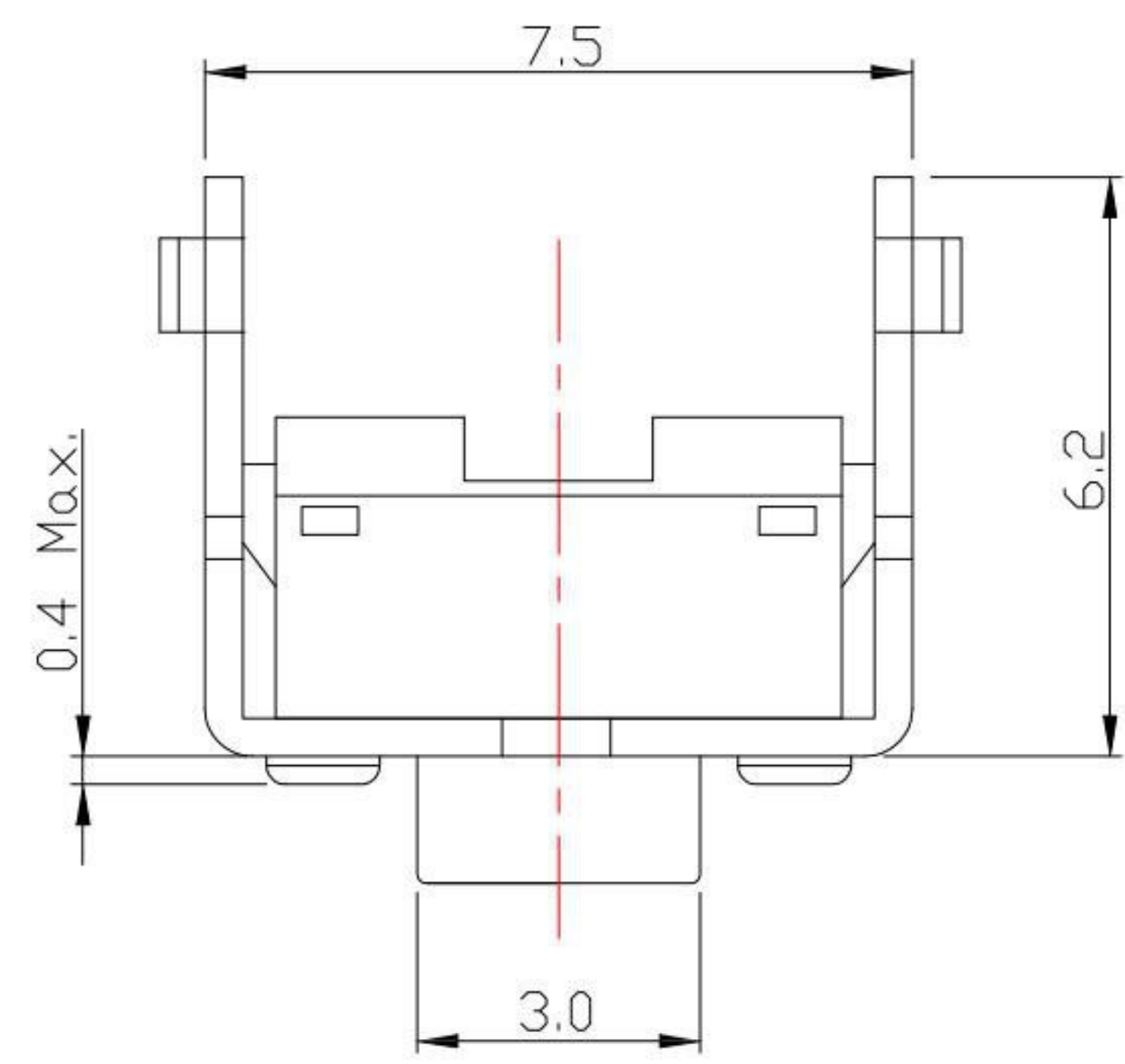


CIRCUIT DIAGRAM

PRODUCT IMAGE



| MODEL No | L (mm) |
|----------|--------|
| TS-A01V | 3.15 |
| TS-A01VA | 3.85 |



PCB LAYOUT MOUNTING PATTERN

SPECIFICATIONS

| | |
|-------------------------|--|
| Rating | DC 12V 50mA Max. |
| Contact Resistance | 100mΩ Max. |
| Travel | 0.25 ± 0.1mm |
| Operating Force | 0 100 ± 30gf 1 130 ± 30gf 2 180 ± 30gf |
| | 3 250 ± 50gf |
| Operating Life (cycles) | 50,000(100±30gf,130 ± 30gf,180 ± 30gf) |
| | 30,000 (250 ± 50gf) |

| ITEM NO. | DESCRIPTION | DRAWN | DATE |
|----------|-------------|---------|--------|
| 6 | 更新樣式 | Jack | 041519 |
| 5 | 更新PIN腳樣式 | Jack | 011119 |
| 4 | 更新圖面 | Jack | 112416 |
| 3 | 新增尺寸 | Jack | 032515 |
| 2 | SPEC更新 | Jack | 031913 |
| 1 | 圖面更新 | FrankWu | 062912 |

KSD 科斯达电子科技有限公司
 SWITCH CONNECTOR KSD ELECTRONIC TECHNOLOGY Co., LTD
 全球 互聯零組件製造企業

TOLERANCE UNLESS OTHERWISE STATED:
 Up to 5 ±0.2
 Above 5 ~ 15 ±0.3
 Above 15 ~ 30 ±0.4
 Above 30 ~ 50 ±0.5
 Angle ±0.3°

3RD. ANGEL'S

UNITS MM

| | | | | |
|--------------|----------|-----------|----------|-----------------|
| DRAWN BY: | DATE | MAT'L | TITLE | SWITCH |
| Jack Lu | 04/15/19 | | | |
| CHECKED BY: | DATE | FINISH | MODLE | TACT SWITCH |
| Jacky Chen | 04/15/19 | | | |
| APPROVED BY: | DATE | SCALE | DWG NO. | TS-A01Vx-x-S126 |
| Tony Kao | 04/15/19 | 1 : 1 | | |
| | | SHEET NO. | PART NO. | TS-A01Vx-x-S126 |
| | | 1 of 1 | | |
| | | | | SIZE A4 |
| | | | | VER R6 |