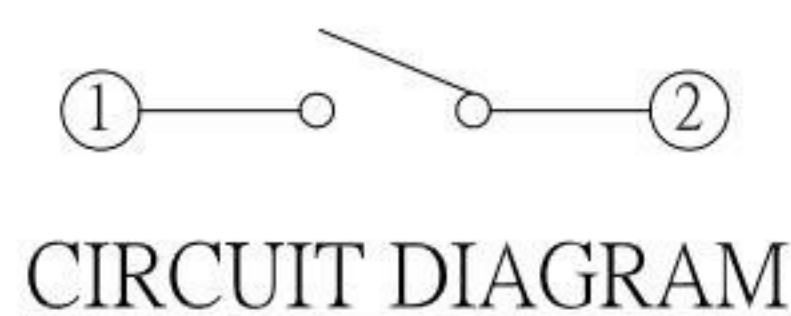
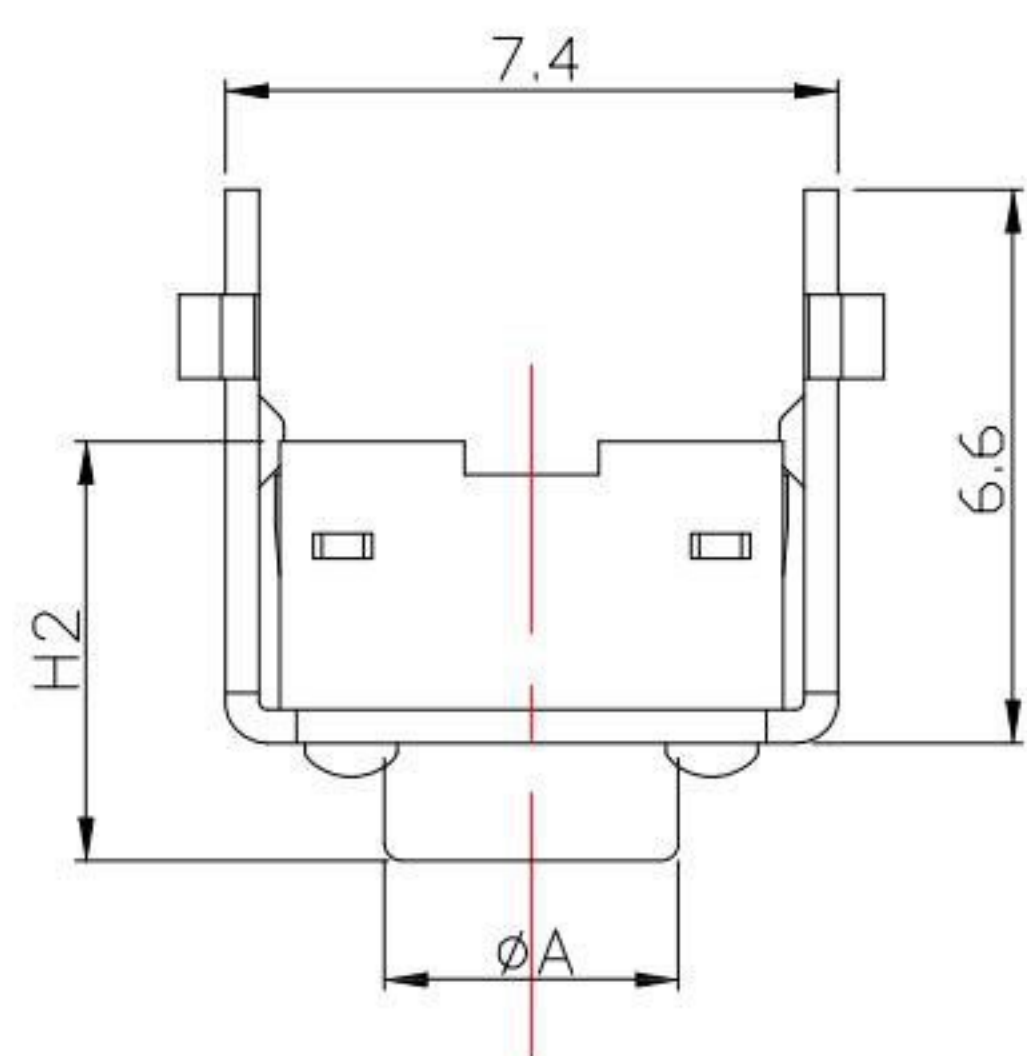


P.C.B LAYOUT MOUNTING PATTERN

TS-A02V_{x-x}-S126

MODEL No ——— Operating Force



SPECIFICATION

Rating	DC 12V 50mA Max.		
Contact Resistance	100mΩ Max.		
Travel	0.25 ± 0.1mm		
Operating Force	1 130 ± 30gf	2 160 ± 50gf	3 250 ± 50gf
Operating Life (cycles)	100,000		

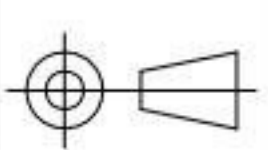
NO.	DESCRIPTION	QTY	MATERIAL	PLATING
E	TERMINAL	2	BRASS	Ag plated
D	CONTACT	1	SUS	Ag plated
C	COVER	1	SPCC	Tin plated
B	CASE	1	PA6T	
A	STEM	1	PA6T	

MODEL NO.	TS-A02V	TS-A02VL	TS-A02VA	TS-A02VAL	TS-A02VQ	TS-A02VQL	TS-A02VB	TS-A02VE	TS-A02VR	TS-A02VC	TS-A02VCL	TS-A02VDS	TS-A02VD	TS-A02VY	TS-A02VYL	TS-A02VW	TS-A02VFL	TS-A02VF	TS-A02VK	TS-A02VG	TS-A02VOL	TS-A02VZ	TS-A02VZL	TS-A02VJ	TS-A02VH	TS-A02VDY
H1 (mm)	3.15	3.35	3.85	4.35	4.85	5.35	5.85	6.15	6.35	6.85	7.35	7.85	8.35	8.85	9.35	9.85	10.85	11.35	11.85	12.35	13.35	13.85	14.85	15.15	15.85	18.15
H2 (mm)	4.30	4.50	5.00	5.50	6.00	6.50	7.00	7.30	7.50	8.00	8.50	9.00	9.50	10.00	10.50	11.00	12.00	12.50	13.00	13.50	14.50	15.00	16.00	16.30	17.00	19.30
øA (mm)	3.50	3.50	3.50	3.40	3.40	3.40	3.40	3.40	3.40	3.40	3.40	3.40	3.40	3.00	3.00	3.00	3.00	3.00	3.00	3.00	3.00	3.00	3.00	3.00	3.00	3.00

KSD 科斯达电子科技有限公司
 SWITCH CONNECTOR KSD ELECTRONIC TECHNOLOGY Co., LTD
 全球 互聯零組件製造企業

TOLERANCE UNLESS OTHERWISE STATED:
 Up to 5 ±0.2
 Above 5 ~ 15 ±0.3
 Above 15 ~ 30 ±0.4
 Above 30 ~ 50 ±0.5
 Angle ±0.3°

3RD. ANGEL'S



UNITS MM

DRAWN BY: Jack Lu DATE: 08/04/22
 CHECKED BY: Jacky Chen DATE: 08/04/22
 APPROVED BY: Tony Kao DATE: 08/04/22

MAT'L	TITLE	SWITCH
FINISH	MODLE	TACT SWITCH
SCALE 1:1	DWG NO.	TS-A02V _{x-x} -S126
SHEET NO. 1 of 1	PART NO.	TS-A02V _{x-x} -S126

ITEM NO.	DESCRIPTION	DRAWN	DATE
3	更新CONTACT材質及COVER鍍層	Jack	080422
2	更新COVER鍍層	Jack	120321
1	新增選項	Jack	102820

SIZE A4
 VER R3