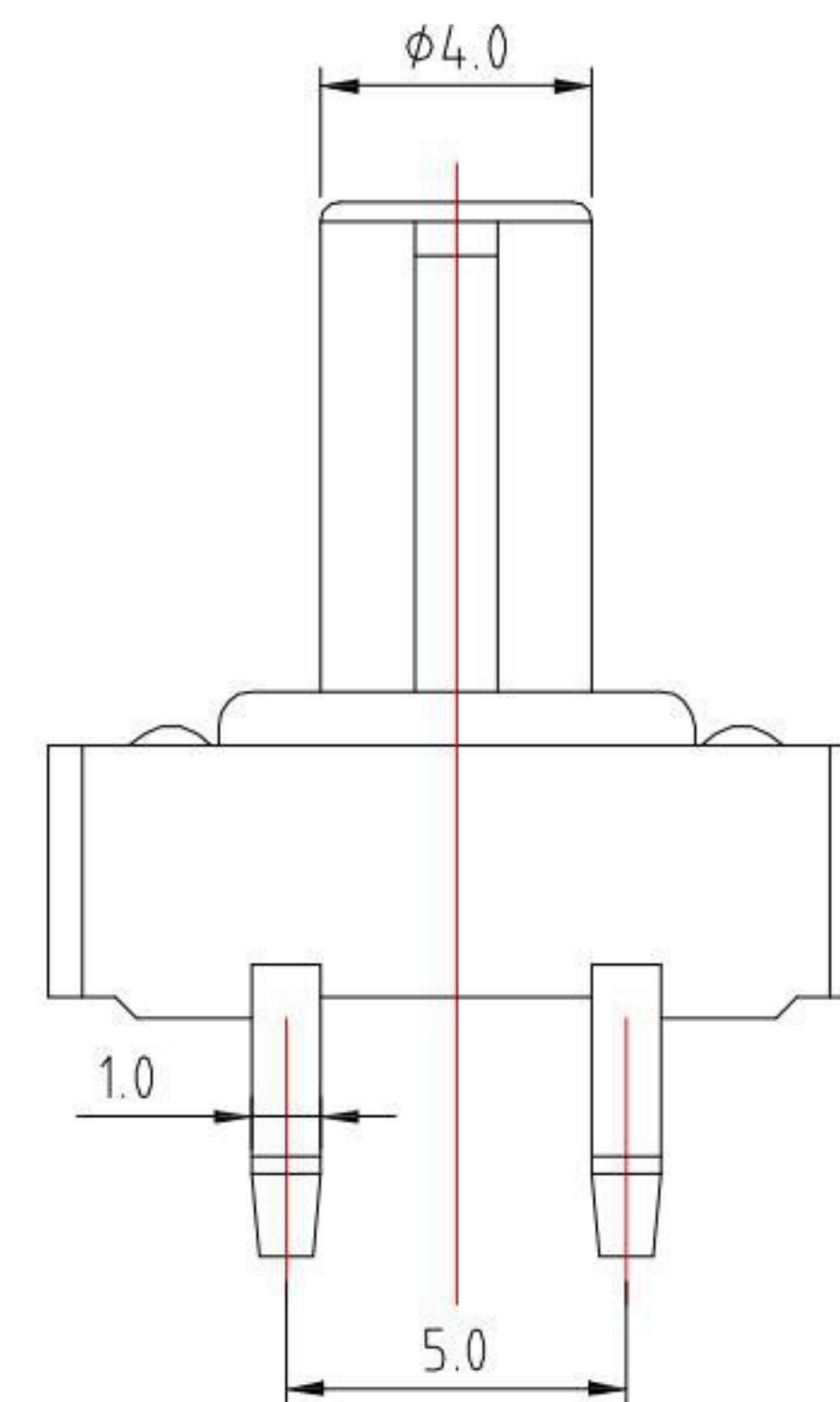
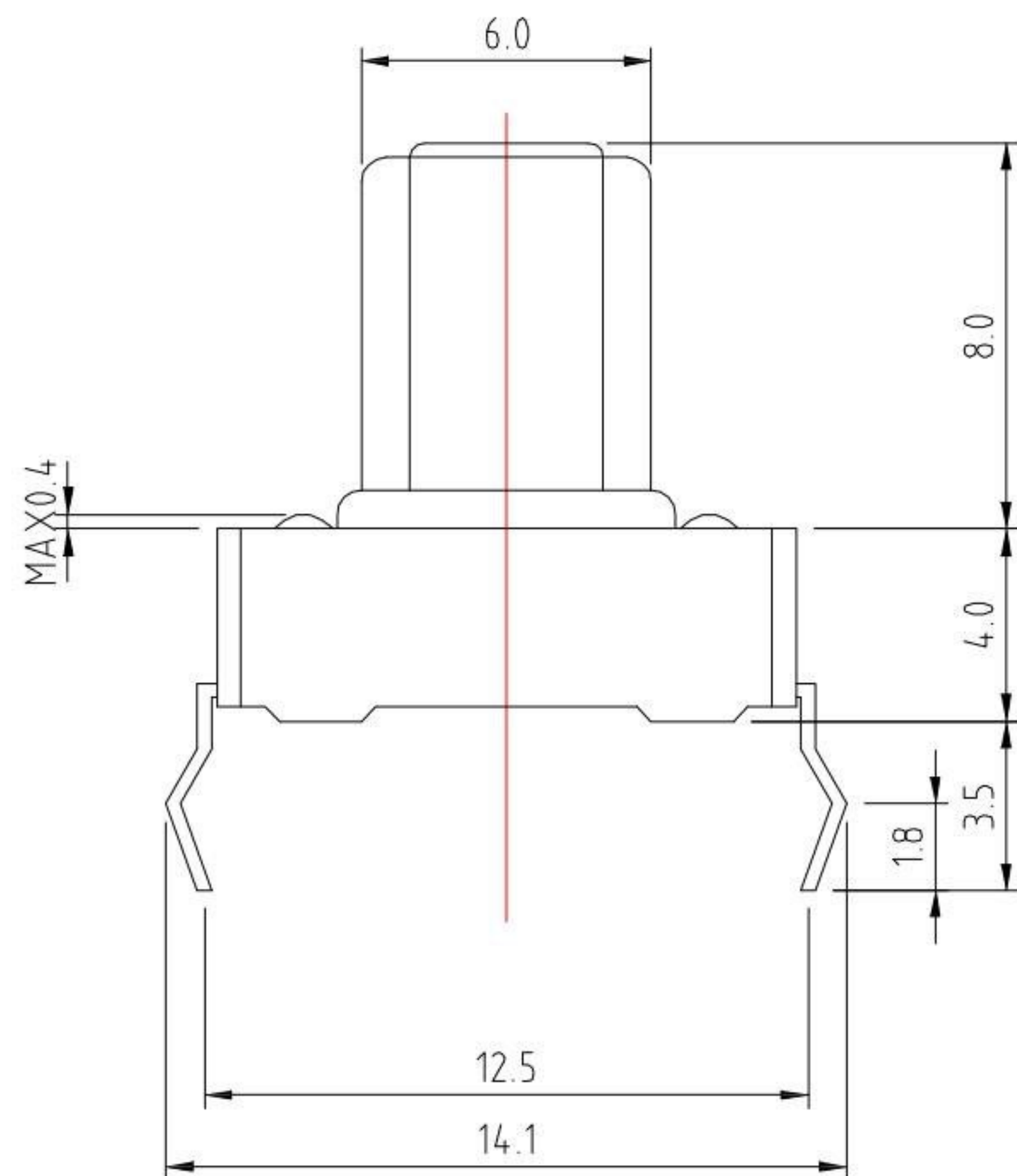


P.C.B. LAYOUT MOUNTING PATTERN

CIRCUIT DIAGRAM



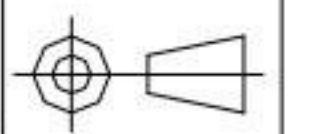
SPECIFICATIONS

Rating	DC 12V 50mA Max.	
Contact Resistance	100mΩ Max.	
Travel	0.3 ± 0.15mm	
Operating Force	2 160 ± 50gf	3 250 ± 50gf
Operating Life (cycles)	100,000	80,000

KSD 科斯达电子科技有限公司
 SWITCH CONNECTOR KSD ELECTRONIC TECHNOLOGY Co., LTD
 全球 互聯零組件製造企業

TOLERANCE UNLESS OTHERWISE STATED:
 Up to 5 ±0.2
 Above 5 ~ 15 ±0.3
 Above 15 ~ 30 ±0.4
 Above 30 ~ 50 ±0.5
 Angle ±0.3°

3RD. ANGEL'S



UNITS MM

DRAWN BY: Jack Lu DATE: 11/20/14
 CHECKED BY: Jacky Chen DATE: 11/20/14
 APPROVED BY: Tony Kao DATE: 11/20/14

MAT'L		TITLE	SWITCH
FINISH		MODLE	TACT SWITCH
SCALE	1 : 1	DWG NO.	TS-A03A-x-S090
SHEET NO.	1 of 1	PART NO.	TS-A03A-x-S090

SIZE A4
 VER R