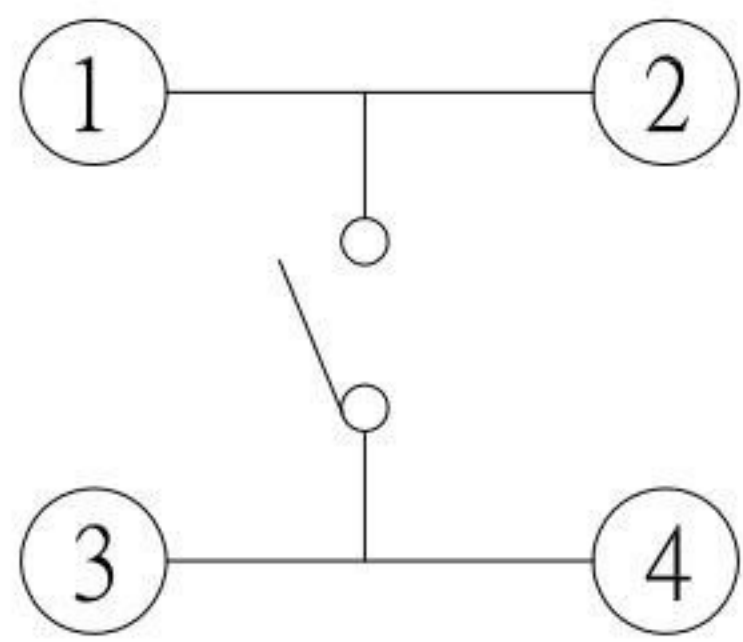
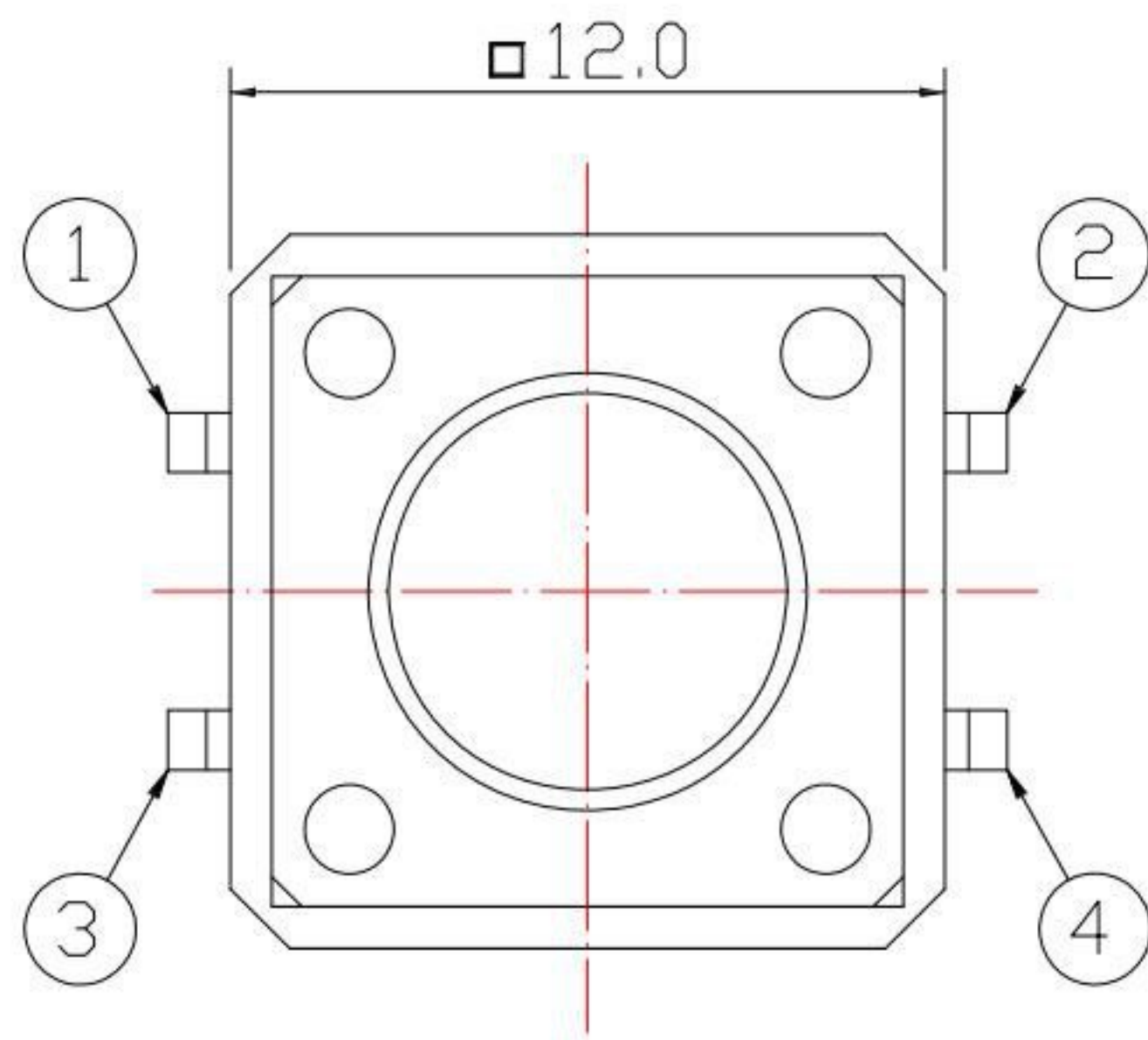


PCB LAYOUT MOUNTING PATTERN



CIRCUIT DIAGRAM

SPECIFICATIONS

Rating	DC 12V 50mA		
Contact Resistance	100mΩ Max.		
Travel	0.30 ± 0.1mm		
Operating Force	1 130±30gf	2 160±50gf	3 250±50gf
Operating Life(cycles)	100,000		

MODEL NO.	TS-A03	TS-A03I	TS-A03J	TS-A03K	TS-A03B	TS-A03L	TS-A03M	TS-A03N	TS-A03P	TS-A03G	TS-A03Y	TS-A03D	TS-A03Q	TS-A03Z
L (mm)	4.3	5.0	6.0	7.0	7.5	8.0	8.5	9.0	9.5	10.0	11.0	12.0	13.0	15.0
ØA (mm)	6.8	6.8	6.7	6.7	6.7	6.6	6.6	6.6	6.6	6.0	6.0	6.0	6.0	6.0

NO.	DESCRIPTION	QTY	MATERIAL	PLATING
E	TERMINAL	4	BRASS	Ag plated
D	CONTACT	1	SUS	Ag plated
C	COVER	1	BRASS	Ni plated
B	CASE	1	PA6T	
A	STEM	1	PA6T	

6	更新樣式	Jack	021623
5	刪除高度14.0的選項	Jack	012422
4	新增高選項10,11,13,14,15	Jack	050721
3	新增材質表	Jack	080420
2	更新圖面	Jack	071715
1	新增高選項4.3	Jack	122713
ITEM NO.	DESCRIPTION	DRAWN	DATE

**KSD** 科斯达电子科技有限公司  
 SWITCH CONNECTOR KSD ELECTRONIC TECHNOLOGY Co., LTD  
 全球 互聯零組件製造企業

TOLERANCE UNLESS OTHERWISE STATED:  
 Up to 5 ±0.2  
 Above 5 ~ 15 ±0.3  
 Above 15 ~ 30 ±0.4  
 Above 30 ~ 50 ±0.5  
 Angle ±0.3°

3RD. ANGEL'S

UNITS MM

DRAWN BY:	DATE	MAT'L	TITLE	SWITCH
Jack Lu	02/16/23	FINISH	MODLE	TACT SWITCH
CHECKED BY:	DATE	SCALE	DWG NO.	TS-A03x-x-S126
Jacky Chen	02/16/23	SHEET NO.	PART NO.	TS-A03x-x-S126
APPROVED BY:	DATE			
Tony Kao	02/16/23			