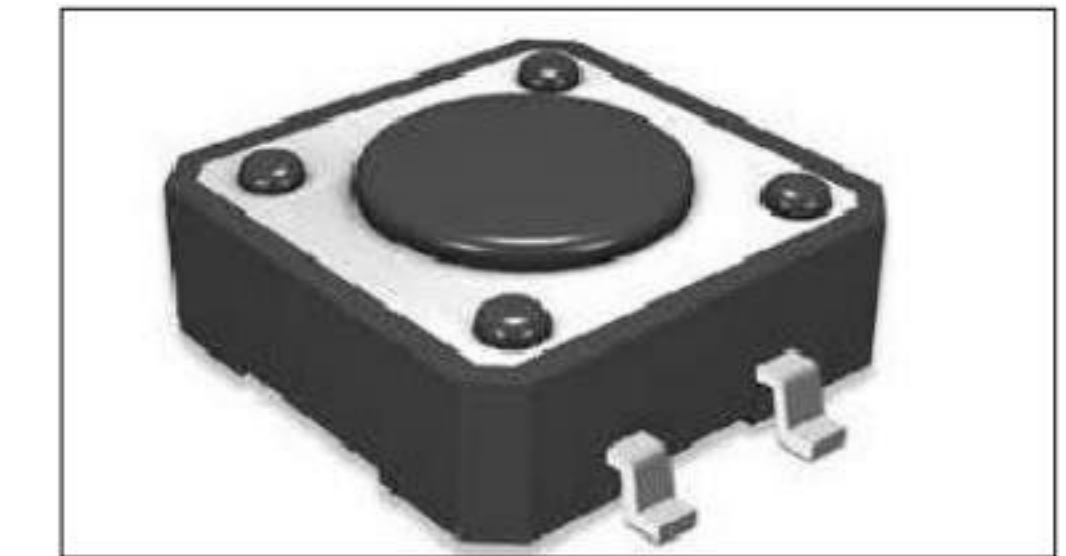
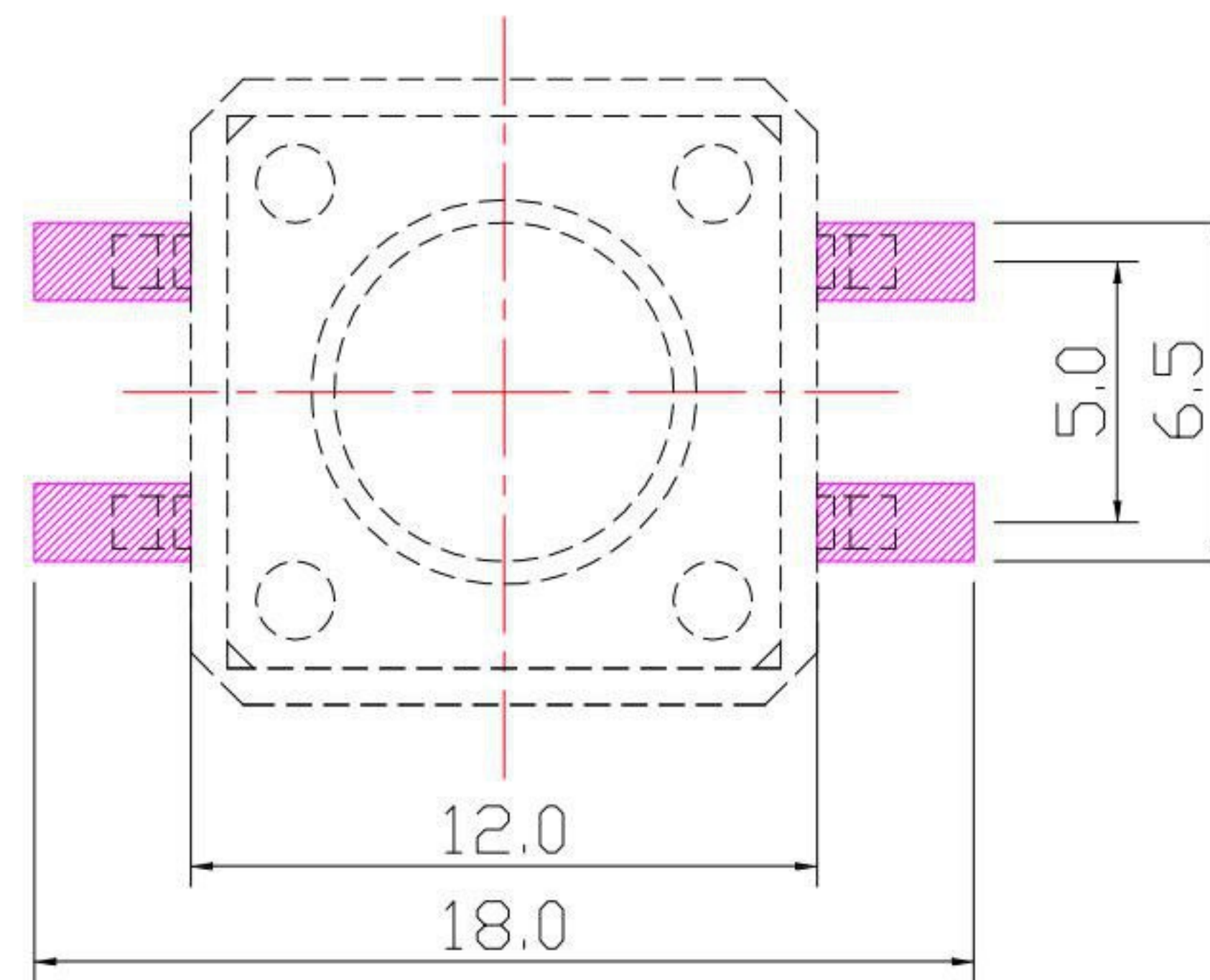
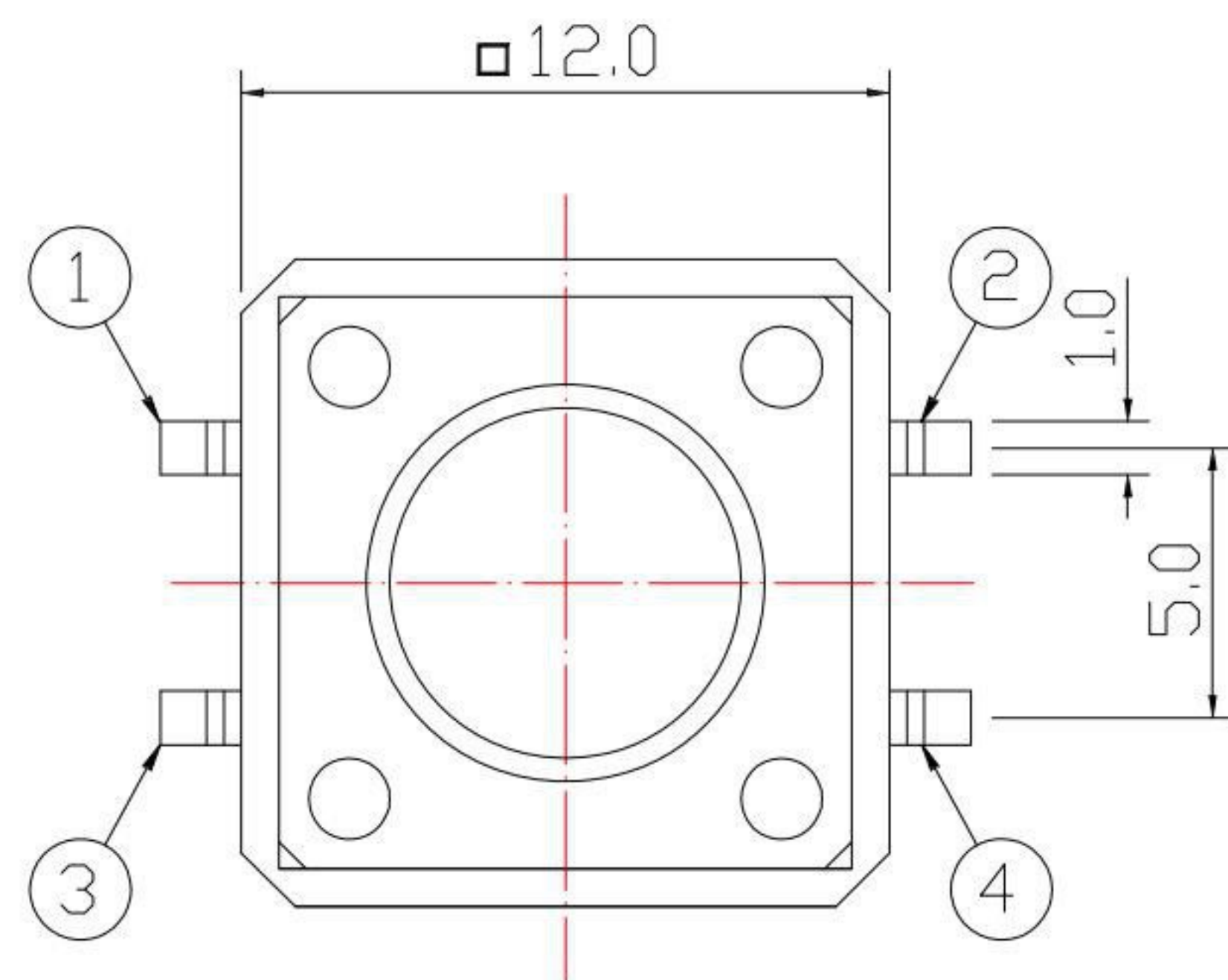


CIRCUIT DIAGRAM



MODEL NO.	TS-A03S	TS-A03SB	TS-A03SD
L (mm)	4.3	7.5	12.0
φA (mm)	6.8	6.7	6.0



PCB LAYOUT MOUNTING PATTERN

SPECIFICATIONS

Rating	DC 12V 50mA	
Contact Resistance	100mΩ Max.	
Travel	0.30 ± 0.15mm	
Operating Force	2 160±50gf	3 250±50gf
Operating Life(cycles)	100,000	

KSD 科斯达电子科技有限公司
 SWITCH CONNECTOR KSD ELECTRONIC TECHNOLOGY Co., LTD
 全球 互 联 零 组 件 制 造 企 业

TOLERANCE UNLESS OTHERWISE STATED:
 Up to 5 ±0.2
 Above 5 ~ 15 ±0.3
 Above 15 ~ 30 ±0.4
 Above 30 ~ 50 ±0.5
 Angle ±0.3°

3RD. ANGEL'S
 UNITS MM

DRAWN BY: Jack Lu
 CHECKED BY: Jacky Chen
 APPROVED BY: Tony Kao
 DATE: 11/30/15

MAT'L	TITLE	SWITCH
FINISH	MODLE	TACT SWITCH
SCALE 1:1	DWG NO.	TS-A03Sx-x-S126
SHEET NO. 1 of 1	PART NO.	TS-A03Sx-x-S126

ITEM NO.	DESCRIPTION	DRAWN	DATE
2	更新料號	Jack	113015
1	更新Travel	Jack	060514

SIZE A4
 VER R2