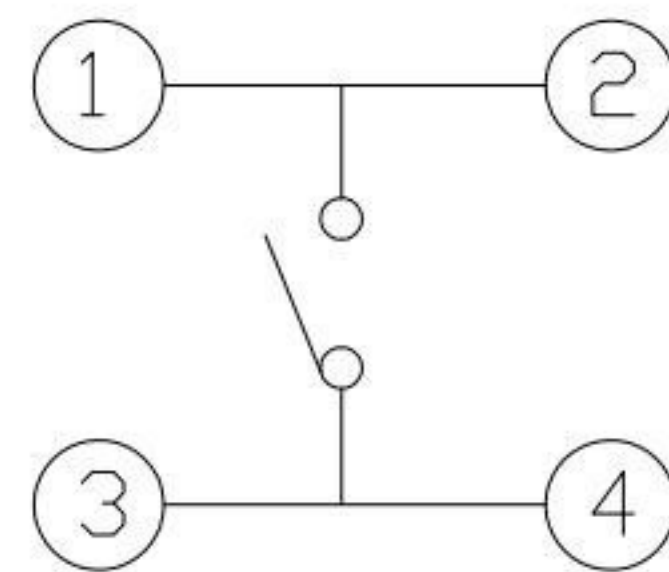
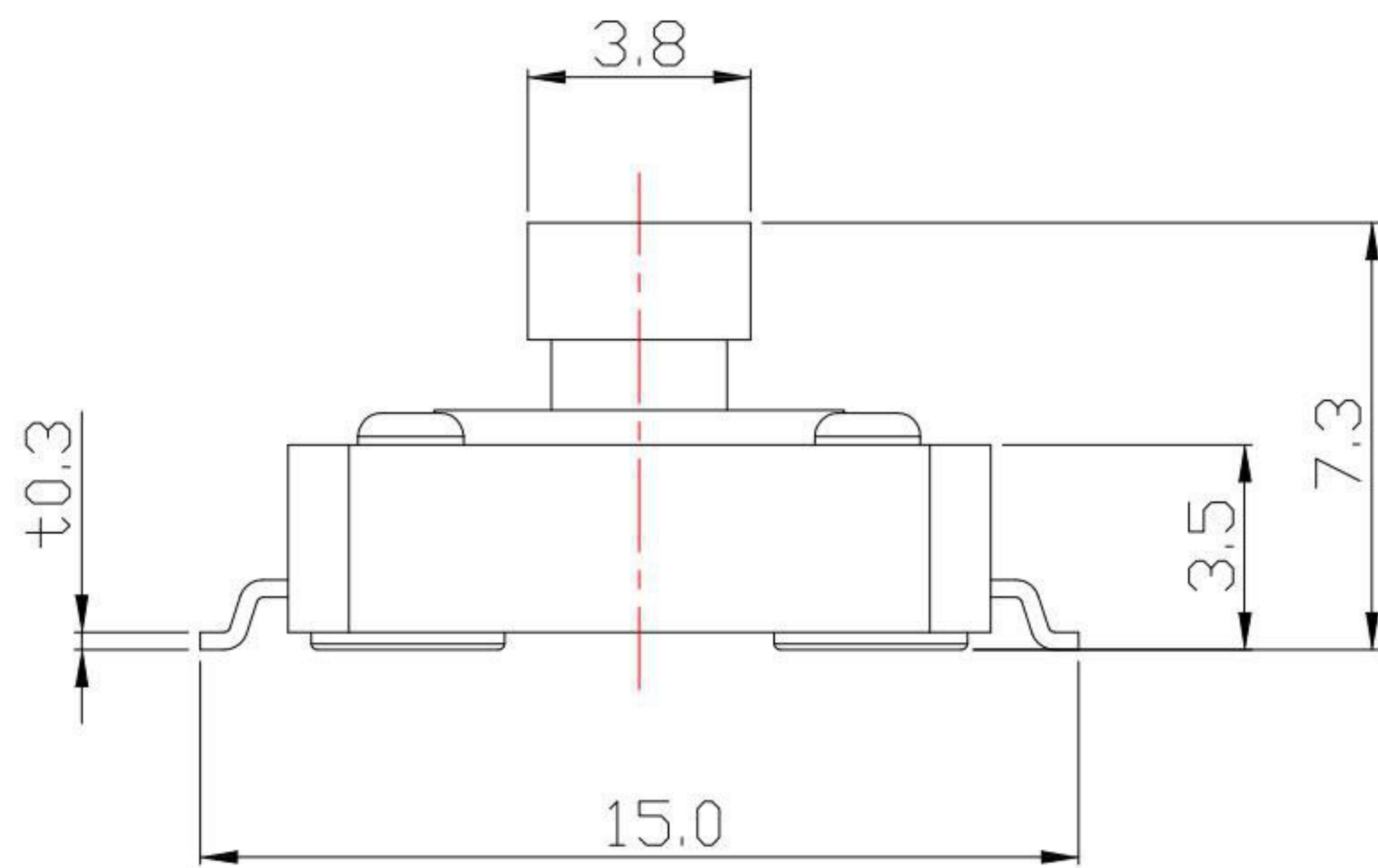


PCB LAYOUT MOUNTING PATTERN



CIRCUIT DIAGRAM

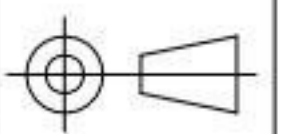
SPECIFICATIONS

Rating	DC 12V 50mA	
Contact Resistance	100mΩ Max.	
Travel	0.3 ± 0.1mm	
Operating Force	2 160±50gf	3 250±50gf
Operating Life(cycles)	100,000	

KSD 科斯达电子科技有限公司
 SWITCH CONNECTOR KSD ELECTRONIC TECHNOLOGY Co., LTD
 全球 互联零组件制造企业

TOLERANCE UNLESS OTHERWISE STATED:
 Up to 5 ±0.2
 Above 5 ~ 15 ±0.3
 Above 15 ~ 30 ±0.4
 Above 30 ~ 50 ±0.5
 Angle ±0.3°

3RD. ANGEL'S



UNITS MM

DRAWN BY: Jack Lu
 CHECKED BY: Jacky Chen
 APPROVED BY: Tony Kao
 DATE: 01/06/16

MAT'L
 FINISH
 SCALE: 1:1
 SHEET NO.: 1 of 1
 TITLE: SWITCH
 MODLE: TACT SWITCH
 DWG NO.: TS-A03ST-x-S126
 PART NO.: TS-A03ST-x-S126

SIZE: A4
 VER: R

ITEM NO.	DESCRIPTION	DRAWN	DATE