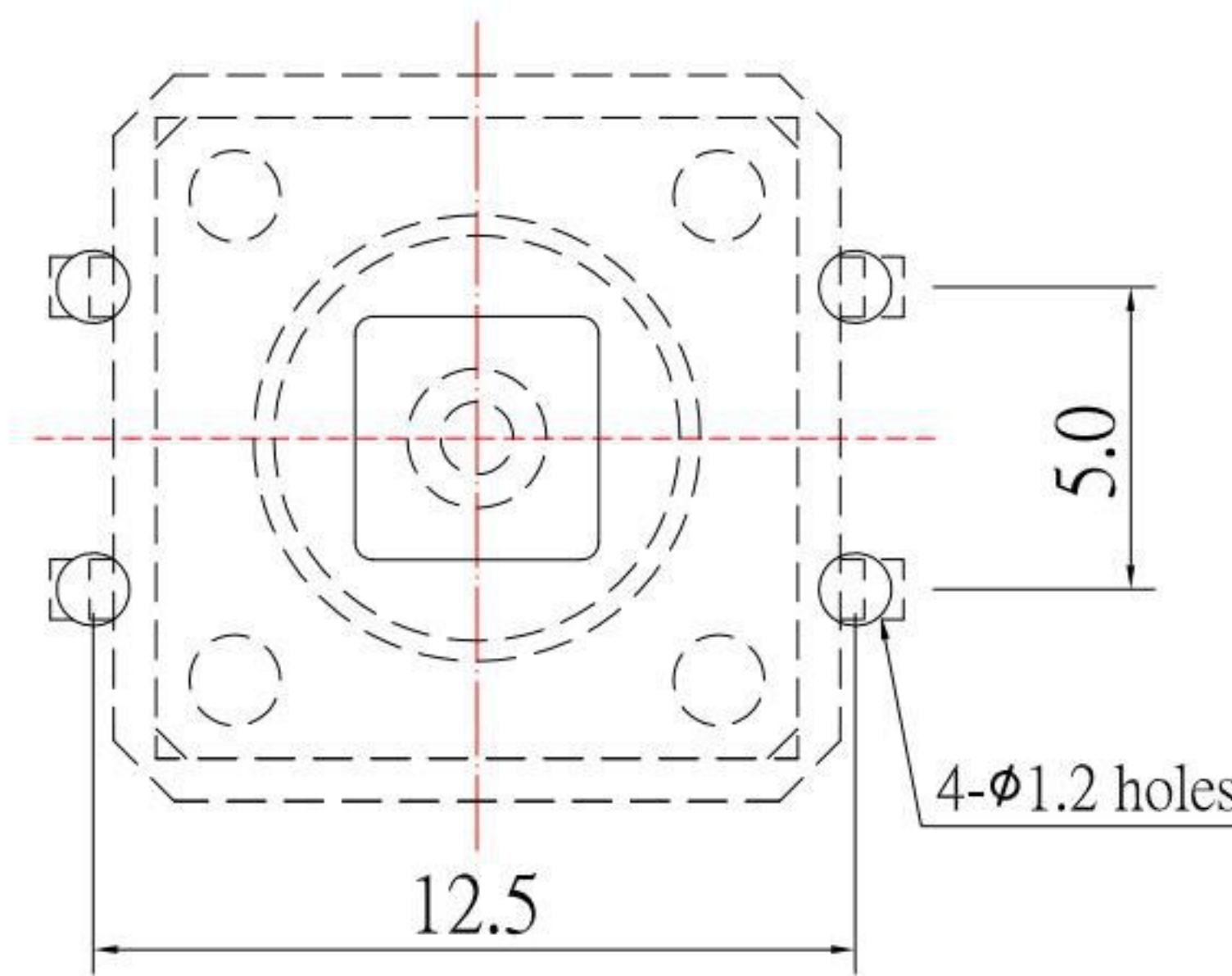
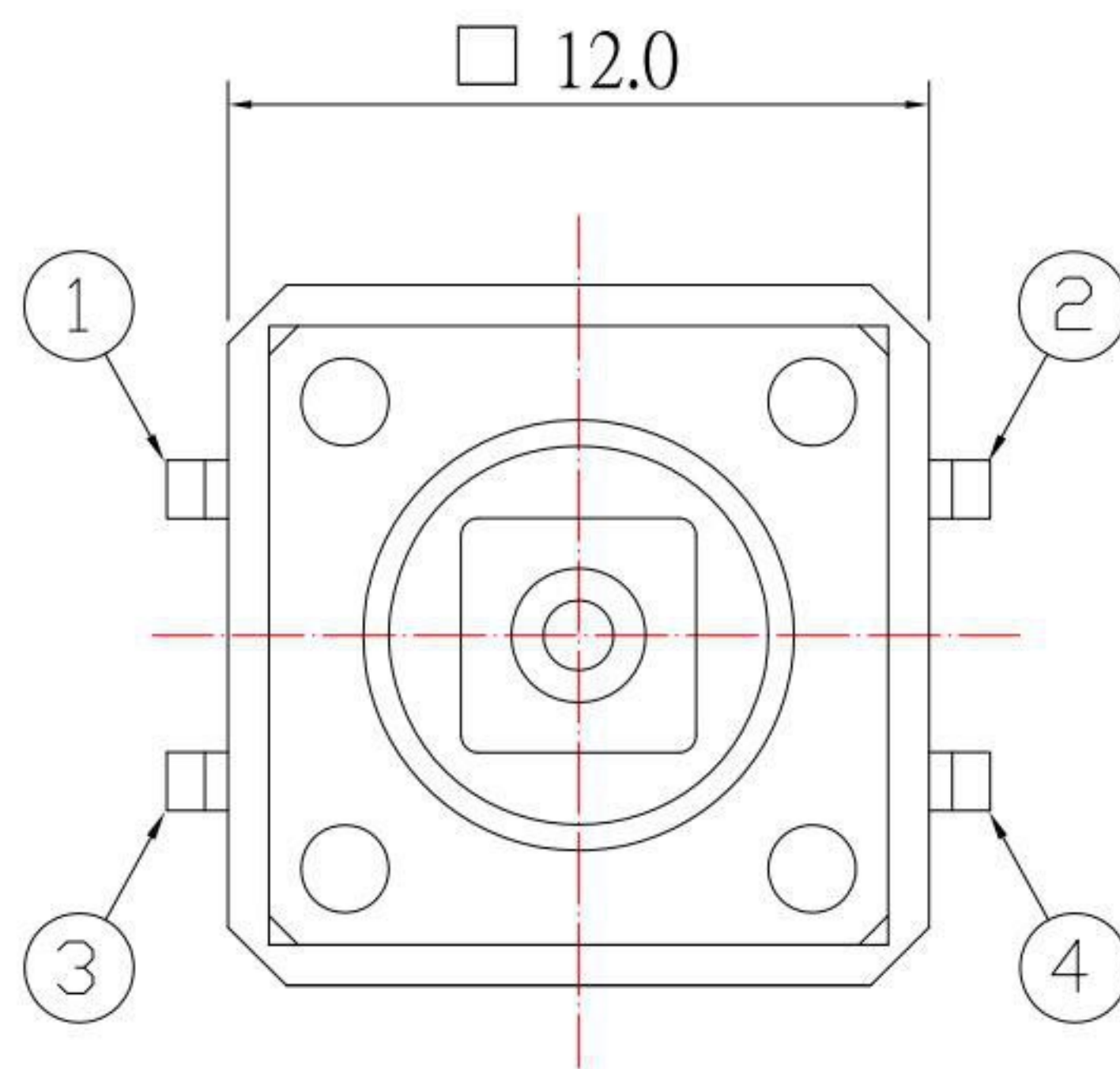


CIRCUIT DIAGRAM

SPECIFICATIONS

Rating	DC 12V 50mA
Contact Resistance	100mΩ Max.
Travel	0.25 ± 0.1mm
Operating Force	2 160±50gf 3 260±50gf
Operating Life(cycles)	100,000



PCB LAYOUT MOUNTING PATTERN

KSD 科斯达电子科技有限公司
 SWITCH CONNECTOR KSD ELECTRONIC TECHNOLOGY Co., LTD
 全球 互联零组件制造企业

TOLERANCE UNLESS OTHERWISE STATED:
 Up to 5 ±0.2
 Above 5 ~ 15 ±0.3
 Above 15 ~ 30 ±0.4
 Above 30 ~ 50 ±0.5
 Angle ±0.3

3RD. ANGEL'S

UNITS MM

DRAWN BY:	DATE	MAT'L	TITLE	SWITCH
Jack Lu	11/24/14			
CHECKED BY:	DATE	FINISH	MODLE	TACT SWITCH
Jacky Chen	11/24/14			
APPROVED BY:	DATE	SCALE	DWG NO.	TS-A03T-x-S126
Tony Kao	11/24/14	1 : 1		
		SHEET NO.	PART NO.	TS-A03T-x-S126
		1 of 1		

ITEM NO.	DESCRIPTION	DRAWN	DATE

SIZE A4
 VER R