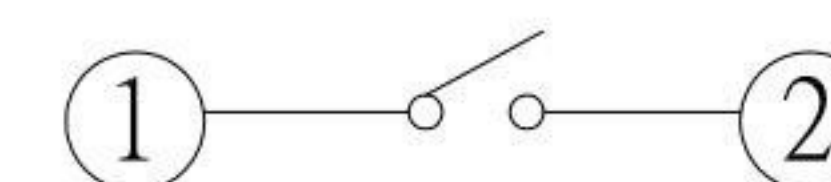
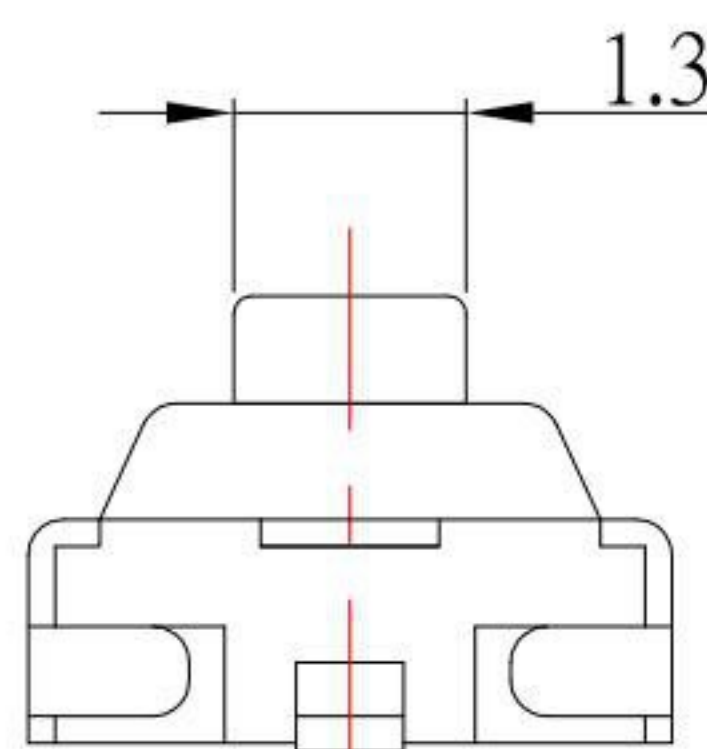
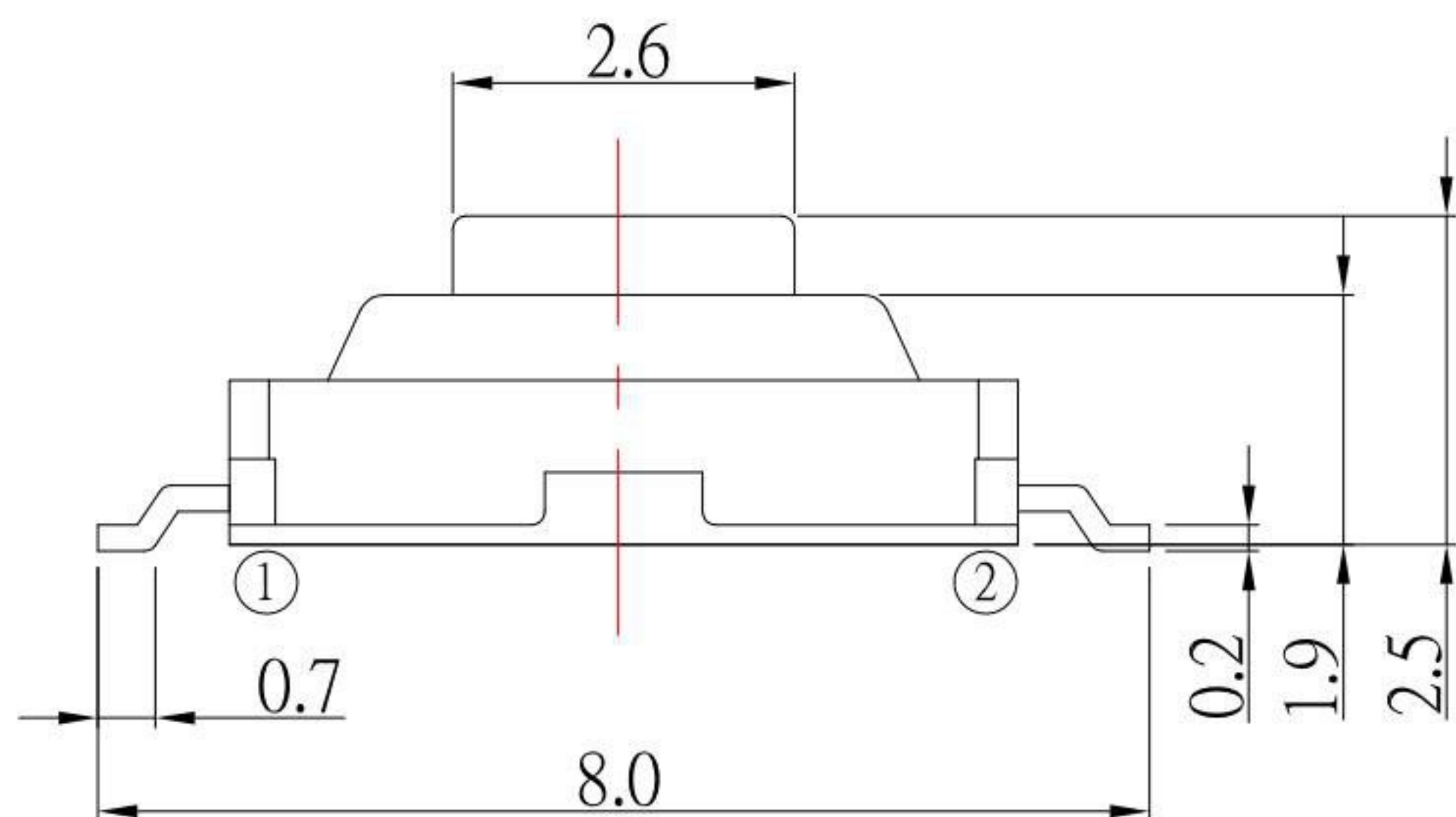


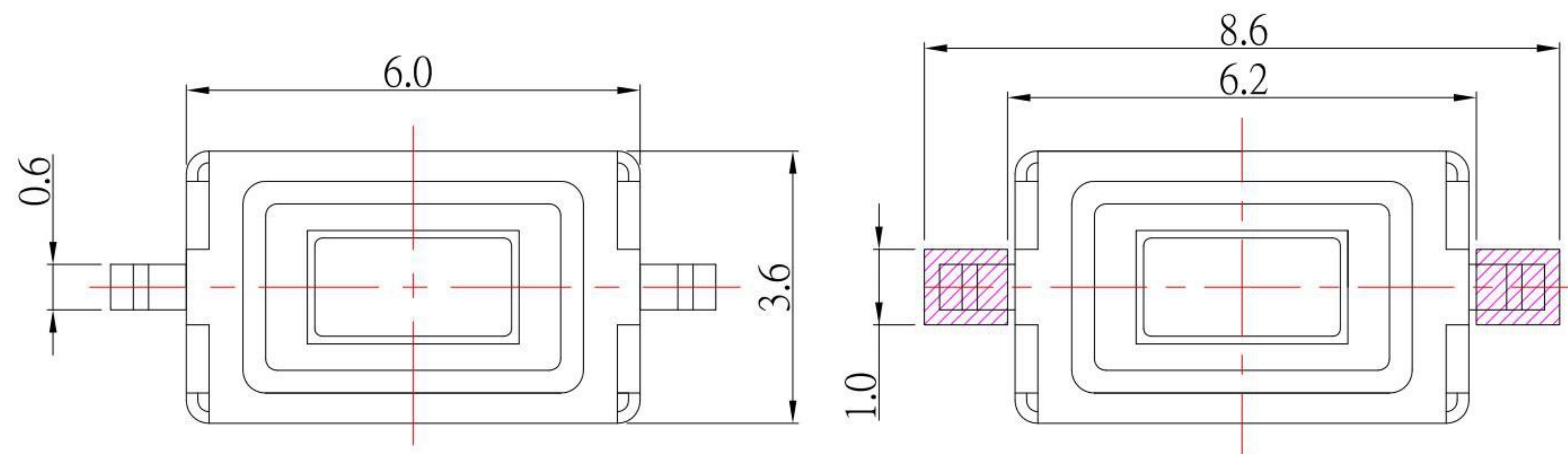


TS-A07GS-x-x-S126

| | | | | |
|-----------------|--------|---|------------|------------|
| Operating Force | Color: | W | Case:White | Knob:White |
| | | R | Case:Black | Knob:Red |



CIRCUIT DIAGRAM



P.C.B MOUNTING PATTERN DIMENSION
The following soldering patterns are recommended for reflow soldering

SPECIFICATIONS

| | | | |
|------------------------|--------------|--------------|--------------|
| Rating | DC 12V 50mA | | |
| Contact Resistance | 100mΩ Max. | | |
| Travel | 0.25 ± 0.1mm | | |
| Operating Force | 1 130±30gf | 2 160±30gf | 3 250±50gf |
| Operating Life(cycles) | 50,000 | | 30,000 |

| | | | | | | | | | | |
|--|-------------|-------|--------|--------------|----------|-----------|----------|-------------------|--------|-------------|
| 科斯达电子科技有限公司 SWITCH CONNECTOR 全球 互联零组件制造企业 KSD ELECTRONIC TECHNOLOGY Co., LTD | | | | DRAWN BY: | DATE | MAT'L | TITLE | SWITCH | | |
| | | | | Jack Lu | 11/14/14 | | | MODLE | | TACT SWITCH |
| TOLERANCE UNLESS OTHERWISE STATED: Up to 5 ±0.2 Above 5 ~ 15 ±0.3 Above 15 ~ 30 ±0.4 Above 30 ~ 50 ±0.5 Angle ±0.3° | | | | CHECKED BY: | DATE | FINISH | DWG NO. | TS-A07GS-x-x-S126 | SIZE | |
| | | | | Jacky Chen | 11/14/14 | SCALE | | | 1 : 1 | A4 |
| 3RD. ANGEL'S UNITS MM | | | | APPROVED BY: | DATE | SHEET NO. | PART NO. | TS-A07GS-x-x-S126 | VER | |
| | | | | Tony Kao | 11/14/14 | | | | 1 of 1 | R1 |
| 1 | 更新料號 | Jack | 111414 | | | | | | | |
| ITEM NO. | DESCRIPTION | DRAWN | DATE | | | | | | | |