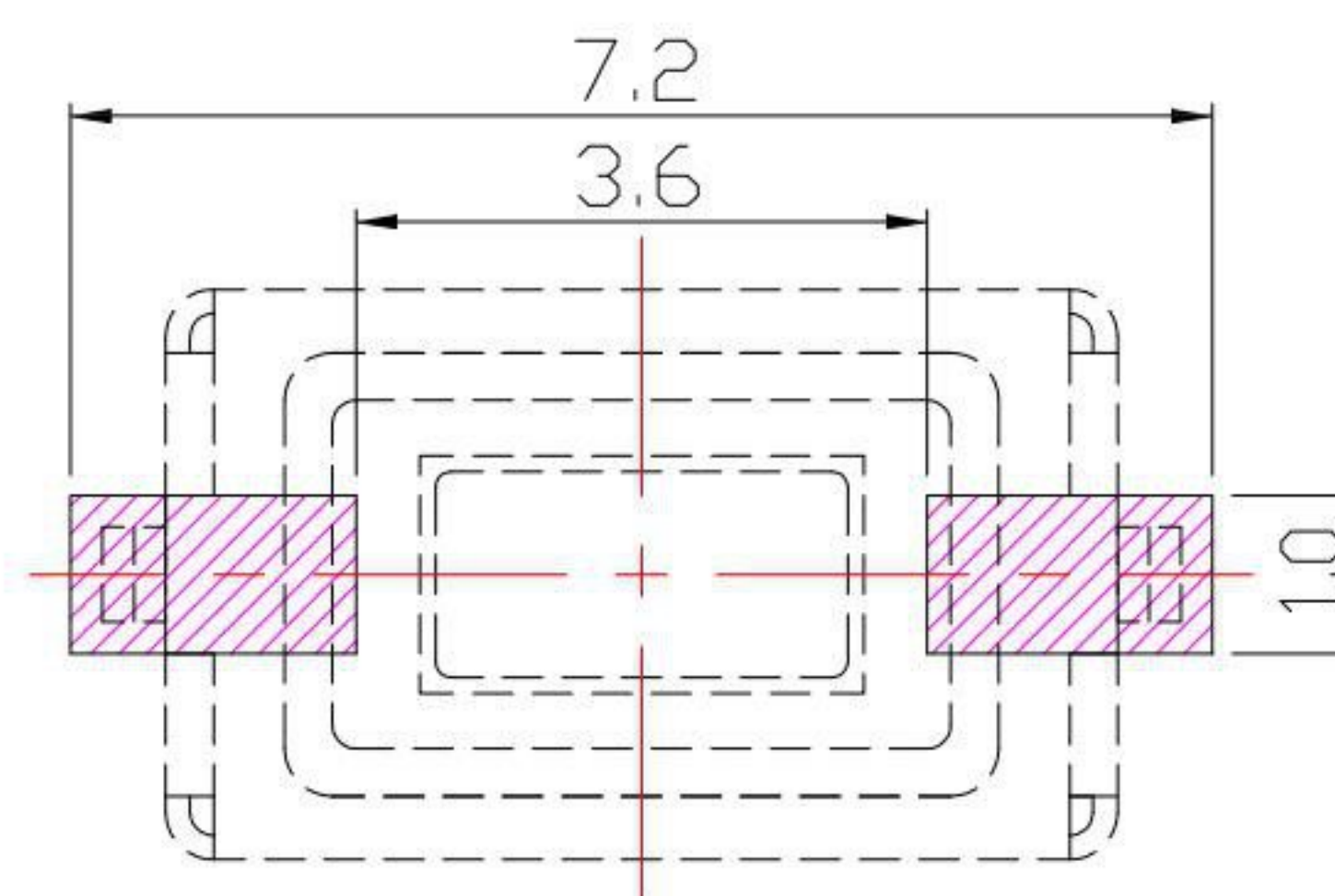
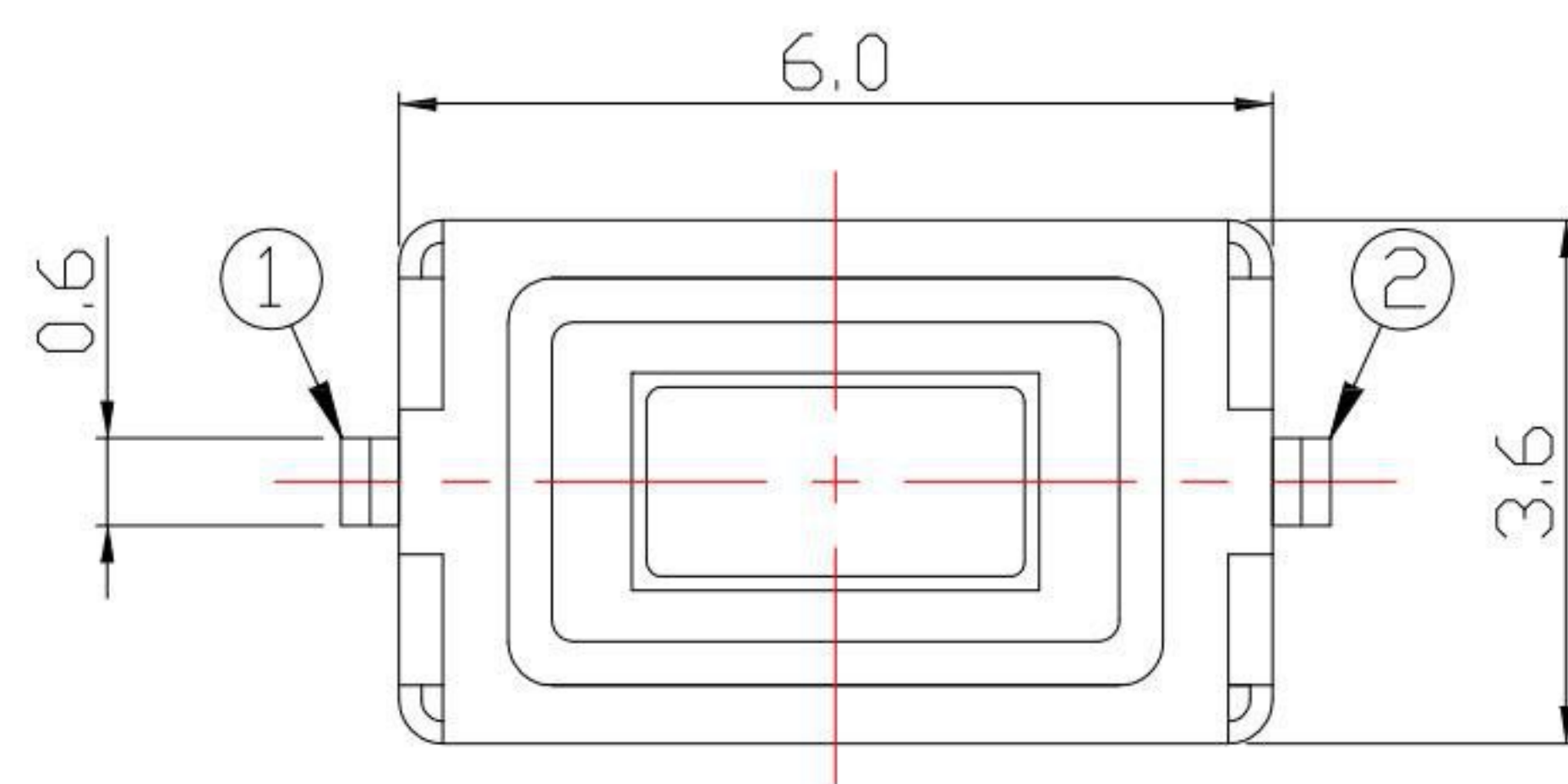


CIRCUIT DIAGRAM



P.C.B MOUNTING PATTERN DIMENSION

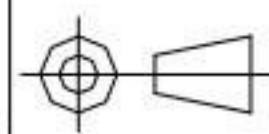
SPECIFICATIONS

Rating	DC 12V 50mA Max.	
Circuit	1C - 1P	
Contact Resistance	100mΩ Max.	
Travel	0.25 ± 0.1mm	
Operating Force	2 160 ± 30gf	3 250 ± 50gf
Operating Life (cycles)	50,000	30,000
Knob / Case	White Color	

KSD 科斯达电子科技有限公司
 SWITCH CONNECTOR KSD ELECTRONIC TECHNOLOGY Co., LTD
 全球 互联零组件制造企业

TOLERANCE UNLESS OTHERWISE STATED:
 Up to 5 ±0.2
 Above 5 ~ 15 ±0.3
 Above 15 ~ 30 ±0.4
 Above 30 ~ 50 ±0.5
 Angle ±0.3°

3RD. ANGEL'S



UNITS MM

DRAWN BY: Jack Lu
 CHECKED BY: Jacky Chen
 APPROVED BY: Tony Kao
 DATE: 11/20/13

MAT'L		TITLE	SWITCH
FINISH		MODLE	TACT SWITCH
SCALE	1 : 1	DWG NO.	TS-A07GU-x-W-S126
SHEET NO.	1 of 1	PART NO.	TS-A07GU-x-W-S126

SIZE A4
 VER R

ITEM NO.	DESCRIPTION	DRAWN	DATE