

P.C.B LAYOUT MOUNTING PATTERN

TS-A09Sx-xx-S126

MODEL NO	Knob (L)
TS-A09S	3.8
TS-A09SA	7.0
TS-A09SB	4.8
TS-A09SC	5.0

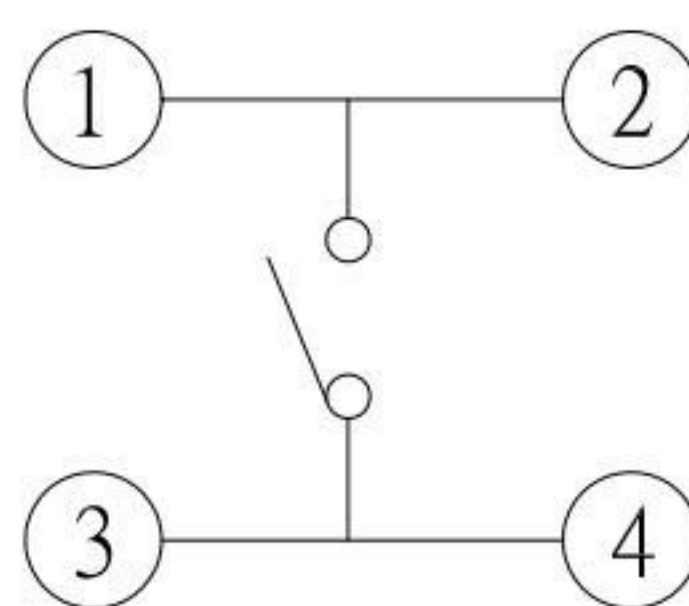
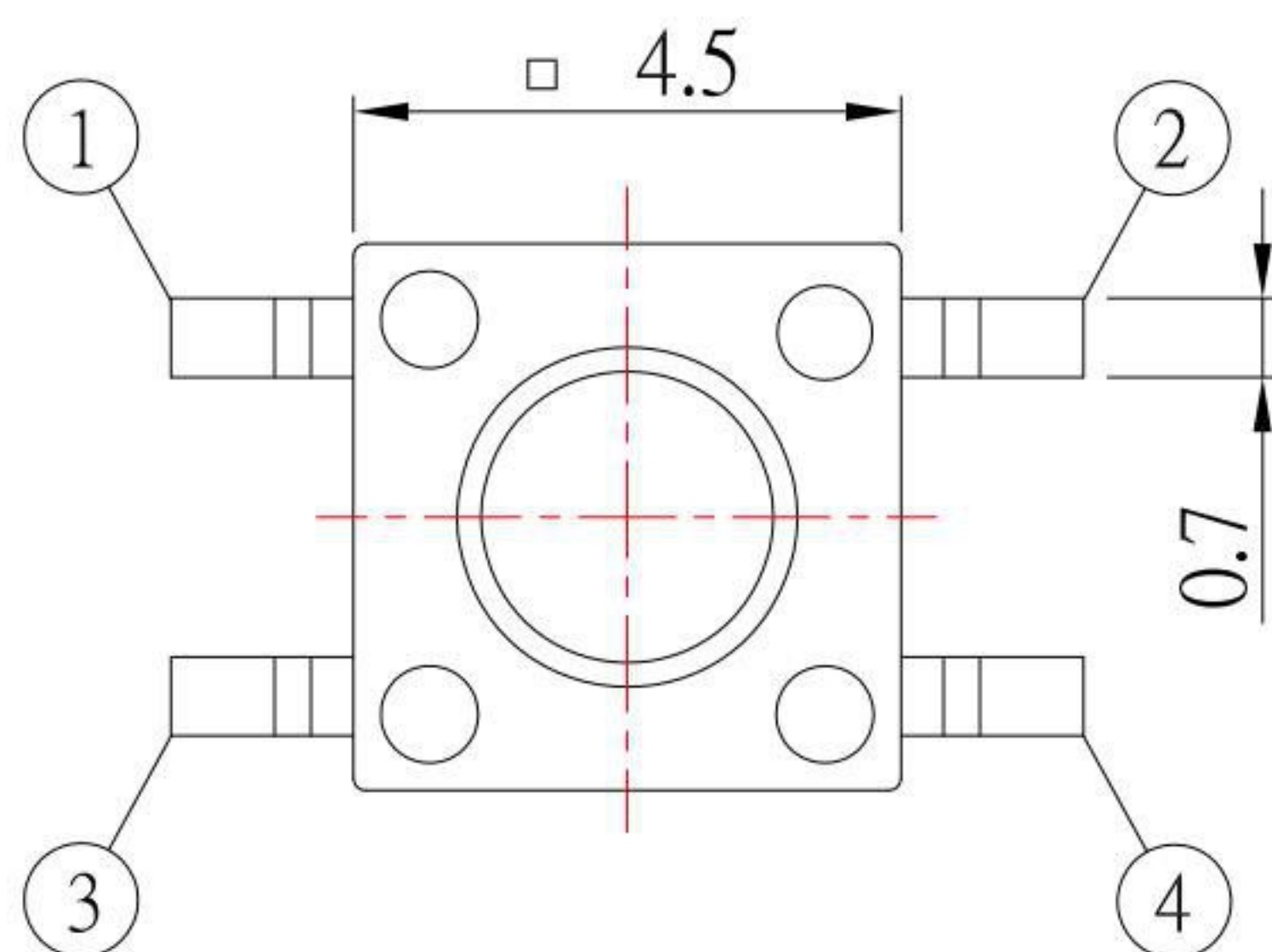
Knob Color :

Black: Blank
Green : GR

Operating Force

SPECIFICATIONS

Rating	DC 12V 50mA Max.										
Contact Resistance	100mΩ Max.										
Travel	0.2 ± 0.1mm										
Operating Force	0	100 ± 30gf	1	130 ± 30gf	2	160 ± 50gf	3	250 ± 50gf	4	320 ± 50gf	
Operating Life (cycles)	100,000							80,000			



CIRCUIT DIAGRAM

NO.	DESCRIPTION	QTY	MATERIAL	PLATING
E	TERMINAL	4	BRASS	Ag plated
D	CONTACT	1	SUS	Ag plated
C	COVER	1	BRASS	Ni plated
B	CASE	1	PA6T	
A	STEM	1	PA6T	

8	更新Travel	Jack	081622
7	更新材質	Jack	090621
6	新增材質表	Jack	080520
5	更新選項代碼	Jack	022020
4	新增選項	Jack	072319
3	更新圖面上的3D圖	LAN	042919
2	新增Operating Force:320±50gf	Jack	081015
1	新增Operating Force:100±30gf	Jack	031714
ITEM NO.	DESCRIPTION	DRAWN	DATE

KSD 科斯达电子科技有限公司
SWITCH CONNECTOR KSD ELECTRONIC TECHNOLOGY Co., LTD
全球 互聯零組件製造企業

TOLERANCE UNLESS OTHERWISE STATED :
Up to 5 ±0.2
Above 5 ~ 15 ±0.3
Above 15 ~ 30 ±0.4
Above 30 ~ 50 ±0.5
Angle ±0.3°

3RD. ANGEL'S
UNITS MM

DRAWN BY:	DATE	MAT'L	TITLE	SWITCH
Jack Lu	08/16/22		MODLE	TACT SWITCH
CHECKED BY:	DATE	FINISH	DWG NO.	TS-A09Sx-xx-S126
Jacky Chen	08/16/22		PART NO.	TS-A09Sx-xx-S126
APPROVED BY:	DATE	SCALE	1 : 1	
Tony Kao	08/16/22	SHEET NO.	1 of 1	

SIZE A4
VER R8