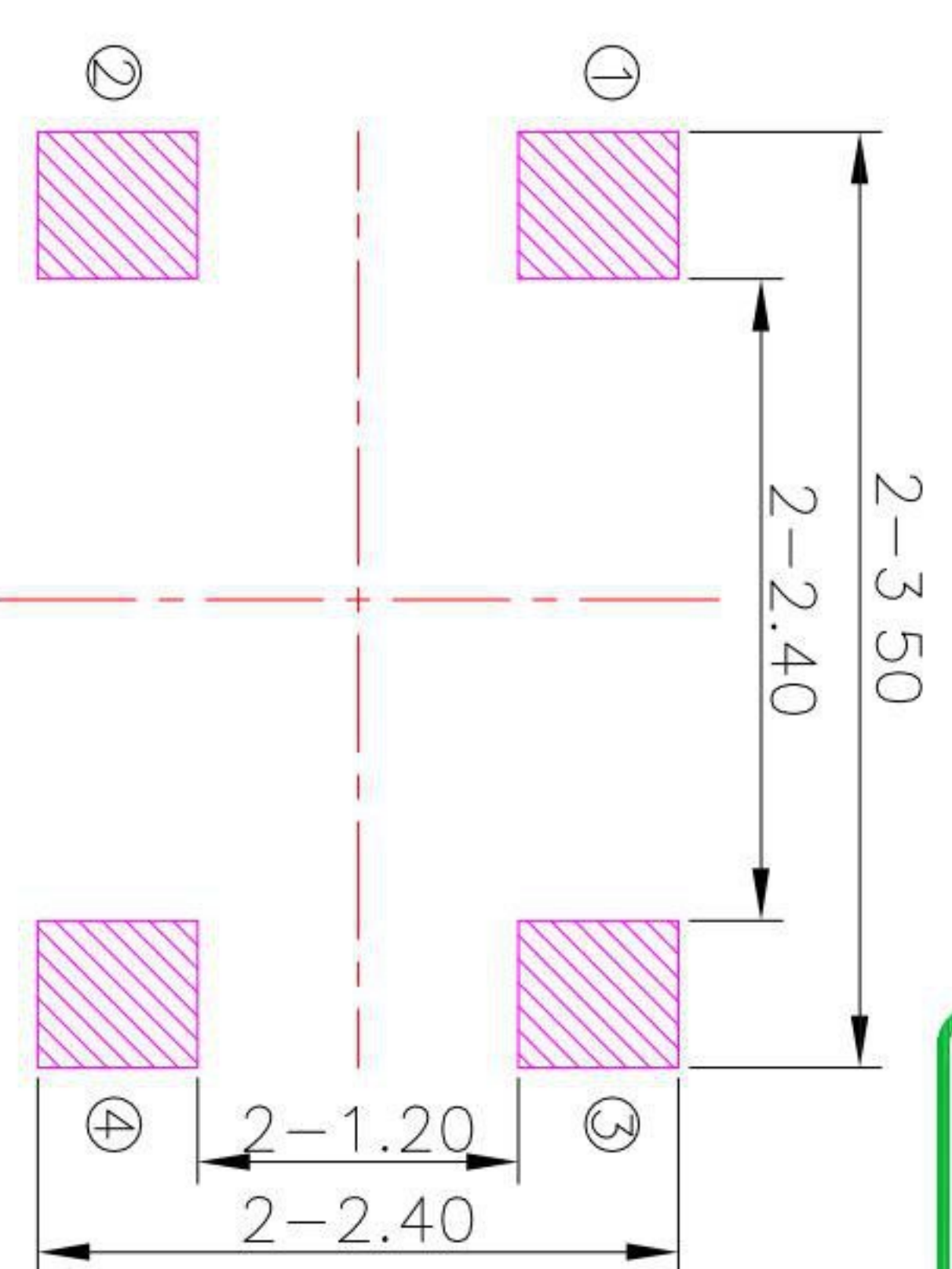
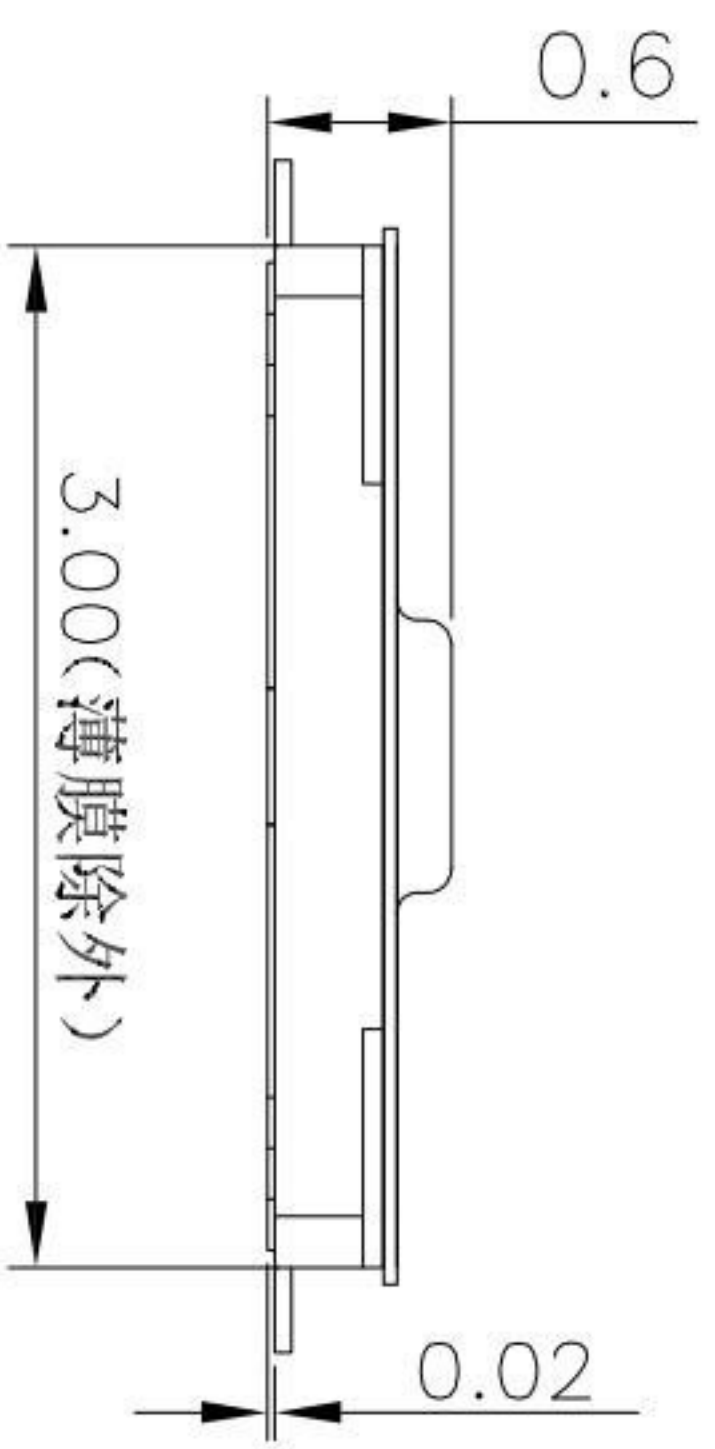
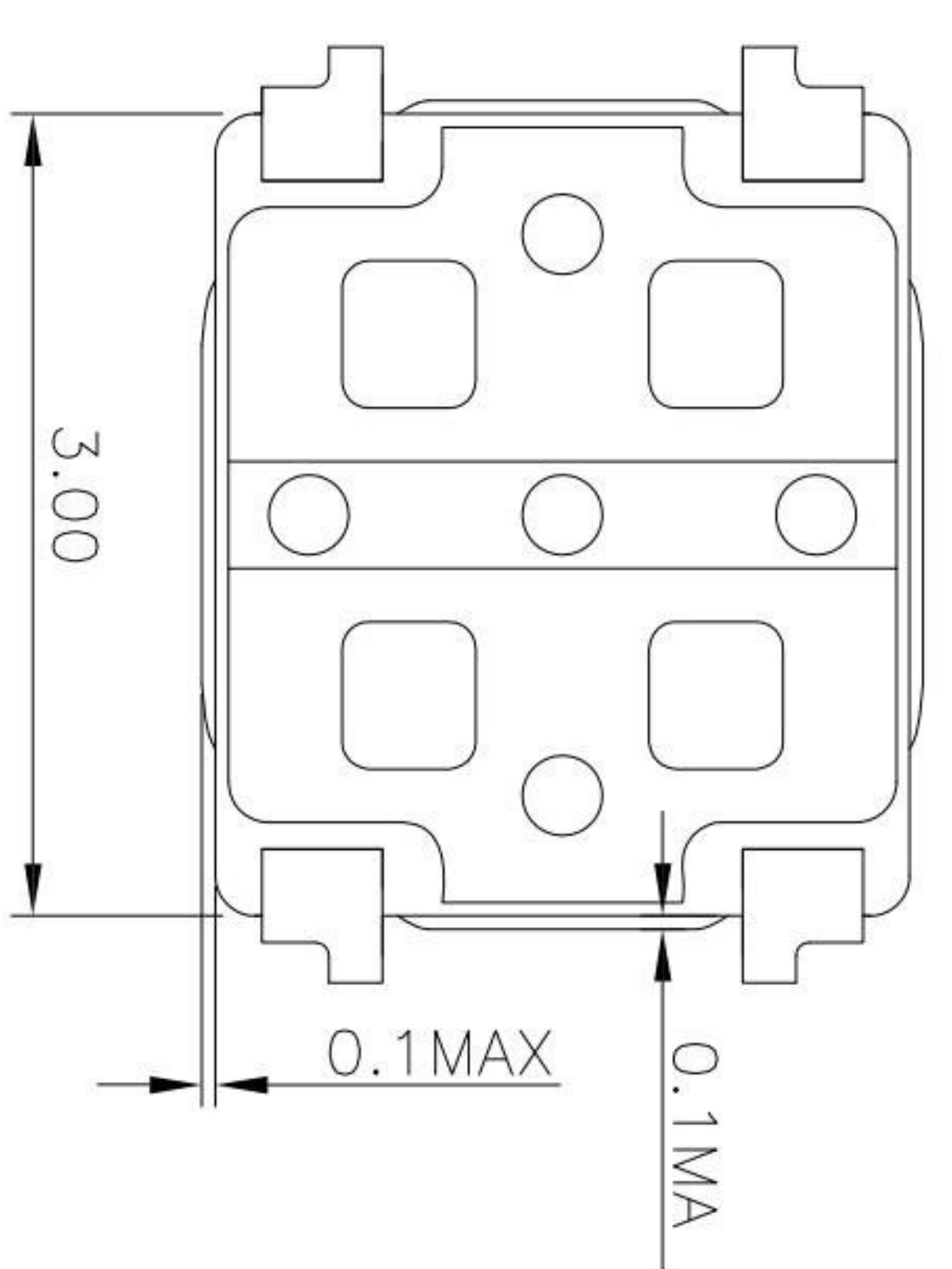


CIRCUIT DIAGRAM



P.C.B LAND PATTERN



SPECIFICATIONS

Rating	50mA 12V DC
Insulation Resistance	100MΩ Min.
Dielectric Withstanding Voltage	AC 250 V
Contact Resistance	100mΩ Max.
Travel	0.13±0.05mm
Operating Force	2 180 ± 50gf 3 260 ± 50gf
Operating Life(cycles)	300,000

NO.	DESCRIPTION	QTY	MATERIAL	PLATING
E	STEM	1	POLYAMIDE(Black)	
D	FILM	1	POLYAMIDE(White)	
C	CONTACT	1	SUS	Ag plated
B	BASE	1	POLYAMIDE(Black)	
A	THERMINAL	4	PHOSPHOR BRONZE	Ag plated
				PLATING

ITEM NO.	A	B	C	D	E	F	G	H	I	J
DESCRIPTION	新增尺寸及Travel规格	Jack	082721	DATE	082721	DATE	082721	DATE	082721	DATE
DRAWN	Jack	082721	DATE	082721	DATE	082721	DATE	082721	DATE	082721

CONTACT 建倚科技股份有限公司
CONTACT TECHNOLOGY CORP.

TOLERANCE UNLESS OTHERWISE STATED:
Up to 5 ±0.2
Above 5 ~ 15 ±0.3
Above 15 ~ 30 ±0.4
Above 30 ~ 50 ±0.5
Angle ±0.3°
3RD. ANGEL'S
UNITS MM

DRAWN BY:	Jack Lu	DATE	08/27/21	TITLE	SWITCH
CHECKED BY:	Jacky Chen	DATE	08/27/21	MODLE	TACT SWITCH
APPROVED BY:	Tony Kao	DATE	08/27/21	DWG. NO.	TS-A23A-x-S410
				PART NO.	TS-A23A-x-S410
				SHEET NO.	1 of 1
				SCALE	1 : 1
				FINISH	
				MATL.	