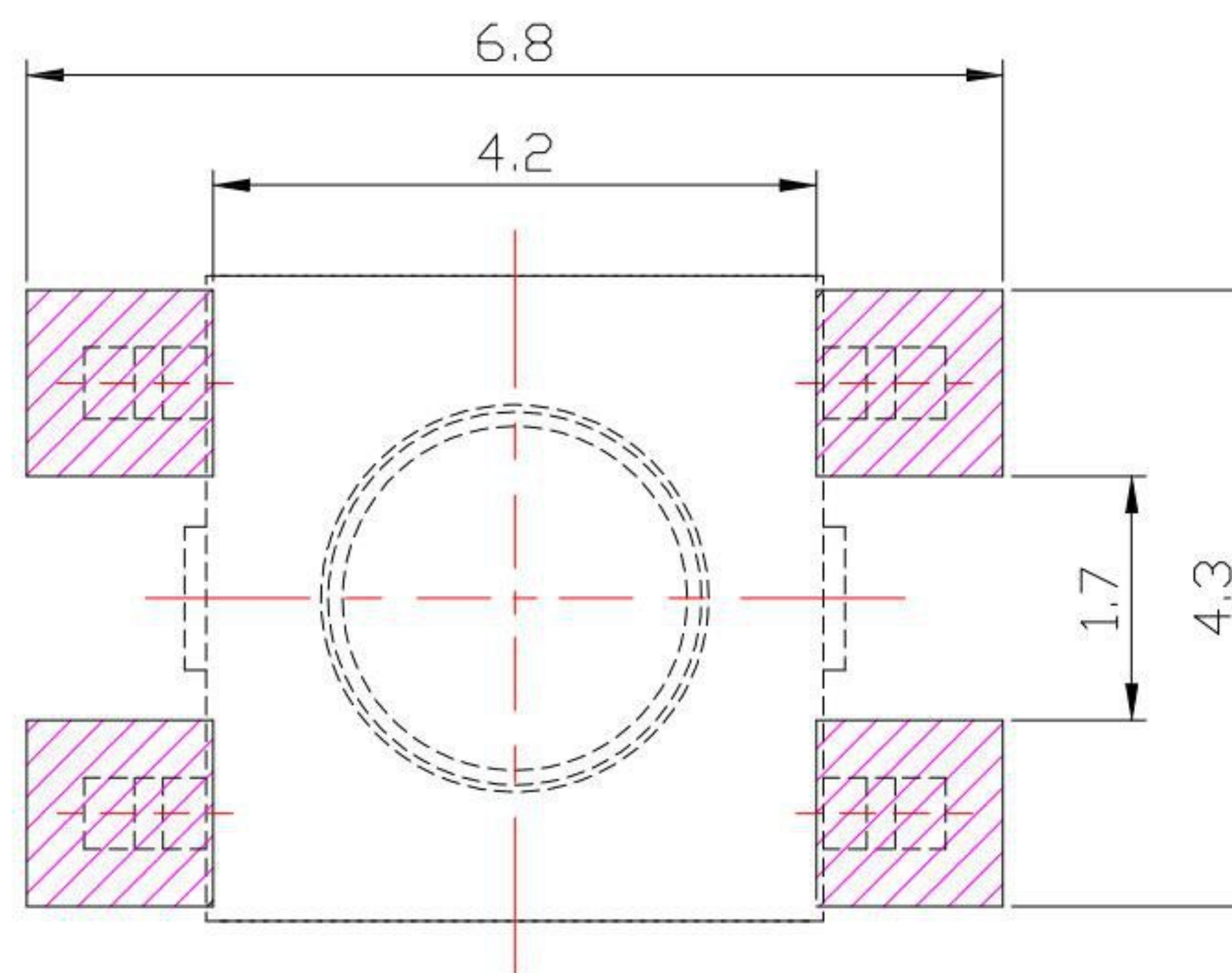
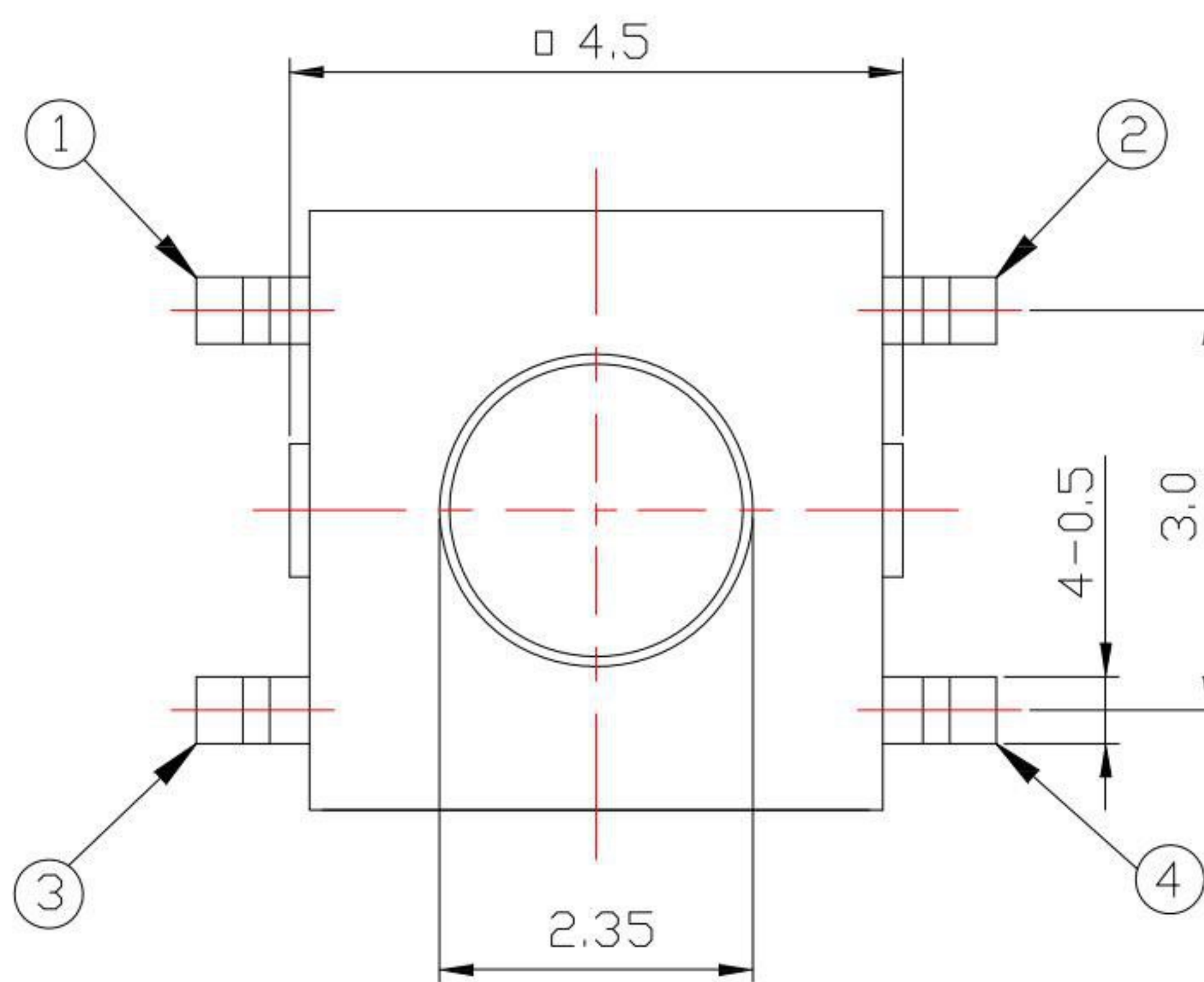
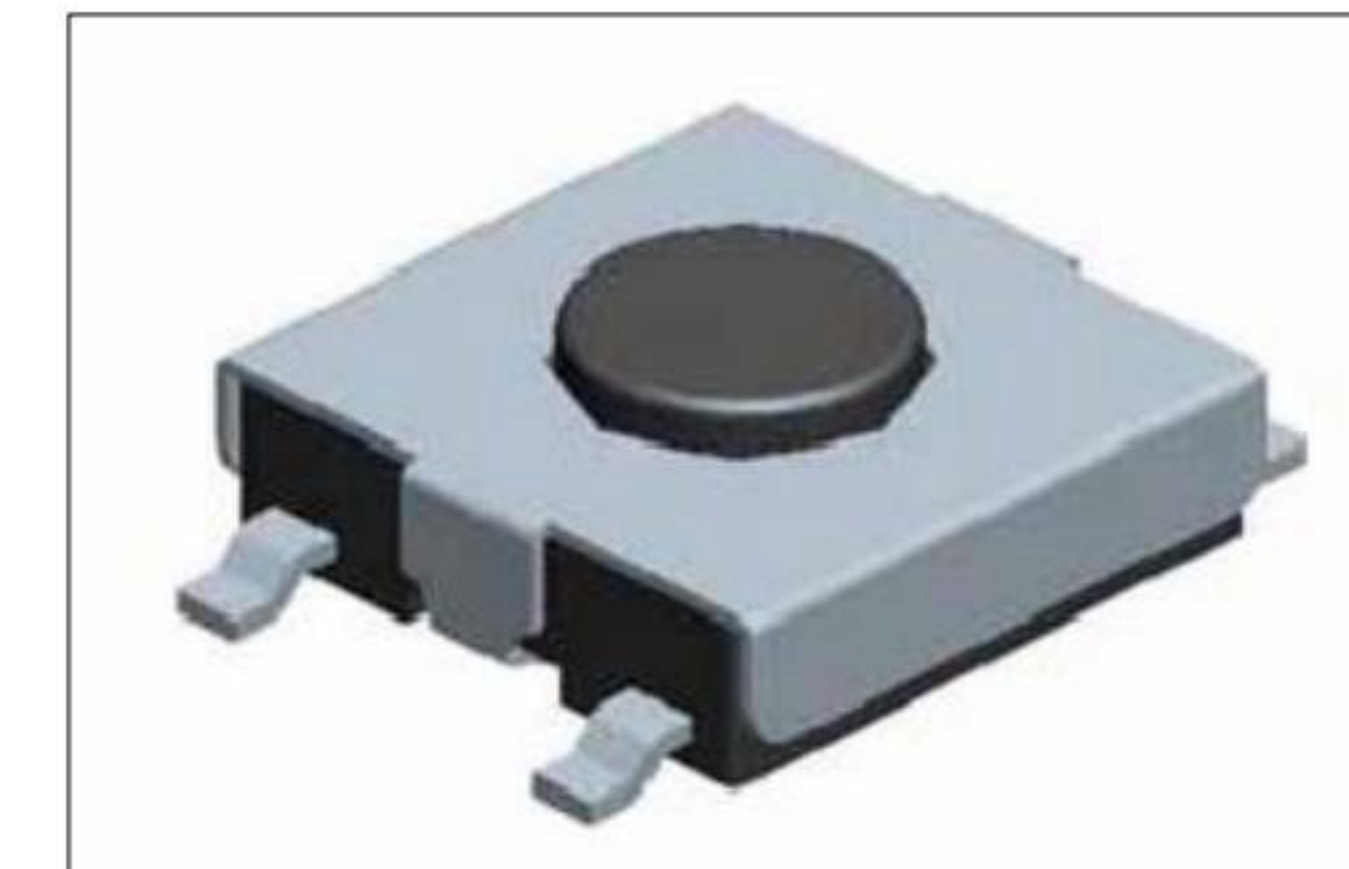


CIRCUIT DIAGRAM



P.C.B LAND PATTERN

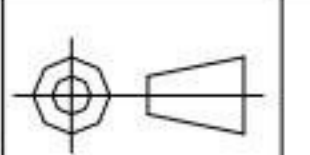
SPECIFICATIONS

Rating	DC 12V 50mA		
Circuit	1C - 1P		
Contact Resistance	100mΩ Max.		
Travel	0.2 ± 0.1mm		
Operating Force	2	160 ± 50gf	3 250 ± 50gf
Operating Life (cycles)	100,000		

**KSD** 科斯达电子科技有限公司  
 SWITCH CONNECTOR KSD ELECTRONIC TECHNOLOGY Co., LTD  
 全球 互联零组件制造企业

TOLERANCE UNLESS OTHERWISE STATED:  
 Up to 5 ±0.2  
 Above 5 ~ 15 ±0.3  
 Above 15 ~ 30 ±0.4  
 Above 30 ~ 50 ±0.5  
 Angle ±0.3°

3RD. ANGEL'S



UNITS MM

DRAWN BY: Jack Lu  
 CHECKED BY: Jacky Chen  
 APPROVED BY: Tony Kao  
 DATE: 08/03/15

MAT'L	TITLE	SWITCH
FINISH	MODLE	TACT SWITCH
SCALE 1:1	DWG NO.	TS-A27-x-S126
SHEET NO. 1 of 1	PART NO.	TS-A27-x-S126

SIZE A4  
 VER R1

1	更新圖面	Jack	080315
ITEM NO.	DESCRIPTION	DRAWN	DATE