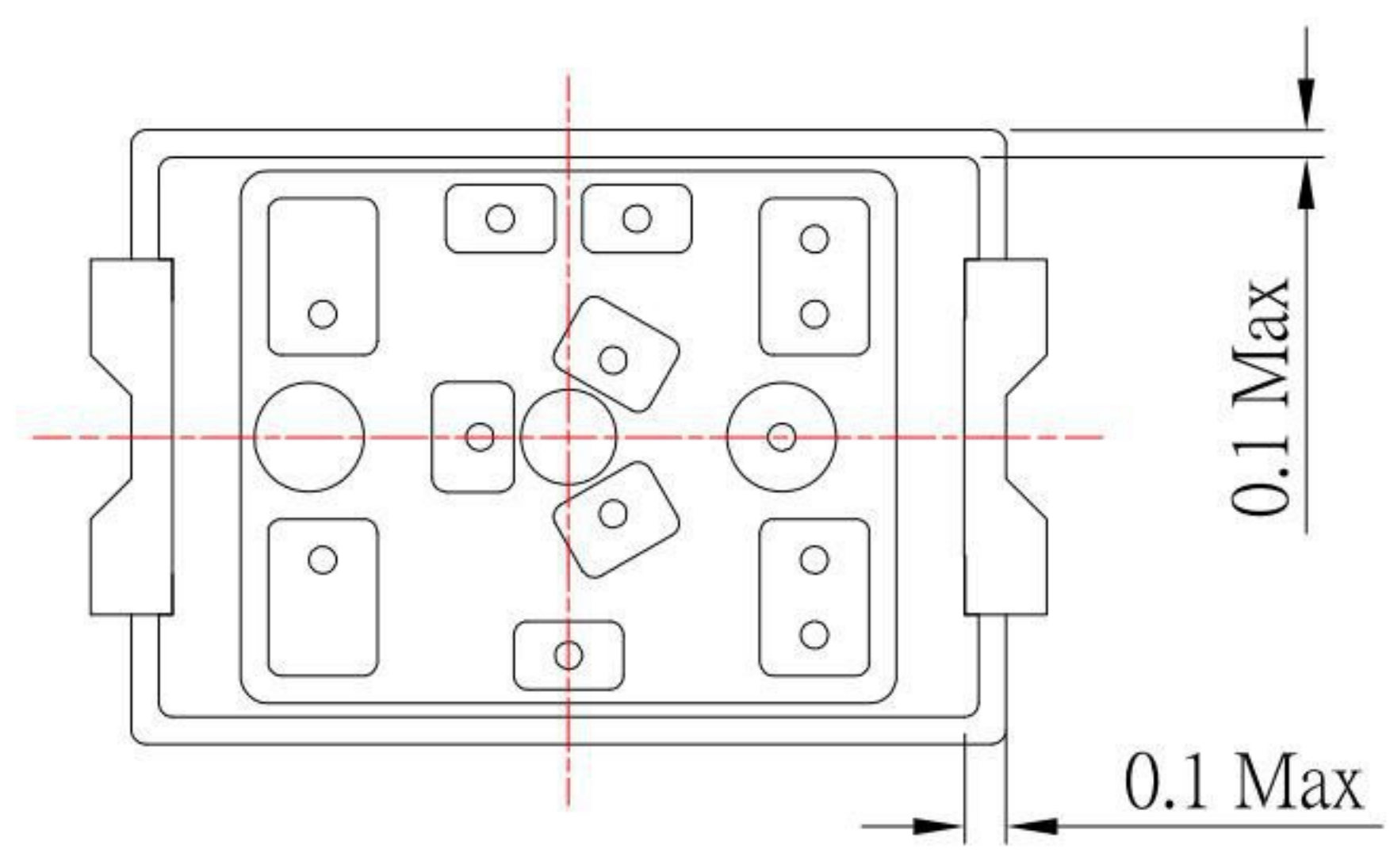
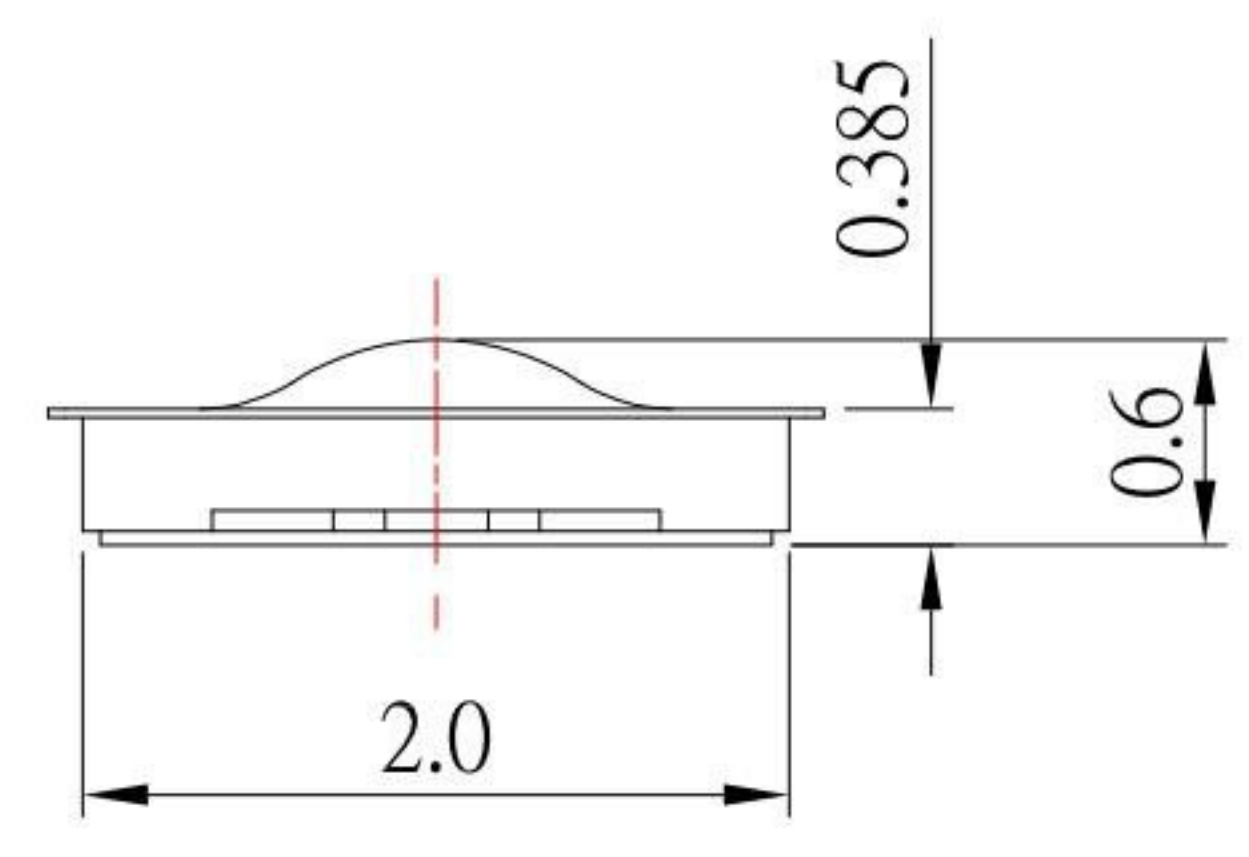
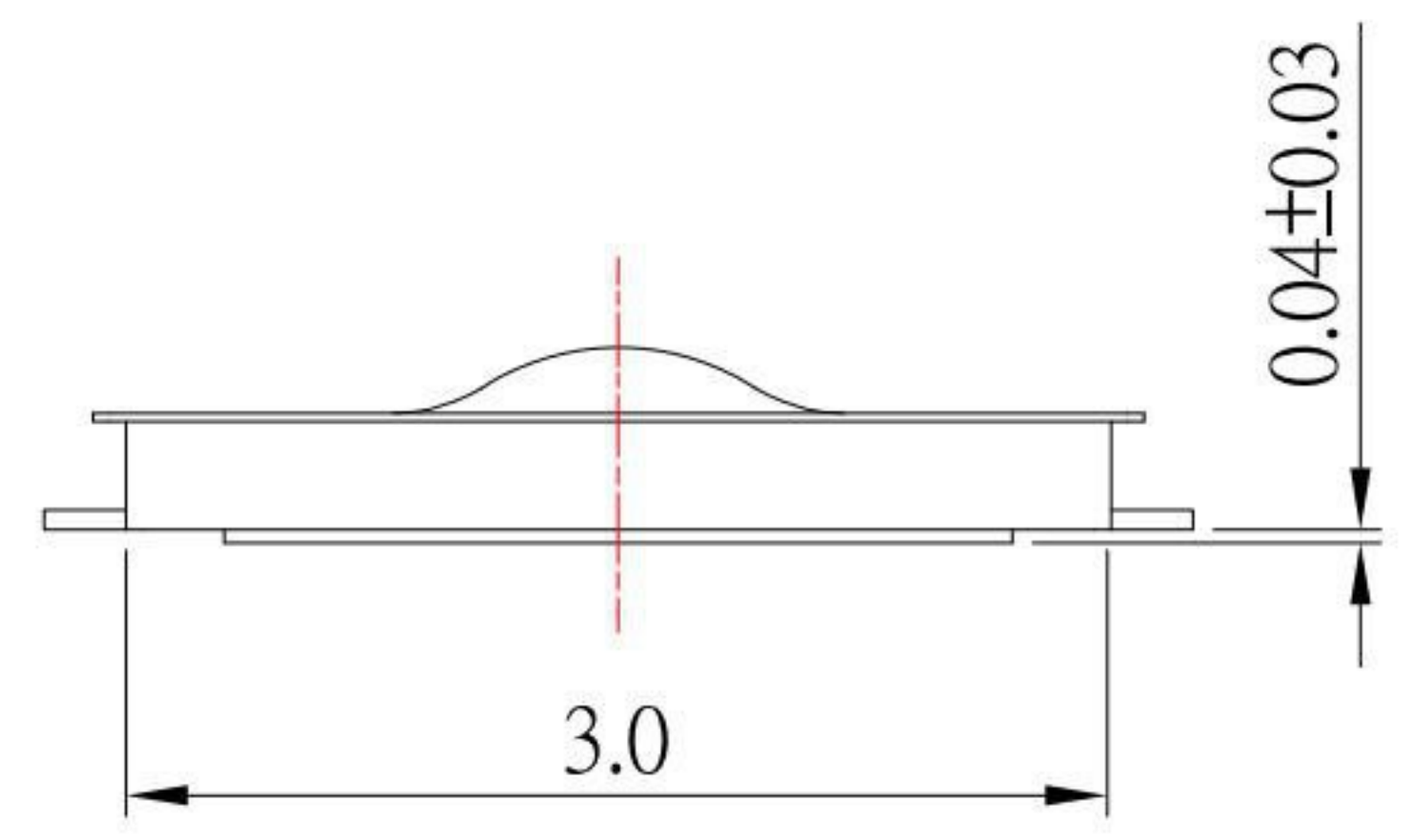
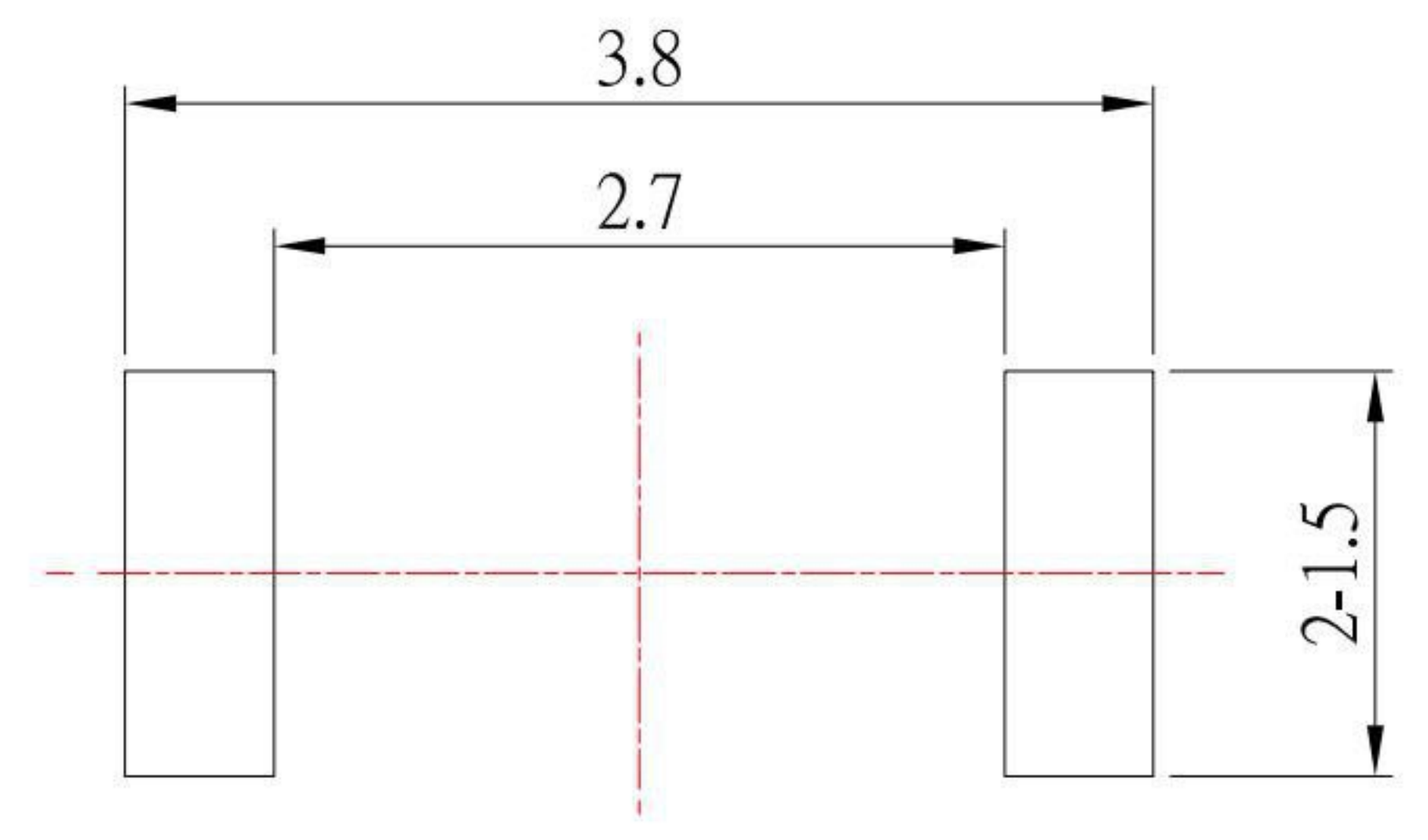
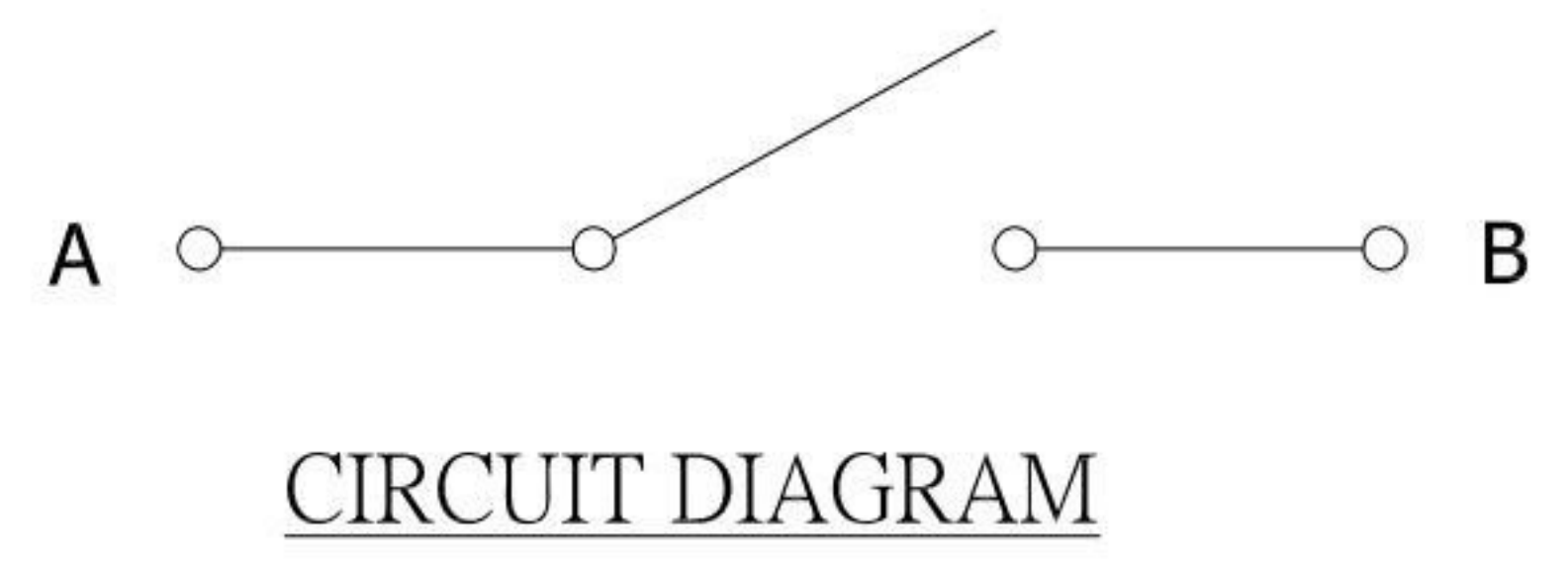
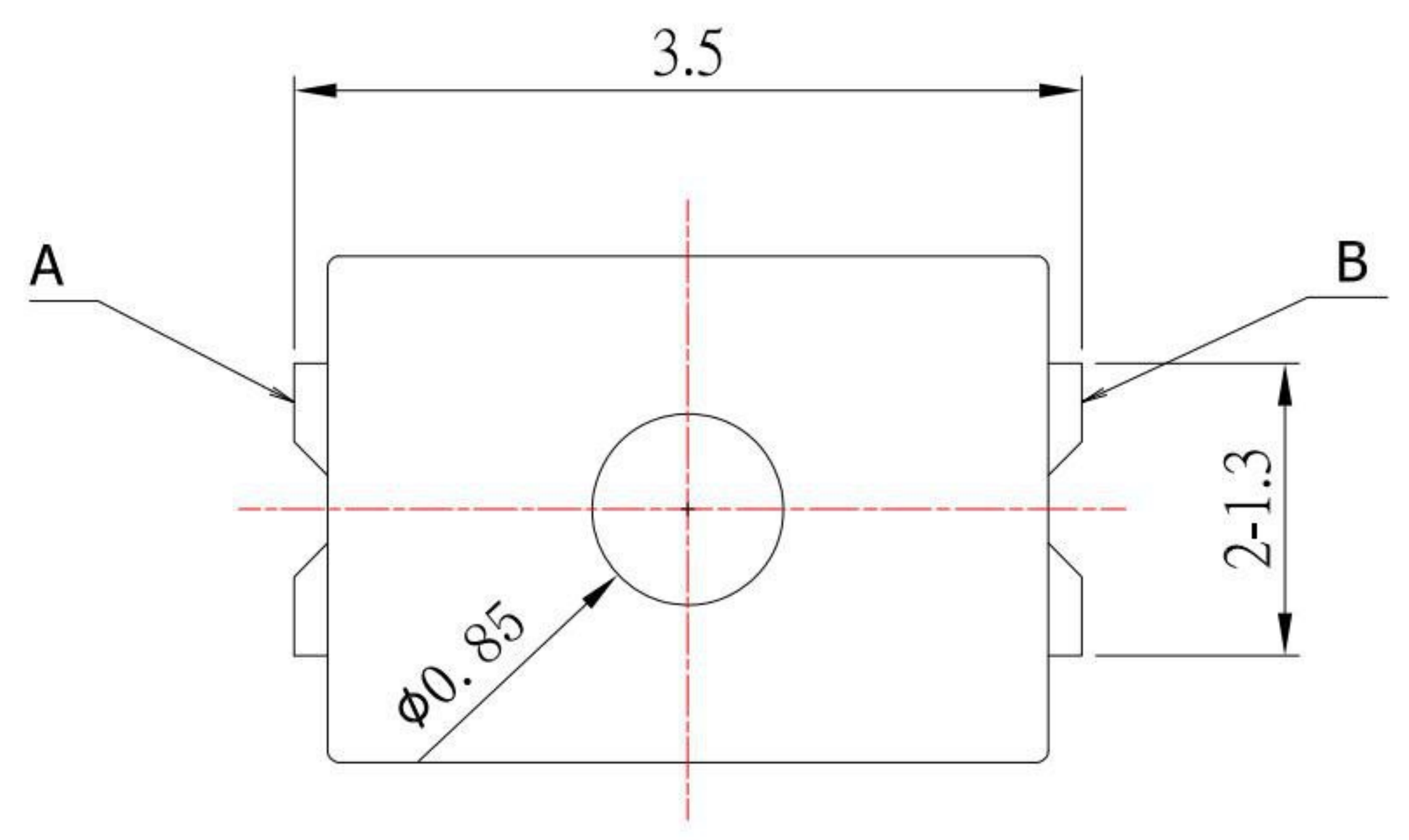


IP67



SPECIFICATIONS

Rating	DC 15V 20mA	
Contact Resistance	500mΩ Max.	
Travel	0.13 ± 0.1mm	
Operating Force	3 240 ± 70gf	4 330 ± 70gf
Operating Life (cycles)	500,000	300,000

5	更新尺寸	Jack	061919
4	新增尺寸公差	Jack	061418
3	IP67標示位置更新	Jack	091417
2	更新尺寸	Jack	081816
1	新增Water-proof level	Jack	081616
ITEM NO.	DESCRIPTION	DRAWN	DATE

KSD 科斯达电子科技有限公司
 SWITCH CONNECTOR KSD ELECTRONIC TECHNOLOGY Co., LTD
 全球 互联零组件制造企业

TOLERANCE UNLESS OTHERWISE STATED:

Up to 5	±0.2
Above 5 ~ 15	±0.3
Above 15 ~ 30	±0.4
Above 30 ~ 50	±0.5
Angle	±0.3°

3RD. ANGEL'S

UNITS MM

DRAWN BY:	DATE	MAT'L	TITLE	SWITCH
Jack Lu	06/19/18			
CHECKED BY:	DATE	FINISH	MODLE	TACT SWITCH(内置按钮)for Waterproof
Jacky Chen	06/19/18			
APPROVED BY:	DATE	SCALE	DWG NO.	TS-A29A-x-S048
Tony Kao	06/19/18	1:1		
SHEET NO.	1 of 1	PART NO.	TS-A29A-x-S048	SIZE A4
				VER R5