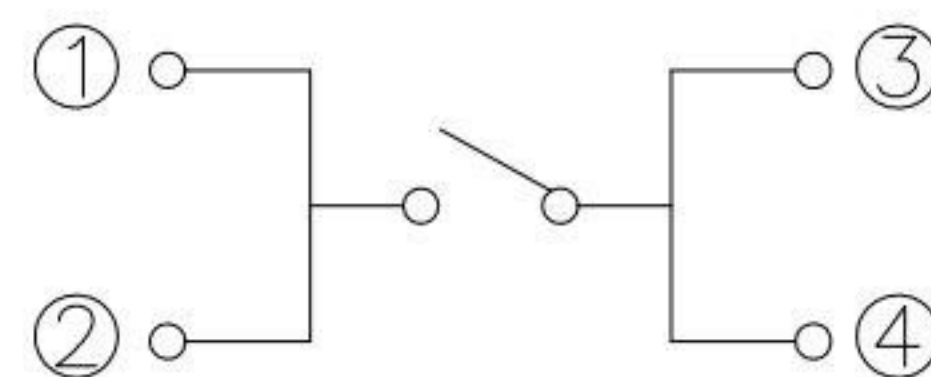
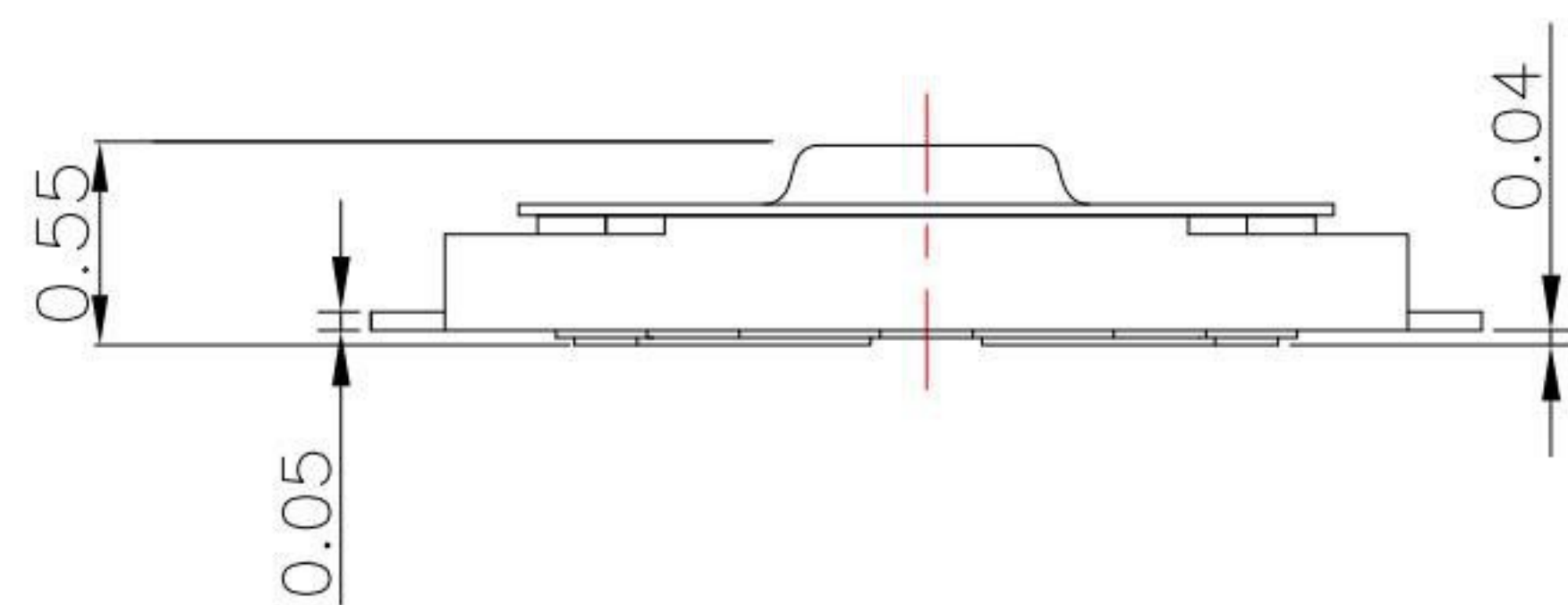


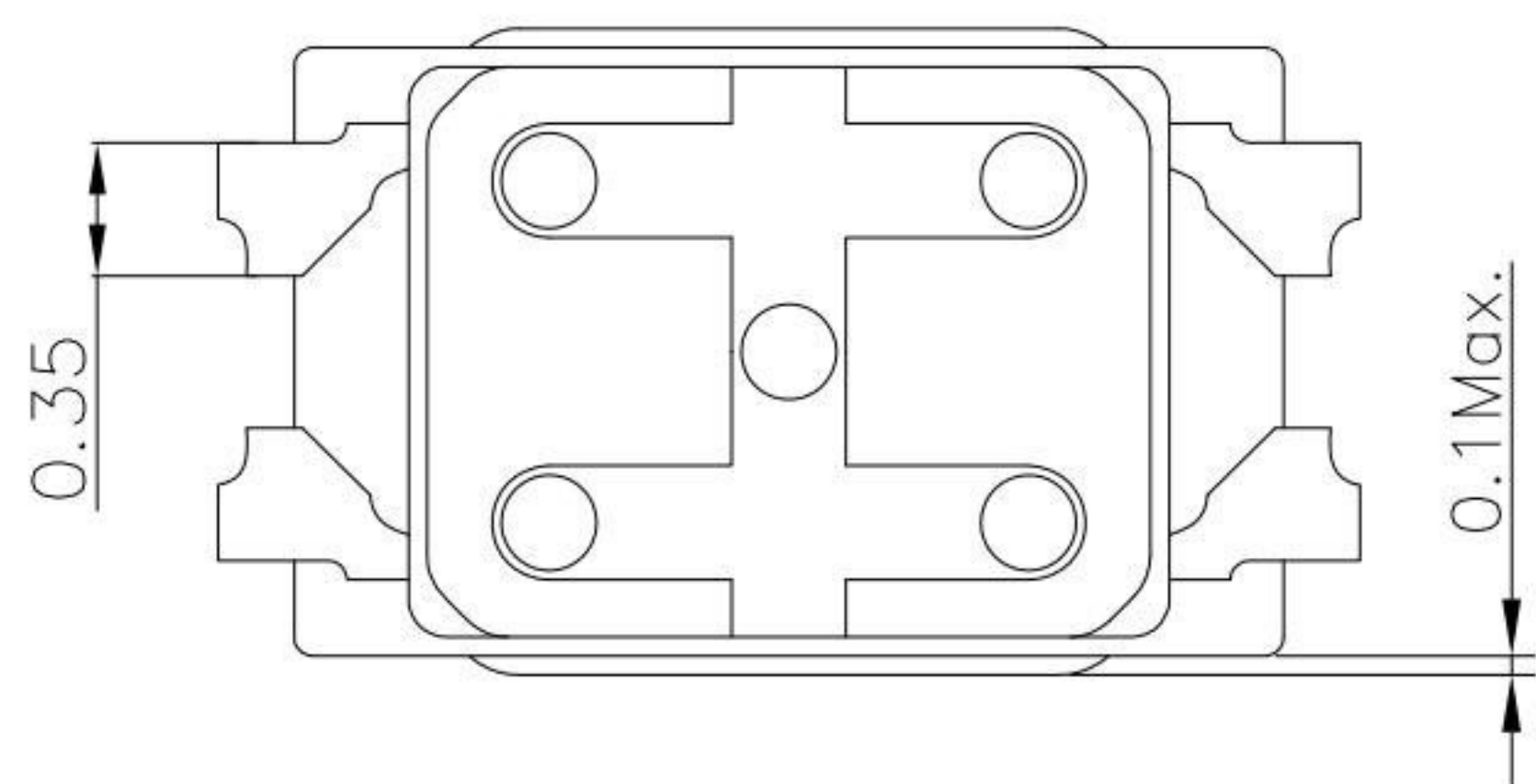
P.C.B LAND PATTERN



CIRCUIT DIAGRAM

SPECIFICATIONS

Rating	50mA 12V DC
Travel	0.13±0.05mm
Dielectric Withstanding Voltage	AC 250 V
Contact Resistance	100mΩ Max.
Operating Force	2 160 ± 50gf 3 260 ± 50gf
Operating Life(cycles)	200,000

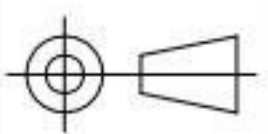


NO.	DESCRIPTION	QTY	MATERIAL	PLATING
E	STEM	1	PA9T(Black)	
D	DUSTPROOF FILM	1	PA9T(White)	
C	CONTACT	1	SUS	Ag plated
B	BASE	1	PA9T(Black)	
A	THERMINAL	4	PHOSPHOR BRONZE	Ag plated

KSD 科斯达电子科技有限公司
 SWITCH CONNECTOR KSD ELECTRONIC TECHNOLOGY Co., LTD
 全球 互联零组件制造企业

TOLERANCE UNLESS OTHERWISE STATED:
 Up to 5 ±0.2
 Above 5 ~ 15 ±0.3
 Above 15 ~ 30 ±0.4
 Above 30 ~ 50 ±0.5
 Angle ±0.3°

3RD. ANGEL'S



UNITS

MM

DRAWN BY: Jack Lu
 CHECKED BY: Jacky Chen
 APPROVED BY: Tony Kao

DATE: 04/22/22
 DATE: 04/22/22
 DATE: 04/22/22

MAT'L
 FINISH
 SCALE: 1:1
 SHEET NO.: 1 of 1

TITLE: SWITCH
 MODLE: TACT SWITCH
 DWG NO.: TS-A30-x-S410
 PART NO.: TS-A30-x-S410

SIZE: A4
 VER: R1

ITEM NO.	DESCRIPTION	DRAWN	DATE
1	更新材質和Travel	Jack	042222